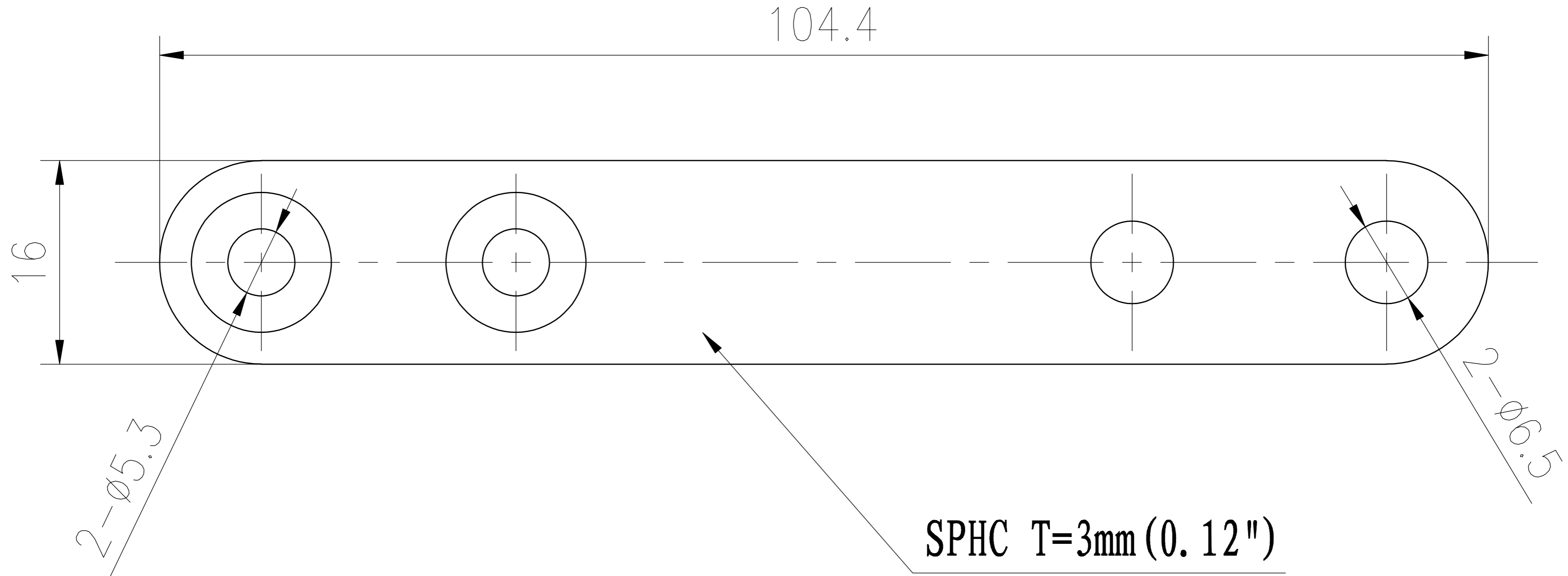


NOTE: ALL MATERIAL COMPLIANT ROHS STANDARD

REVISION INFORMATION

Rev.	Rev. Date	Modified By	Brief Description



1. MATERIAL: SPHC T=3
2. SURFACE : BLACK PAINTING
3. PACKING : 1PC/WHITE CARTON
4. FITTING : 8PCS M5\*12Philips countersunk head screw  
8PCS M5 TYPE-T NYLOC NUT



DRAWN BY	DATE: 2012/09/11	DESCRIPTION: 200mm Adapter for 502829/502839		
CHECKED BY	SHEET 1 of 1	ITEM NO. 502833		
APPROVED BY	SCALE 1:1	REV. 00	UNIT: mm	