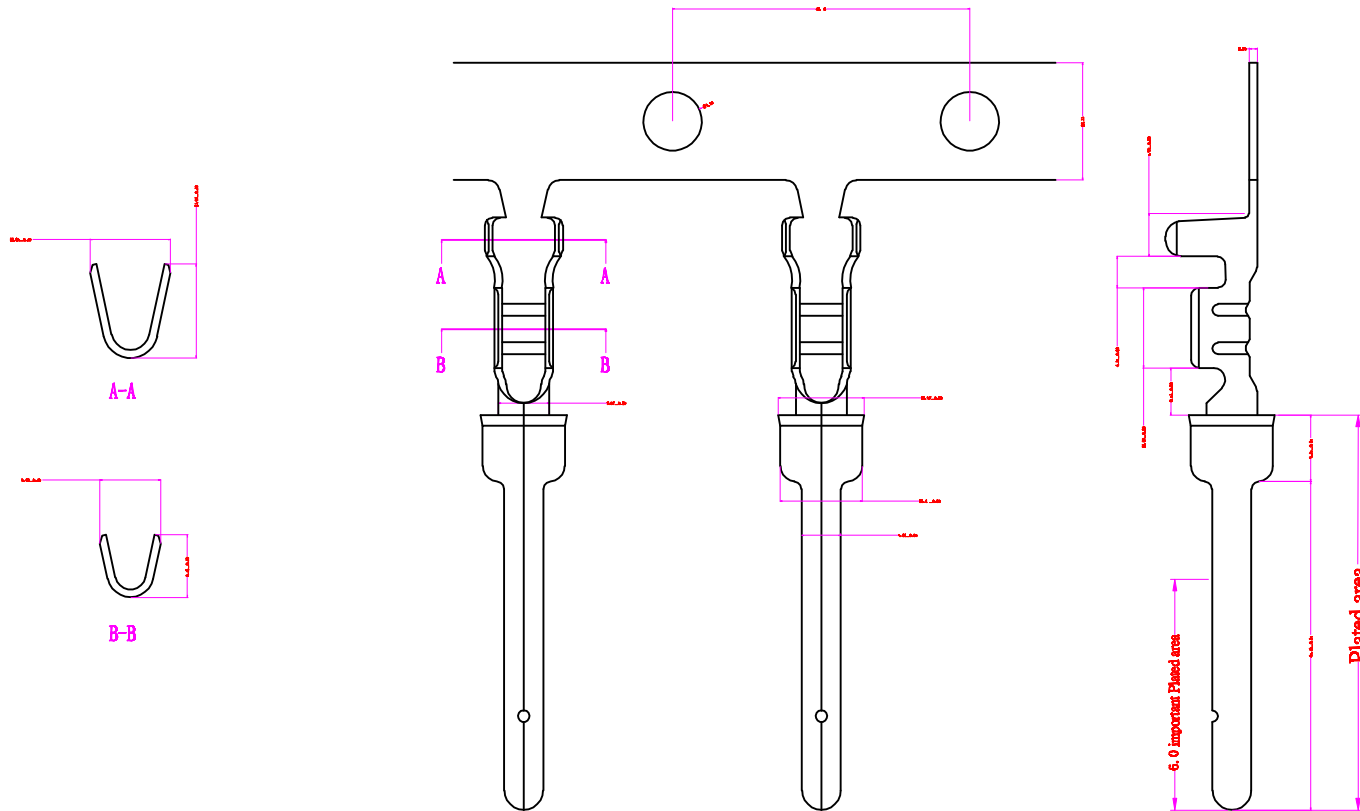


Rev.	Rev. Date	Modified By	Brief Description



Remark:

1. material:brass Plate T=0.2±0.02MM;
2. Plating:see the Plating format

XX	Plating	XX	Plating	XX	Plating
//	Source material	04	front gold,back nickel	09	front 15u"back tin
00	nickel	05	front gold,back nickel	10	front 30u"gold,back tin
01	tin	06	front 3u"gold back tin	11	front 50u"gold,back tin
02	gold	07	front 5u"gold,back tin		
03	gold	08	front 10u"gold back tin		

TOLERANCE mm	
x.	± 0.20
x.x	± 0.10
x.xx	± 0.05
x.xxx	± 0.03
ANGULAR	± 1°

BestLinkNetworkware

DRAWN BY	DATE: 2012/7/6	DESCRIPTION: male pin for D-Sub connector	
CHECKED BY	SHEET 1 of 1	ITEM NO. 273120	
APPROVED BY	SCALE 1:1	REV. 00	UNIT: mm