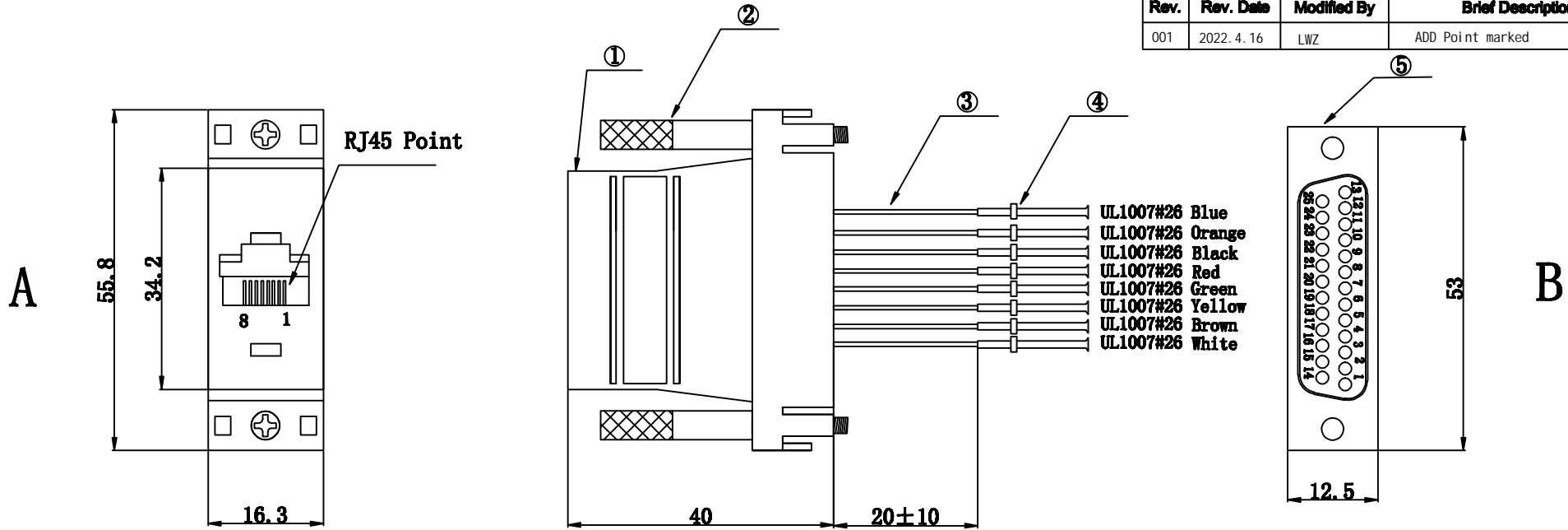


NOTE: ALL MATERIAL COMPLIANT ROHS STANDARD

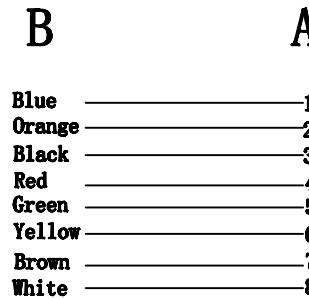
REVISION INFORMATION			
Rev.	Rev. Date	Modified By	Brief Description
001	2022.4.16	LWZ	ADD Point marked



Material:

- ①: RJ45 Shell: ABS, IVORY; ROHS
- ②: Screw: M4*37MM Iron, Surface with nickel; ROHS
- ③: Terminal: 1.0F, Phosphor bronze With half gold; ROHS
- ④: Cable: UL1007#26 TC; ROHS
- ⑤: DB Connector: DB25PINF, Female comector, black hosing. ROHS

Wire point



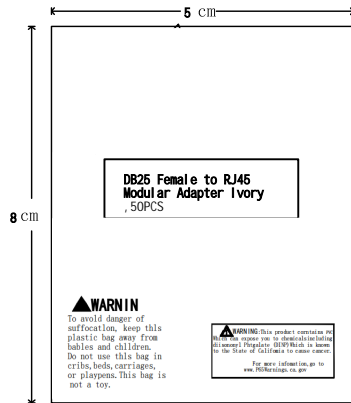
NO.	PART NAME	SPECIFICATION DESCRIPTION	QTY	UNIT
③				
②				
①				

DRAWN BY	DATE: 2022.4.16	DESCRIPTION: DB25 Female to RJ45 Modular Adapter Ivory
CHECKED BY	SHEET 1 of 1	ITEM NO. 272008
APPROVED BY	SCALE 1:1	REV. 00 UNIT: mm

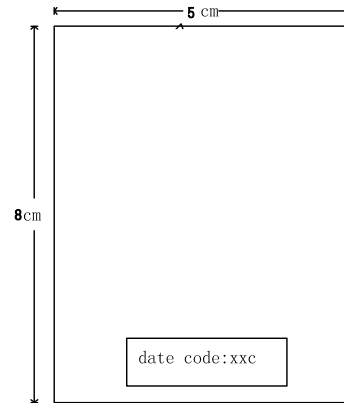
NOTE: CARTON MATERIAL MUST BE A=A

REVISION INFORMATION			
Rev.	Rev. Date	Modified By	Brief Description
001	2022.4.16	LWZ	PACKAGE

front side



behind side



Bag Material: Poly Ethylene

Print content

Side Mark

RoHS Compliant

P/N: **272008**

Q' TY: **600** PCS

N. W. : **14** KGS

G. W. : **14.8** KGS

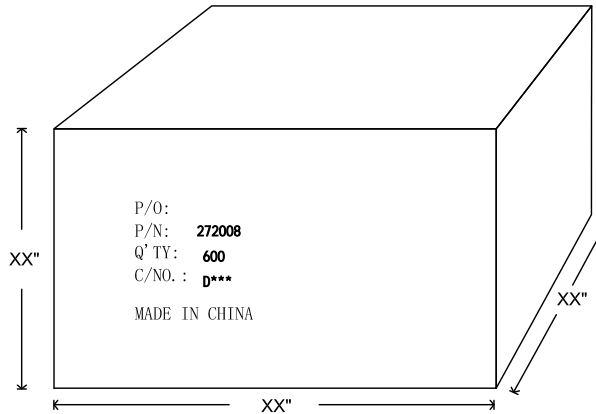
Date Code: XX-XXXX

Vender Code: PS00523

Main Mark

P/O:
P/N: **272008**
Q' TY: **600**
C/NO. : Dxxx

MADE IN CHINA



Carton Size: 21.26*14.57*8.67
 Carton Quantity: **600** PCS
 Carton Weight: 36.96LBS

BESTLINK			
NETWORKARE			
DRAWN BY	DATE: 2022.4.16	DESCRIPTION: DB25 Female to RJ45 Modular Adapter Ivory	
CHECKED BY	SHEET 1 of 1	ITEM NO. 272008	
APPROVED BY	SCALE 1:1	REV. 00	UNIT: mm