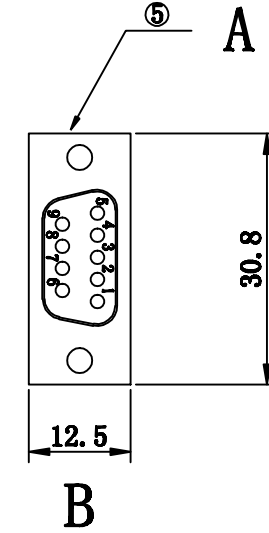
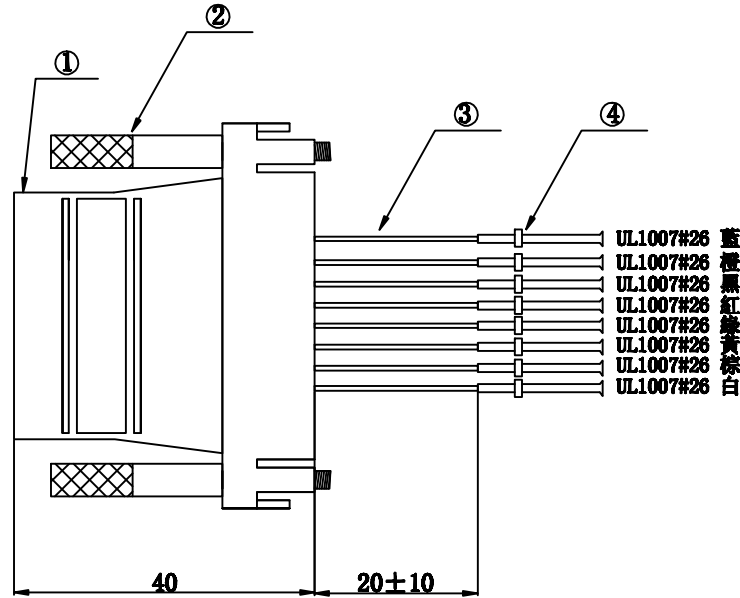
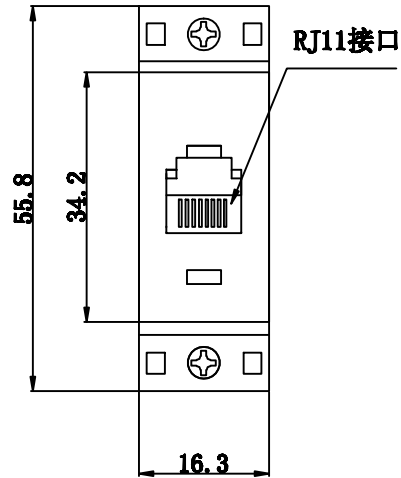


NOTE: ALL MATERIAL COMPLIANT ROHS STANDARD

REVISION INFORMATION			
Rev.	Rev. Date	Modified By	Brief Description



material:

- ① RJ45 out shell, 8P8C/ABS/ivory, ROHS
- ② screw: M4\*37MM, nickel-plated;
- ③ terminal: 1.0 female, half gold-plated;
- ④ WIER: UL1007#26 TC; ROHS
- ⑤ DB CONNECTOR: DB9PIN MALE, SOLDER FRONT NICKEL, BEHIND TIN, BLACK HOUSING. ROHS

- BLUE ————— 1
- ORANGE ————— 2
- BLACK ————— 3
- RED ————— 4
- GREEN ————— 5
- YELLOW ————— 6
- BROWN ————— 7
- WHITE ————— 8



③				
②				
①				
NO.	PART NAME	SPECIFICATION DESCRIPTION	QTY	UNIT

DRAWN BY	DATE: 2012/09/07	DESCRIPTION: RJ11-9F
CHECKED BY	SHEET 1 of 1	ITEM NO. 272002
APPROVED BY	SCALE 1:1	REV. 00 UNIT: mm