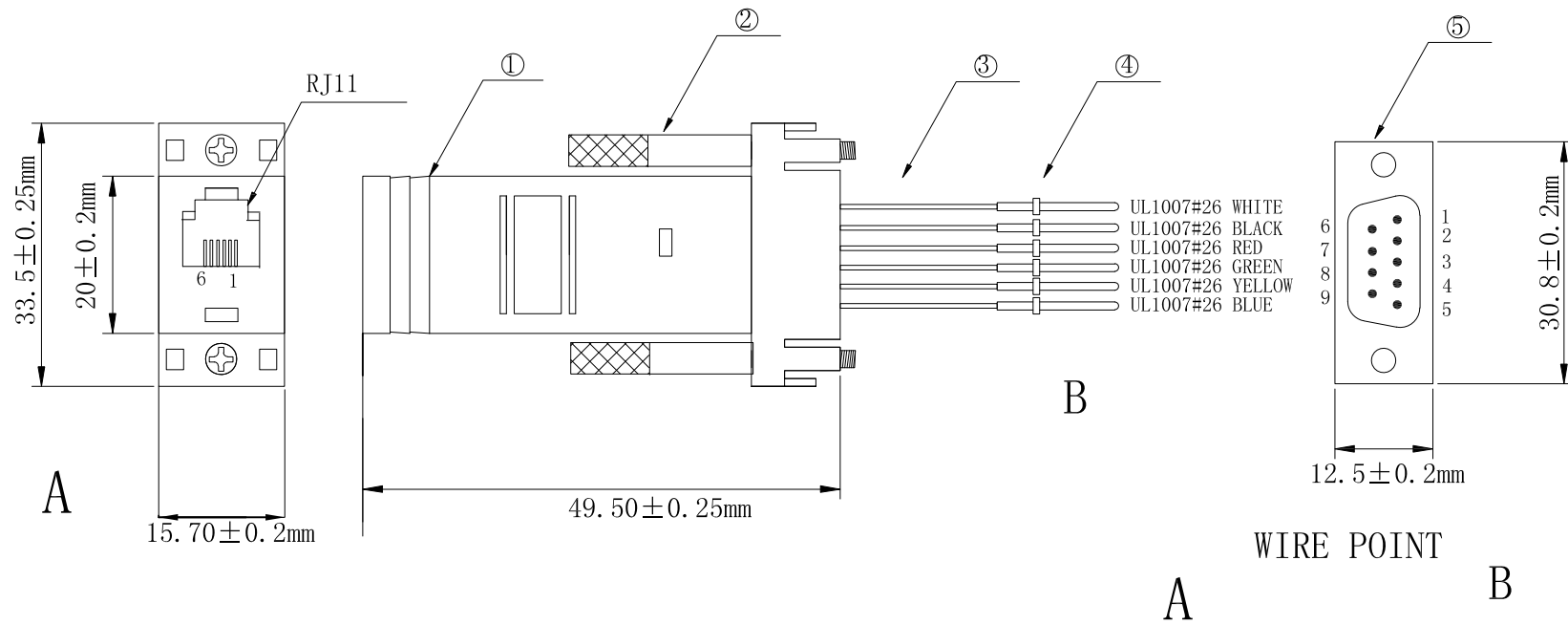


NOTE: ALL MATERIAL COMPLIANT ROHS STANDARD

REVISION INFORMATION			
Rev.	Rev. Date	Modified By	Brief Description



material:

- ① RJ11 out shell, ABS/ivory, ROHS
- ② screw: M4\*37MM , nickel-plated in surface;
- ③ terminal: 1.0 male, Phosphor copper half gold plated;
- ④ WIER: UL1007#26 TC; ROHS
- ⑤ DB connector: DB9-Male , Iron shell front nickel, behind tin, black housing.

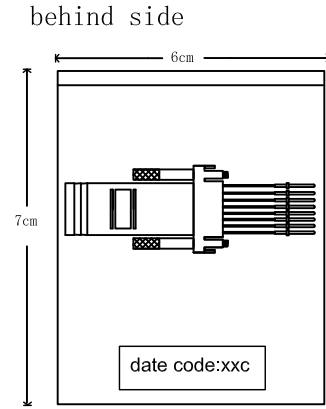
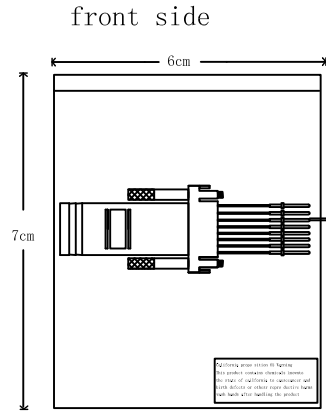
- 1 ————— WHITE
- 2 ————— BLACK
- 3 ————— RED
- 4 ————— GREEN
- 5 ————— YELLOW
- 6 ————— BLUE

NO.	PART NAME	SPECIFICATION DESCRIPTION	QTY	UNIT
③				
②				
①				

DRAWN BY	DATE: 2017.9.26	DESCRIPTION: DB9-Male to RJ11/12 (6 wire) Modular Adapter Ivory
CHECKED BY	SHEET 1 of 1	ITEM NO. 272001
APPROVED BY	SCALE 1:1	REV. 00 UNIT: mm

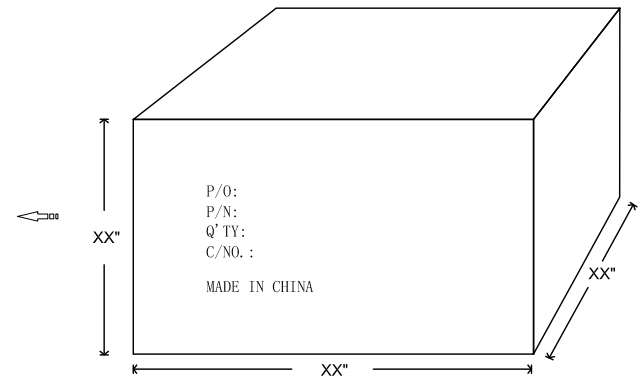
NOTE: CARTON MATERIAL MUST BE A=A

REVISION INFORMATION			
Rev.	Rev. Date	Modified By	Brief Description




Main Mark

P/O:  
P/N: 272001  
Q'TY: 800PCS  
C/NO. : Dxxx  
MADE IN CHINA



Side Mark



P/N: 272001  
Q'TY: 800 PCS  
N. W. : 14.53 KGS  
G. W. : 15.33 KGS  
Date Code: XX-XXXX  
Vender Code: PS00523

Carton Size: 21.26\*14.57\*8.67  
Carton Quantity: 800PCS  
Carton Weight: 33.80LBS

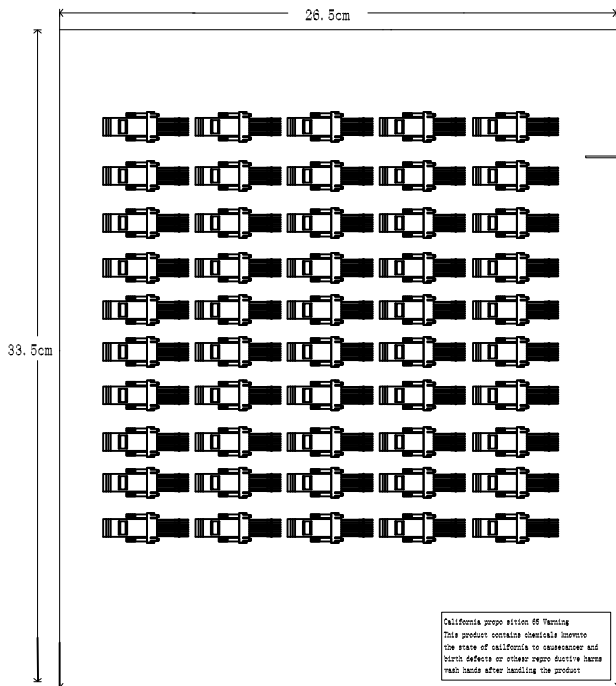


DRAWN BY	DATE 2017.9.26	DESCRIPTION: DB9-Male to RJ11/12 (6 wire) Modular Adapter Ivory
CHECKED BY	SHEET 1 of 1	ITEM NO. 272001
APPROVED BY	SCALE 1:1	REV. 00    UNIT: mm

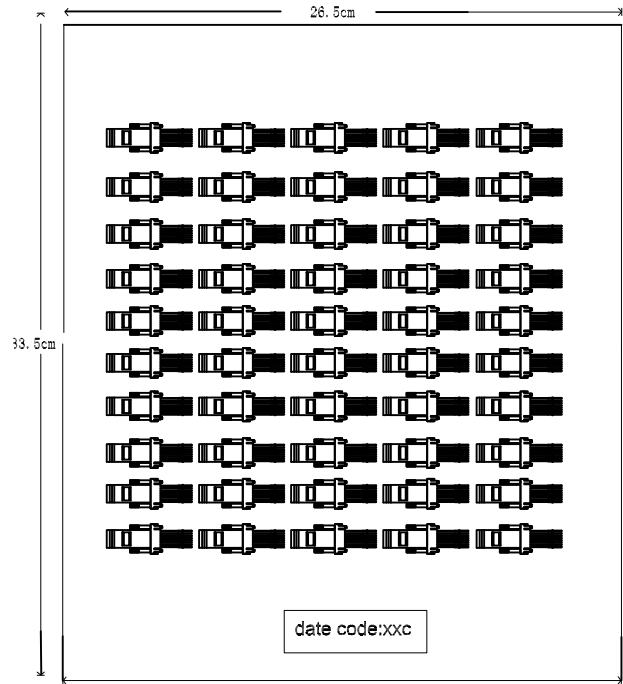
NOTE: CARTON MATERIAL MUST BE A=A

REVISION INFORMATION			
Rev.	Rev. Date	Modified By	Brief Description

front side



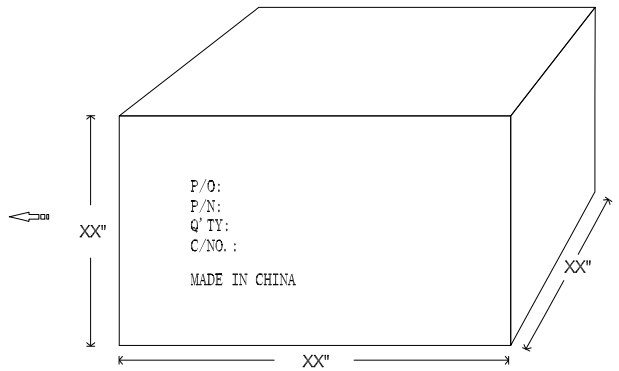
California propo action 66 Warning  
This product contains chemical substance  
the state of California to cause cancer and  
birth defects or other reproductive harm  
read labels after handling the product



Side Mark

Main Mark

P/O:  
P/N: 272001  
Q' TY: 800PCS  
C/NO. : Dxxx  
MADE IN CHINA



Carton Size: 21.26\*14.57\*8.67  
Carton Quantity: 800PCS  
Carton Weight: 33.80LBS



P/N: 272001  
Q' TY: 800 PCS  
N. W. : 14.53 KGS  
G. W. : 15.33 KGS  
Date Code: XX-XXXX  
Vender Code: PS00523



DRAWN BY	DATE 2017. 9. 26	DESCRIPTION: DB9-Male to RJ11/12 (6 wire) Modular Adapter Ivory
CHECKED BY	SHEET 1 of 1	ITEM NO. 272001
APPROVED BY	SCALE 1:1	REV. 00 UNIT:mm