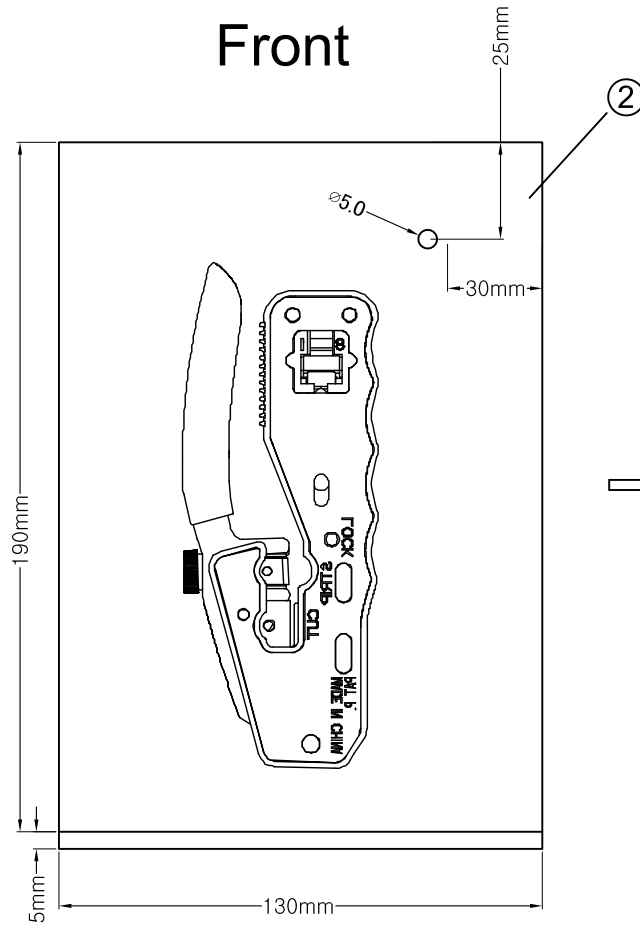


NOTE:ALL MATERIAL COMPLIANT ROHS STANDARD

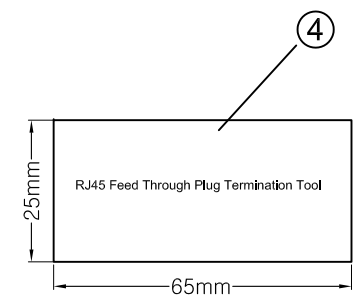
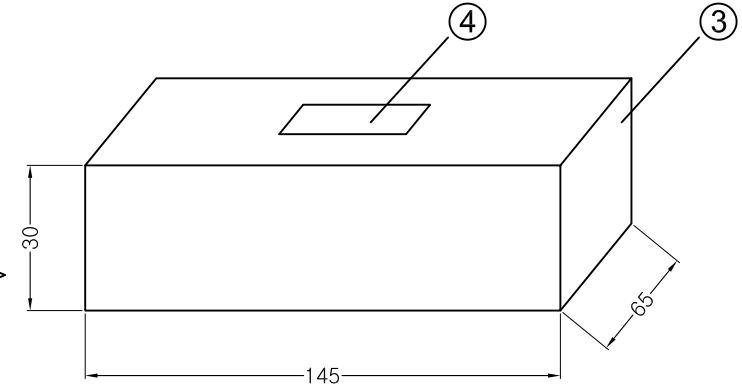
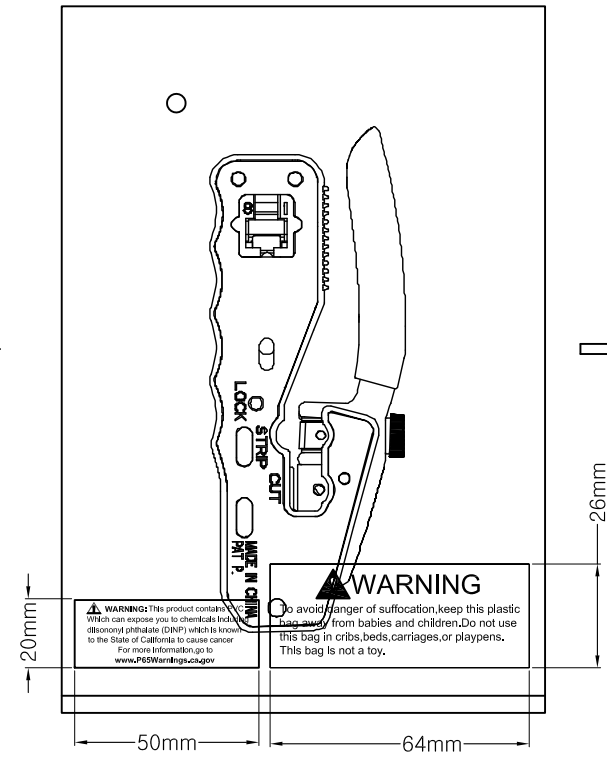
REVISION INFORMATION

Rev.	Rev. Date	Modified By	Brief Description

Front



Back



5	CARTON	600092	CARTON, 310*155*140mm MATERIAL:K=K	0.05PCS
4	LABEL	601618	LABEL 65*25mm,White/Black.	1PCS
3	BOX	/	BOX,145*65*30mm, COLOR:WHITE.	1PCS
2	PE BAG	600340	190*130*0.06mm PE BAG	1PCS
1	Crimping Tool	501024	Crimping Tool,make use of 8P8C Modular Plug,Color:Blue	1PCS
NO	NAME	PART NO.	DESCRIPTION	QTY

DRAWN BY	DATE 2021.05.12	DESCRIPTION: Crimping Tool
CHECKED BY	SHEET 2 of 3	ITEM NO:252045
APPROVED BY	SCALE 1:1	REV:00
	UNIT:mm	

NOTE:ALL MATERIAL COMPLIANT ROHS STANDARD

REVISION INFORMATION

Rev.	Rev. Date	Modified By	Brief Description

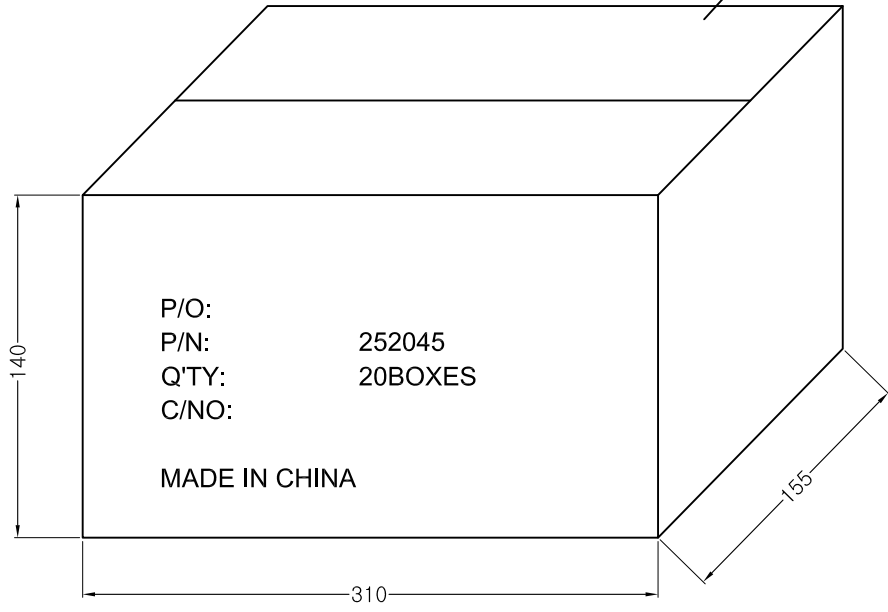
5

Side Mark

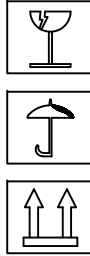
Main Mark

P/O:
P/N: 252045
Q'TY: 20BOXES
C/NO:

MADE IN CHINA



P/N: 252045
Q'TY: 20BOXES
N.W: KGS
G.W: KGS
Date Code:
Vender Code:



Carton Size: 310x155x140MM
Carton Quantity: 20BOXES

20BOXES/CARTON



DRAWN BY	DATE 2021.05.12	DESCRIPTION: Crimping Tool		
CHECKED BY	SHEET 3 of 3	ITEM NO:252045		
APPROVED BY	SCALE 1:1	REV:00	UNIT:mm	