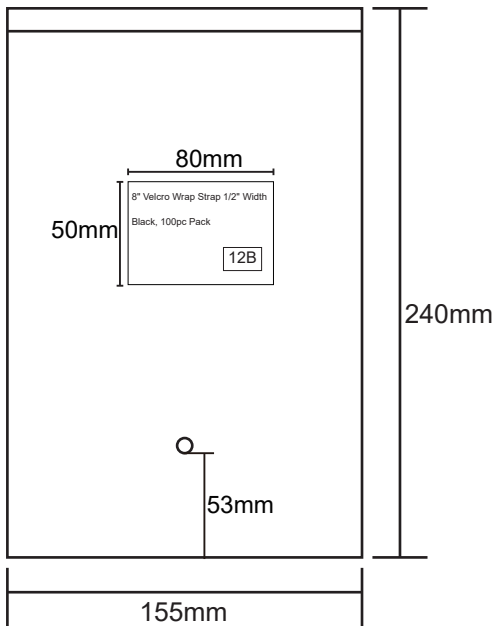


NOTE: CARTON MATERIAL MUST BE K=K



155mm

240mm

50mm

80mm

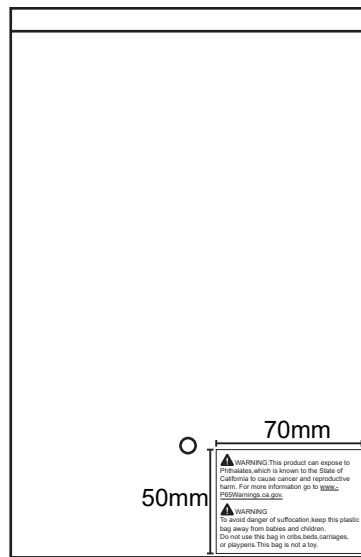
12B

53mm

Front

Material: PE Thickness: 0.07mm
Vent hole: OD: \varnothing 5.0mm

Main Mark
Two sides: front and back

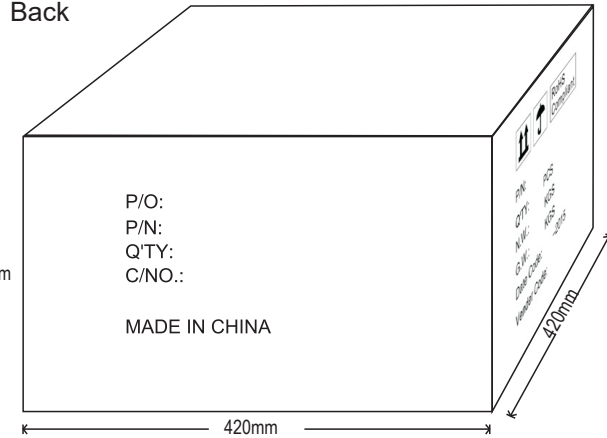


70mm

50mm

WARNING This product can expose to
Phthalates which is known to the State of
California to cause cancer and reproductive
harm. For more information go to www.P66Warnings.ca.gov.
WARNING
To avoid danger of suffocation, keep this plastic
bag away from babies and children.
Do not use this bag in cribs, beds, carriages,
or playpens. This bag is not a toy.

Back



P/O:
P/N:
Q'TY:
C/NO.:

MADE IN CHINA

Carton Size: 420(L)*420(W)*450(H)
Carton Quantity: 12000 PCS
Carton Weight: 14.21 KG

Date code: Month Code + Year Code
EX: December ,2021
Date code: 12B

***Warning label
.....***
60 inches or more 24 point (font size 24PT)
40 to 59 inches 18 point
30 to 39 inches 14 point
less than 29 inches 10 point

Unit package
Size: 155 (L)* 240(W) *0.07(H)
Q'TY: 100PCS
Weight: 0.11KG

REVISION INFORMATION			
Rev.	Rev. Date	Modified By	Brief Description

Side Mark
Two sides: right and left

**RoHS
Compliant**

P/N: 120145
Q'TY: 12000PCS
N.W.: 13.2 KGS
G.W.: 14.21KGS
Date Code: 53-2021
Vender Code: PS01084

DRAWN BY	DATE: 2021/12/29	DESCRIPTION: 8" Velcro Wrap Strap 1/2" Width Black, 100pc Pack		
CHECKED BY	SHEET 2of2	ITEM NO. 220899		
APPROVED BY	SCALE 1 : 1	REV. 00	UNIT: mm	