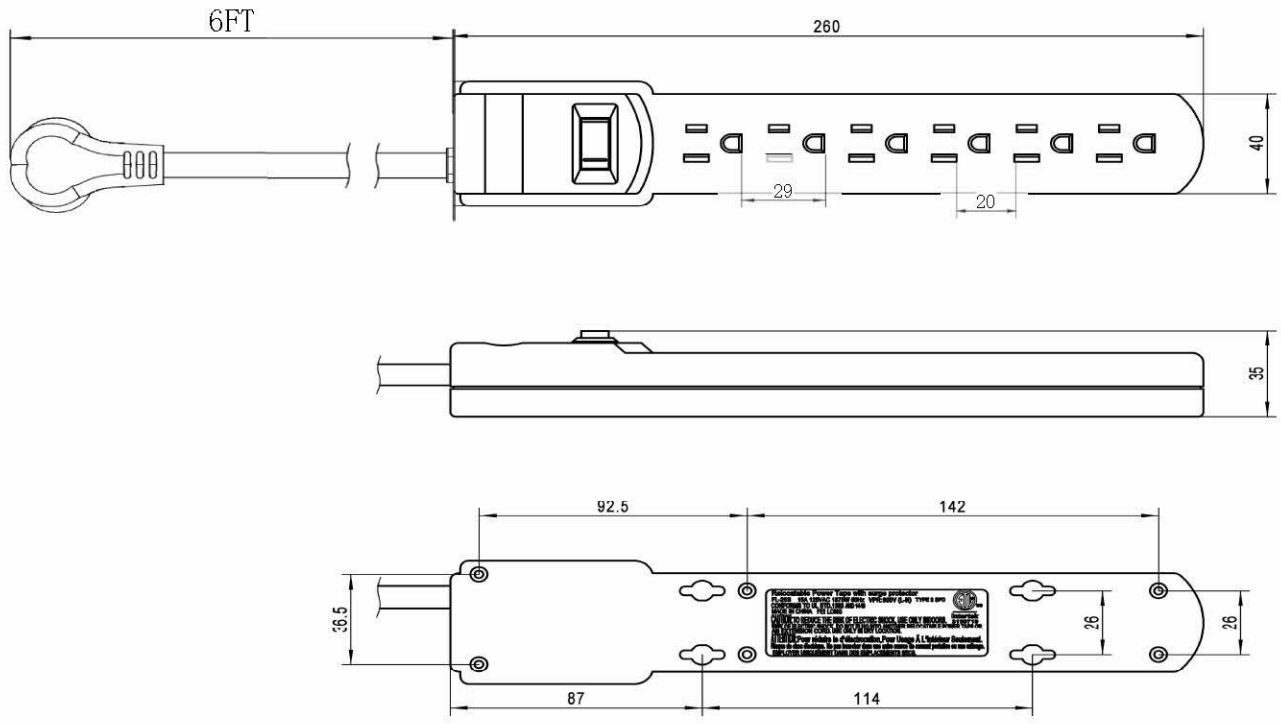


NOTE: ALL MATERIAL COMPLIANT ROHS STANDARD

REVISION INFORMATION			
Rev.	Rev. Date	Modified By	Brief Description
01	2024/10/30	SHAO	



requirements

- 1、hi-pot testing
- 2、internal checking
- 3、polarization checking
- 4、grounding continuity testing




NO.	PART NAME	SPECIFICATION DESCRIPTION	QTY	UNIT
③				
②				
①				

Unless specified on the drawing, tolerances are per the follows:  
 .x +1  
 .x +0.2  
 .xx +0.05

DRAWN BY	DATE: 2024/10/30	DESCRIPTION: 6FT 6 Outlet Surge Protector
CHECKED BY	SHEET 1 of 1	ITEM NO. 215002RBK
APPROVED BY	SCALE	REV. 01   UNIT: mm

## Product Specification

Vendor #:	JIANDE CITY FEILONG ELECTRICAL APPLIANCE CO.,LTD		Vendor Signature:	Shao
Item No:	215002RBK	Description:	6 Outlet Power with Surge	
Photo(s)		Color	Indent Marking based on cETL us Or equivalent standard	
		Black	C(ETL)US 3139719 TYPE SJT 3×2.08mm <sup>2</sup> (14AWG) 60°C VW-1 300V FT2 FeiLong	
		Raw Material		
		Plastic:ABS 105g		
Key Features & Specs		Copper Strip:15g		
Male Blades:ETL CETL Recognized components(NEM A-5-15P)		ON / OFF Swith: with Light	Compound Requirement	
Female Contacts:ETL CETL Recognized Components(NEM A-5-15P)		Cabel:3C SJT 14AWG 6FT	PVC 60° C Insulation Compound Approved for SJT Cable	
Female Ground:ETL CETL Recognized Components(NEM A-5-15P)		Jacket Construction	Cold Bend Test Requirement	
Agency Approvals:ETL		100% Fully pressure Extruded Jacket	Must pass cold bend test at-20° C	
Rate:AC 15A 125V 60Hz 1875W		Included Contents	Production Time	
Maximum Surge:3000A mp,6000V.90J		MOQ:2000 PCS	30-40 Days	
Test		EPA / CARB: /	Payment Terms	
Hipot test@1.5 k v			T/T	
Power test@ with light can light				
Drop test @ 70 cm				
Grounded test@ with ground equirement				
ETL file #	UL file #	CSA / UL file #	FDACL #: /	
3139719	/	/		Date: 2024/10/30