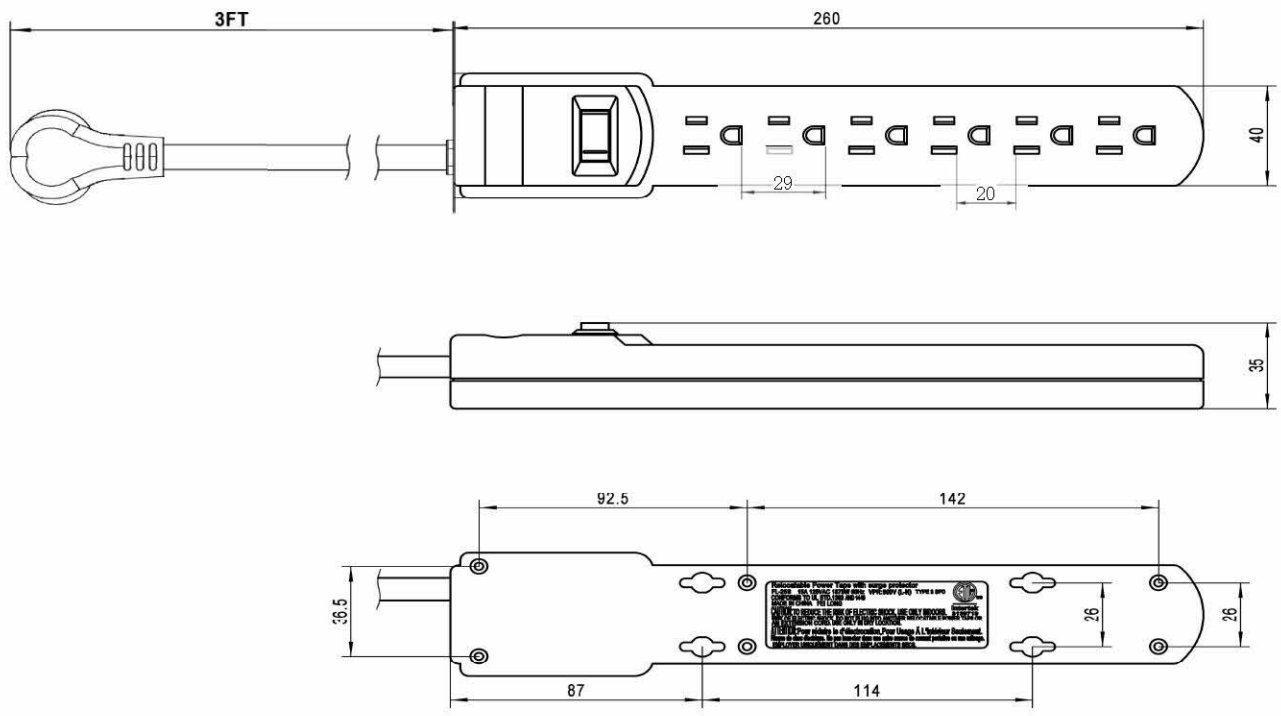


NOTE: ALL MATERIAL COMPLIANT ROHS STANDARD

REVISION INFORMATION			
Rev.	Rev. Date	Modified By	Brief Description
01	2024/10/30	SHAO	



requirements

- 1、hi-pot testing
- 2、internal checking
- 3、polarization checking
- 4、grounding continuity testing




NO.	PART NAME	SPECIFICATION DESCRIPTION	QTY	UNIT
③				
②				
①				

Unless specified on the drawing, tolerances are per the follows:
 .x +1
 .X +0.2
 .xx +0.05

DRAWN BY	DATE: 2024/10/30	DESCRIPTION: 3FT 6 Outlet Surge Protector
CHECKED BY	SHEET 1 of 1	ITEM NO. 215001RBK
APPROVED BY	SCALE	REV. 01 UNIT: mm

Product Specification

Vendor #:	JIANDE CITY FEILONG ELECTRICAL APPLIANCE CO.,LTD		Vendor Signature:	Shao
Item No:	215001RBK	Description:	6 Outlet Power with Surge	
Photo(s)		Color	Indent Marking based on cETL us Or equivalent standard	
		Black	C(ETL)US 3139719 TYPE SJT 3×2.08mm ² (14AWG) 60°C VW-1 300V FT2 FeiLong	
		Raw Material		
		Plastic:ABS 105g Copper Strip:15g		
Key Features & Specs		ON / OFF Swith: with Light	Compound Requirement	
Male Blades:ETL CETL Recognized components(NEM A-5-15P)		Cabel:3C SJT 14AWG 3FT	PVC 60° C Insulation Compound Approved for SJT Cable	
Female Contacts:ETL CETL Recognized Components(NEM A-5-15P)		Jacket Construction	Cold Bend Test Requirement	
Female Ground:ETL CETL Recognized Components(NEM A-5-15P)		100% Fully pressure Extruded Jacket	Must pass cold bend test at-20° C	
Agency Approvals:ETL		Included Contents	Production Time	
Rate:AC 15A 125V 60Hz 1875W			30-40 Days	
Maximum Surge:3000A mp,6000V.90J		MOQ:2000 PCS	Payment Terms	
Test		EPA / CARB: /	T/T	
Hipot test@1.5 k v Power test@ with light can light Drop test @ 70 cm Grounded test@ with ground equirement		FDACL #: /	Date: 2024/10/30	
ETL file #	UL file #			
3139719	/	/		