

Rev.	Rev. Date	Modified By	Brief Description
01	2024/10/30	SHAO	

# 90\*32\*262MM

- PANTONE 375U
- PANTONE 7485U
- PANTONE Neutral Black C



NO.	PART NAME	SPECIFICATION DESCRIPTION	QTY	UNIT
③				
②				
①				

Unless specified on the drawing, tolerances are per the follows:

.	+1
.X	+0.2
.XX	+0.05

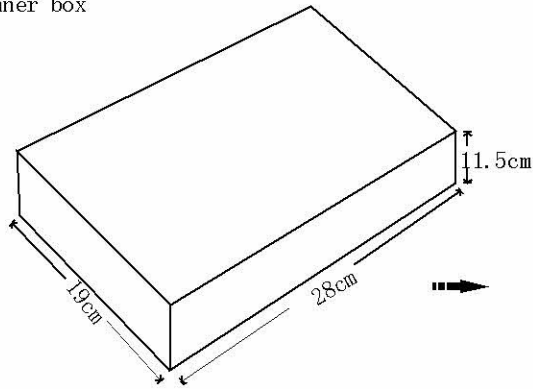
DRAWN BY	DATE: 2024/10/30	DESCRIPTION: 3FT 6 Outlet Surge Protector
CHECKED BY	SHEET 1 of 1	ITEM NO. 215001RBK
APPROVED BY	SCALE	REV. 01 UNIT: mm

NOTE: CARTON MATERIAL MUST BE A=A

REVISION INFORMATION

Rev.	Rev. Date	Modified By	Brief Description


Inner box




Main Mark

3FT 6-Outlet Surge Protector  
 14AWG/3, 15A, 90J Black  
 6 PCS

Side Mark



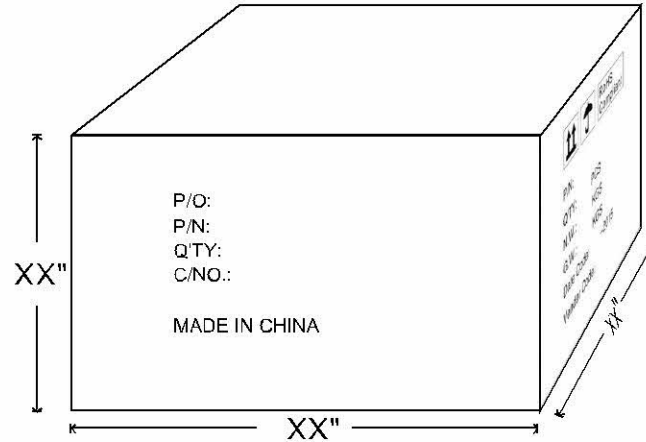


**RoHS  
Compliant**

P/N: 215001RBK  
 QTY: 24 PCS  
 N.W.: 6.8KGS  
 G.W.: 7.3KGS  
 Date code:  
 Vender Code: PS01904

Master Carton

P/O:  
 P/N: 215001RBK  
 QTY: 24 PCS  
 C/NO. :  
  
 MADE IN CHINA



Carton Size: 39.5x29.5x24.5 cm  
 Carton Quantity: 24 PCS  
 Carton Weight: 16.09 LBS



DRAWN BY	DATE: 2024/10/30	DESCRIPTION: 3FT 6 Outlet Surge Protector
CHECKED BY	SHEET 1 of 2	ITEM NO. 215001RBK
APPROVED BY	SCALE	REV. 01   UNIT: mm