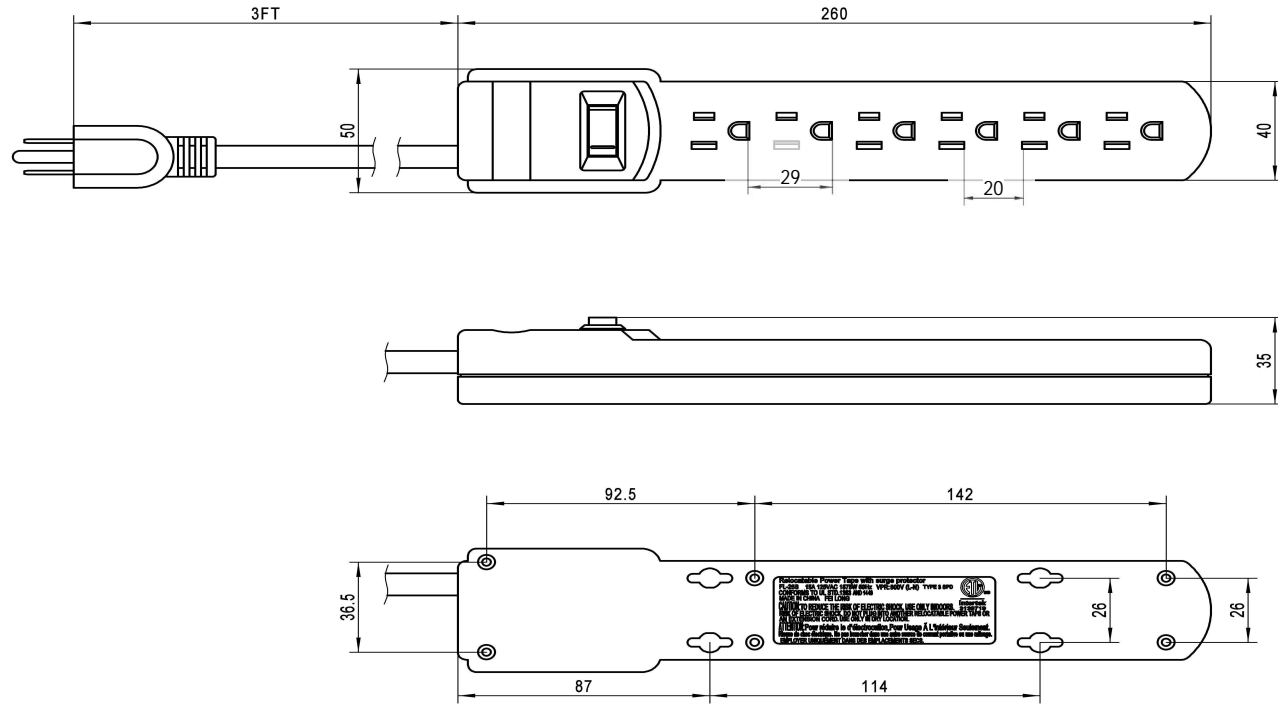


NOTE: ALL MATERIAL COMPLIANT ROHS STANDARD

REVISION INFORMATION

Rev.	Rev. Date	Modified By	Brief Description
03	2024/7/26	SHAO	



requirements

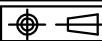
- 1、 hi-pot testing
- 2、 internal checking
- 3、 polarization checking
- 4、 grounding continuity testing




NO.	PART NAME	SPECIFICATION DESCRIPTION	QT'Y	UNIT
③				
②				
①				

Unless specified on the drawing, tolerances are per the follows:  
 .                    +1  
 .x                  +0.2  
 .xx                +0.05

DRAWN BY	DATE: 2024/7/26	DESCRIPTION: 3FT 6 Outlet Surge Protector
CHECKED BY	SHEET 1 of 1	ITEM NO. 215001BK
APPROVED BY	SCALE	REV. 03 UNIT: mm



# Product Specification

<b>Vendor #:</b>	JIANDE CITY FEILONG ELECTRICAL APPLIANCE CO.,LTD		<b>Vendor Signature:</b>	Shao
<b>Item No:</b>	<b>215001BK</b>	<b>Description:</b>	6 Outlet Power with Surge	
<b>Photo(s)</b>		<b>Color</b>	<b>Indent Marking based on cETL us</b> <b>Or equivalent standard</b>	
		Black	C(ETL)US 3139719 TYPE SJT 3×2.08mm <sup>2</sup> (14AWG) 60°C VW-1 300V FT2 <u>FeiLong</u>	
		<b>Raw Material</b>		
		Plastic:ABS 105g		
<b>Key Features &amp; Specs</b>		Copper Strip:15g		
Male Blades:ETL CETL Recognized components(NEM A-5-15P)		ON / OFF Swith: with Light	<b>Compound Requirement</b>	
Female Contacts:ETL CETL Recognized Components(NEM A-5-15P)		<u>Cabel</u> :3C SJT 14AWG 3FT	PVC 60° C Insulation Compound Approved for SJT Cable	
Female Ground:ETL CETL Recognized Components(NEM A-5-15P)		<b>Jacket Construction</b>	<b>Cold Bend Test Requirement</b>	
Agency Approvals:ETL		100% Fully pressure Extruded Jacket	Must pass cold bend test at -20° C	
Rate:AC 15A 125V 60Hz 1875W		<b>Included Contents</b>	<b>Production Time</b>	
Maximum Surge:3000A mp,6000V.90J			30-40 Days	
<b>Test</b>		MOQ:2000 PCS	<b>Payment Terms</b>	
Hipot test@1.5 kv Power test@ with light can light Drop test @ 70 cm Grounded test@ with ground equirement		<b>EPA / CARB: /</b>	T/T	
<b>ETL file #</b>	<b>UL file #</b>	<b>CSA / UL file #</b>	<b>FDA CL #: /</b>	<b>Date:</b>
3139719	/	/		