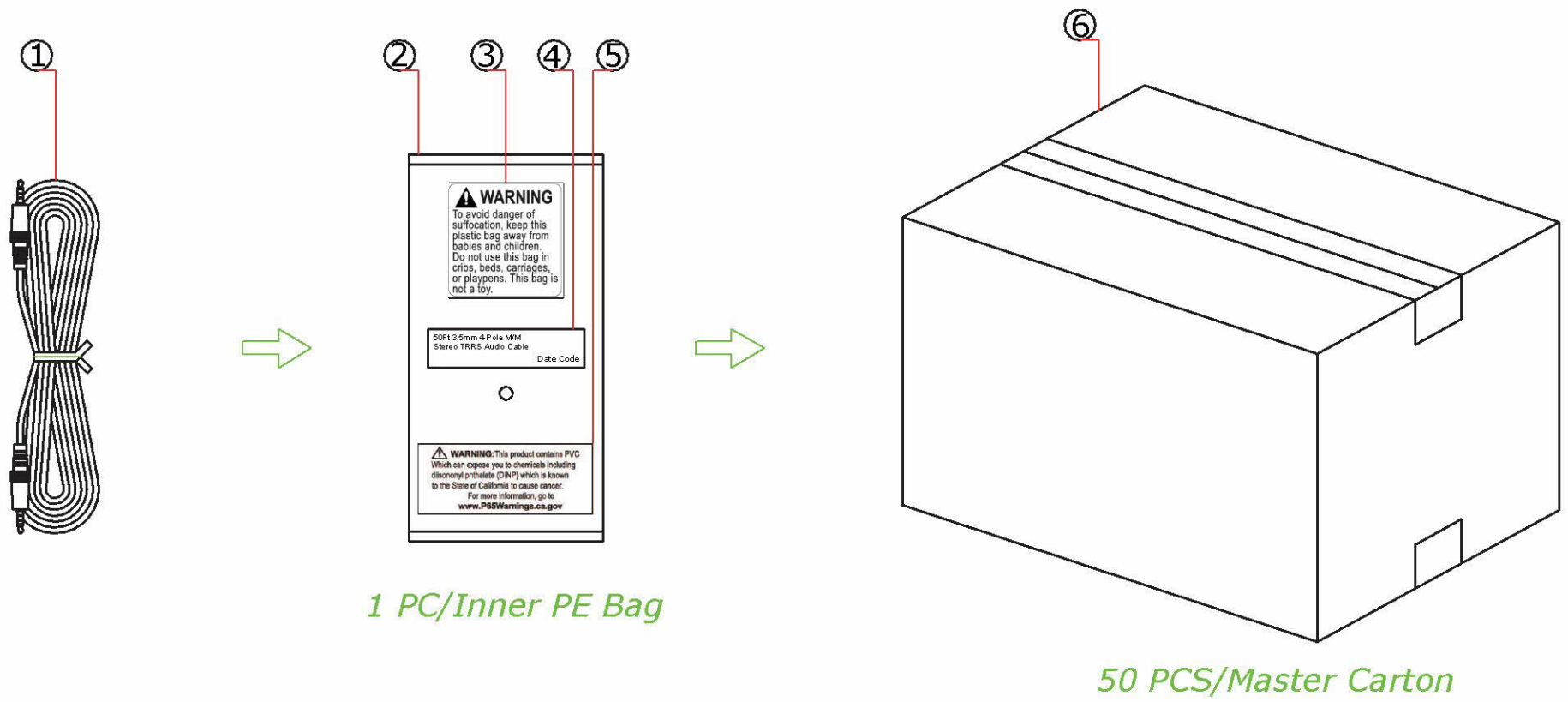


REVISION INFORMATION (Vender)			
Rev.	Rev. Date	Modified By	Brief Description
1.0	DEC. 24, 24	Alvin Shi	Initial Release



1 PC/Inner PE Bag

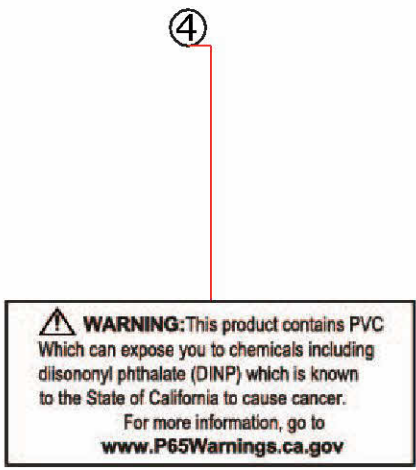
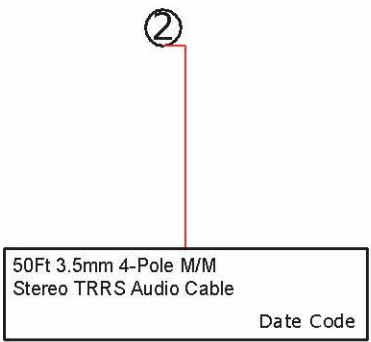
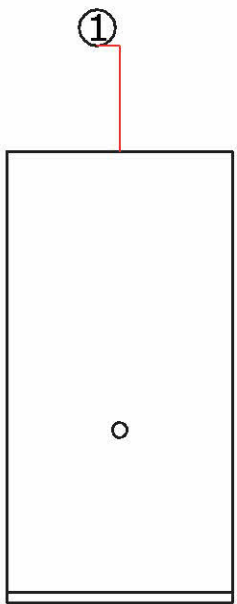
50 PCS/Master Carton

⑥	Carton	50PCS Pack Unit 5-Ply Carton, 39 x 33 x 16 CM	1	PC
⑤	Lable	P65 Lable	1	PC
④	Lable	1PC Pack Unit Lable with Date Code	1	PC
③	Lable	Warning Lable	1	PC
②	PE Bag	Inner PE Bag, 10.5 x 25 CM	1	PC
①	Cable	50Ft 3.5mm 4-Pole M/M Stereo TRRS Audio Cable, Black	1	PC
NO.	PART NAME	SPECIFICATION DESCRIPTION	Q'TY	UNIT

Unless specified on the drawing, tolerances are per the follows:
 . +1
 .x +0.2
 .xx +0.05

VENDOR CODE : PS00831		DESCRIPTION : BestLink 50Ft 3.5mm 4-Pole M/M Stereo TRRS Audio Cable - Black	
APPROVED BY PM & DATE :		PID # : 201458	
PM PRINT NAME :	DATE : 12/24/24	UNIT : MM	SHEET : 2 OF 4
			FILE NAME : PID_201458

REVISION INFORMATION (Vender)			
Rev.	Rev. Date	Modified By	Brief Description
1.0	DEC. 24, 24	Alvin Shi	Initial Release

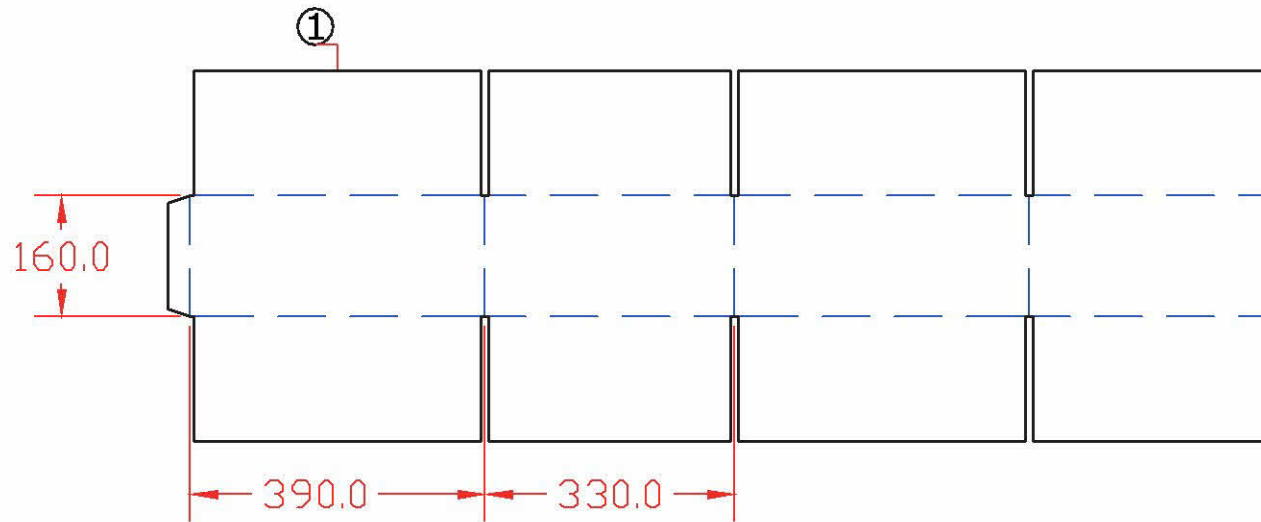


④	Lable	P65 Lable	1	PC
③	Lable	Warning Lable	1	PC
②	Lable	1PC Pack Unit Lable with Date Code	1	PC
①	PE Bag	Inner PE Bag, 10.5 x 25 CM	1	PC
NO.	PART NAME	SPECIFICATION DESCRIPTION	Q'TY	UNIT

Unless specified on the drawing, tolerances are per the follows:
 . +1
 .x +0.2
 .xx +0.05

VENDOR CODE : PS00831		DESCRIPTION : BestLink 50Ft 3.5mm 4-Pole M/M Stereo TRRS Audio Cable - Black			
APPROVED BY PM & DATE :		PID # : 201458			
PM PRINT NAME :		DATE : 12/24/24	UNIT : MM	SHEET : 3 OF 4	FILE NAME : PID_201458

Rev.	Rev. Date	Modified By	Brief Description
1.0	DEC. 24, 24	Alvin Shi	Initial Release



50 PCS/Master Carton



VENDOR CODE : PS00831		DESCRIPTION : BestLink 50Ft 3.5mm 4-Pole M/M Stereo TRRS Audio Cable - Black			
APPROVED BY PM & DATE :		PID # : 201458			
PM PRINT NAME :		DATE : 12/24/24	UNIT : MM	SHEET : 4 OF 4	FILE NAME : PID_201458

Unless specified on the drawing, tolerances are per the follows:
 . +1
 .x +0.2
 .xx +0.05

NO.	PART NAME	SPECIFICATION DESCRIPTION	CBM	Q'TY	G.W.	N.W.
①	Carton	50PCS Pack Unit 5-Ply Carton, 39 x 33 x 16 CM	0.0206	50PCS	15.1KGS	14.7KGS