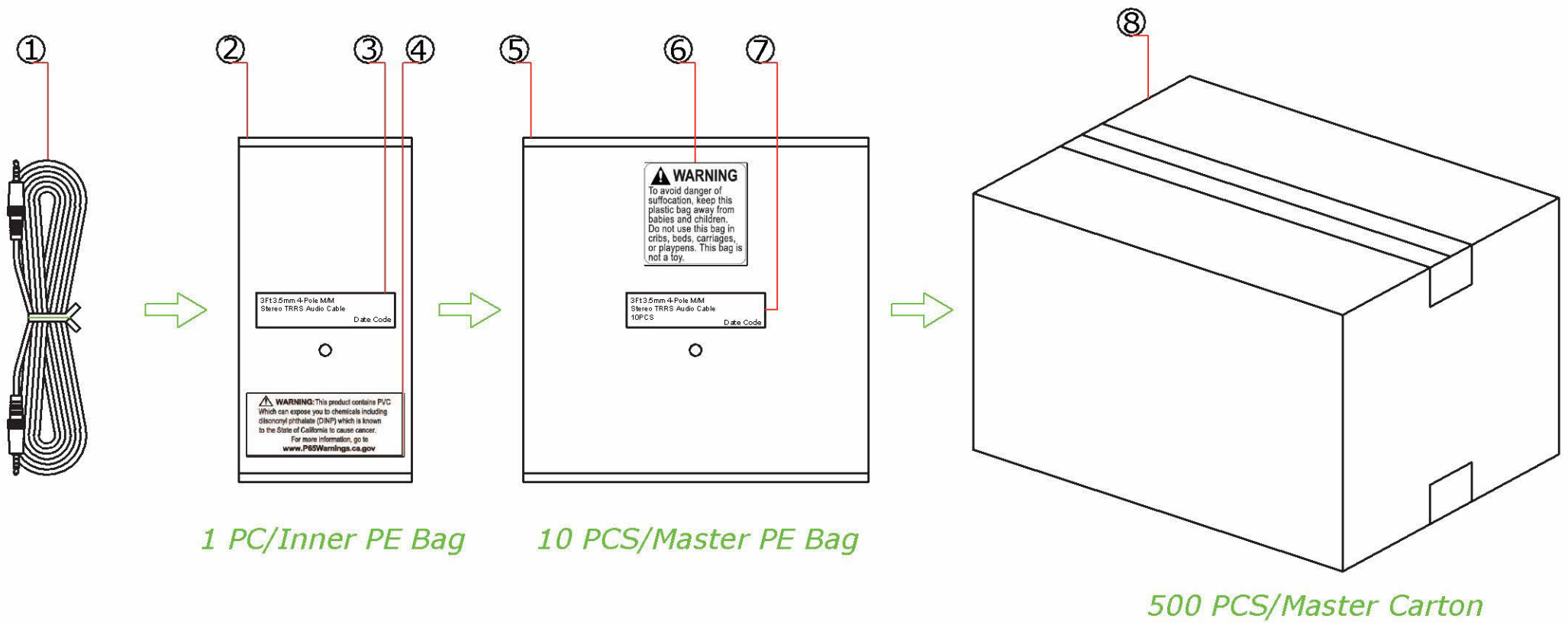


REVISION INFORMATION (Vender)			
Rev.	Rev. Date	Modified By	Brief Description
1.0	DEC. 24, 24	Alvin Shi	Initial Release

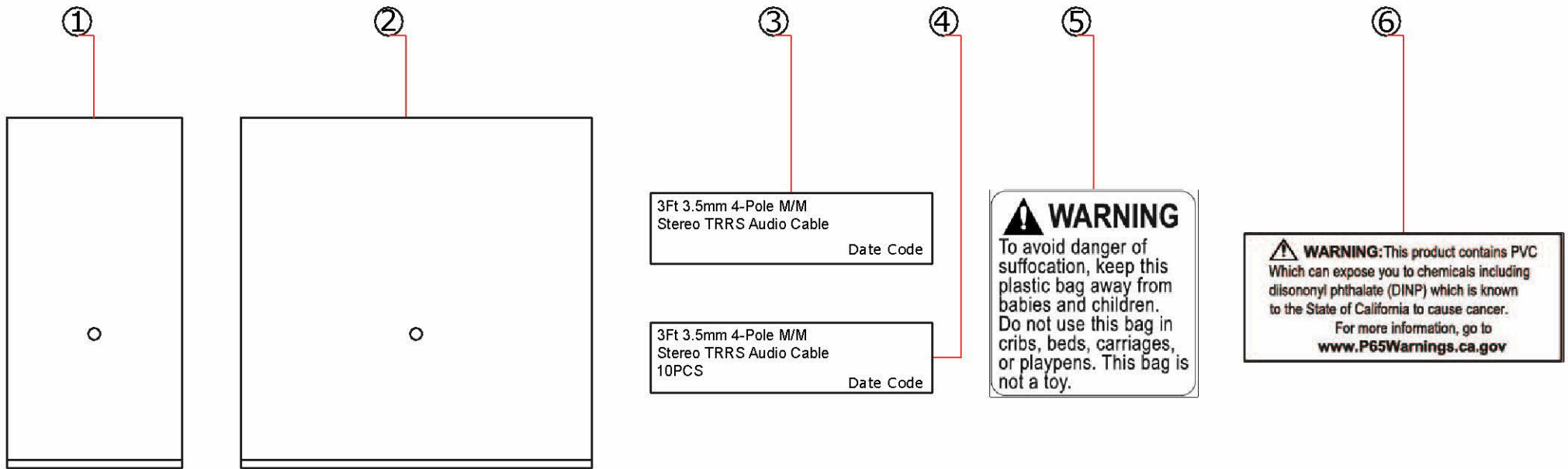


⑧	Carton	500PCS Pack Unit 5-Ply Carton, 39 x 33 x 23 CM	1	PC
⑦	Lable	10PCS Pack Unit Lable with Date Code	1	PC
⑥	PE Bag	Master PE Bag, 20 x 22 CM	1	PC
⑤	Lable	P65 Lable	1	PC
④	Lable	1PC Pack Unit Lable with Date Code	1	PC
③	Lable	Warning Lable	1	PC
②	PE Bag	Inner PE Bag, 8 x 20 CM	1	PC
①	Cable	3Ft 3.5mm 4-Pole M/M Stereo TRRS Audio Cable, Black	1	PC
NO.	PART NAME	SPECIFICATION DESCRIPTION	Q'TY	UNIT

Unless specified on the drawing, tolerances are per the follows:
 . +1
 .x +0.2
 .xx +0.05

VENDOR CODE : PS00831		DESCRIPTION : BestLink 3Ft 3.5mm 4-Pole M/M Stereo TRRS Audio Cable - Black	
APPROVED BY PM & DATE :		PID # : 201452	
PM PRINT NAME :		DATE : 12/24/24	UNIT : MM
		SHEET : 2 OF 4	FILE NAME : PID_201452

REVISION INFORMATION (Vender)			
Rev.	Rev. Date	Modified By	Brief Description
1.0	DEC. 24, 24	Alvin Shi	Initial Release



3Ft 3.5mm 4-Pole M/M
Stereo TRRS Audio Cable
Date Code

3Ft 3.5mm 4-Pole M/M
Stereo TRRS Audio Cable
10PCS
Date Code

WARNING
To avoid danger of suffocation, keep this plastic bag away from babies and children. Do not use this bag in cribs, beds, carriages, or playpens. This bag is not a toy.

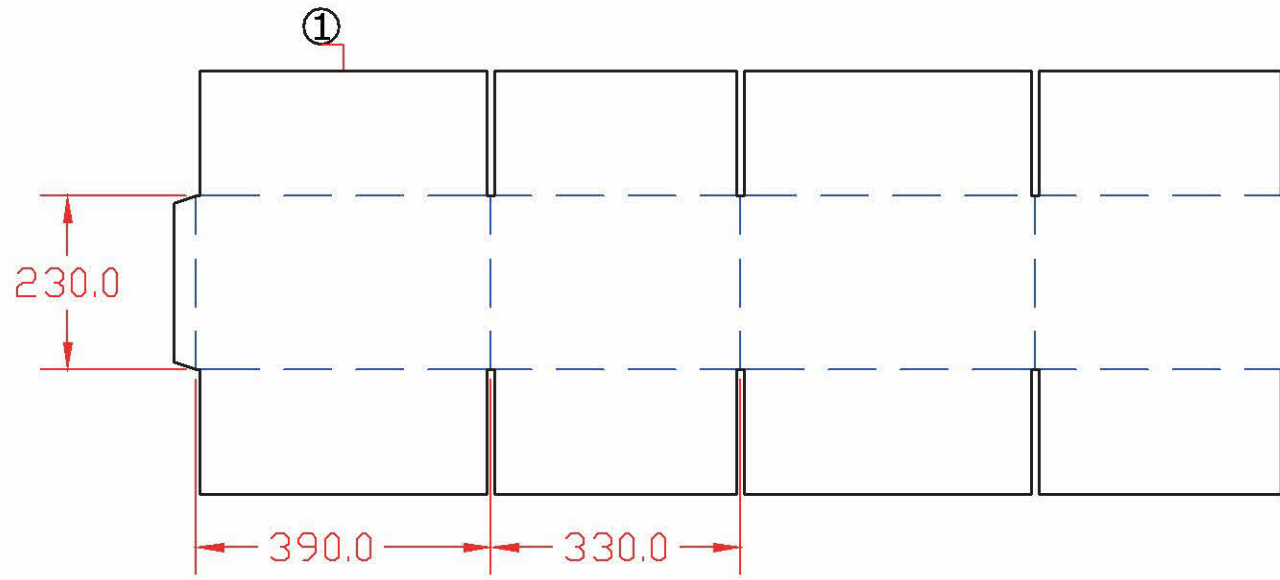
WARNING: This product contains PVC Which can expose you to chemicals including diisononyl phthalate (DINP) which is known to the State of California to cause cancer. For more information, go to www.P65Warnings.ca.gov

⑥	Lable	P65 Lable	1	PC
⑤	Lable	Warning Lable	1	PC
④	Lable	10PCS Pack Unit Lable with Date Code	1	PC
③	Lable	1PC Pack Unit Lable with Date Code	1	PC
②	PE Bag	Master PE Bag, 20 x 22 CM	1	PC
①	PE Bag	Inner PE Bag, 8 x 20 CM	1	PC
NO.	PART NAME	SPECIFICATION DESCRIPTION	Q'TY	UNIT

Unless specified on the drawing, tolerances are per the follows:
 . +1
 .x +0.2
 .xx +0.05

VENDOR CODE : PS00831		DESCRIPTION : BestLink 3Ft 3.5mm 4-Pole M/M Stereo TRRS Audio Cable - Black	
APPROVED BY PM & DATE :		PID # : 201452	
PM PRINT NAME :	DATE :	UNIT : MM	SHEET : 3 OF 4
		FILE NAME : PID_201452	

Rev.	Rev. Date	Modified By	Brief Description
1.0	DEC. 24, 24	Alvin Shi	Initial Release



500 PCS/Master Carton



VENDOR CODE : PS00831		DESCRIPTION : BestLink 3Ft 3.5mm 4-Pole M/M Stereo TRRS Audio Cable - Black			
APPROVED BY PM & DATE :		PID # : 201452			
PM PRINT NAME :		DATE :	UNIT : MM	SHEET : 4 OF 4	FILE NAME : PID_201452

Unless specified on the drawing, tolerances are per the follows:
 . +1
 .x +0.2
 .xx +0.05

NO.	PART NAME	SPECIFICATION DESCRIPTION	CBM	Q'TY	G.W.	N.W.
①	Carton	500PCS Pack Unit 5-Ply Carton, 39 x 33 x 23 CM	0.0296	500PCS	15.1KGS	13.6KGS