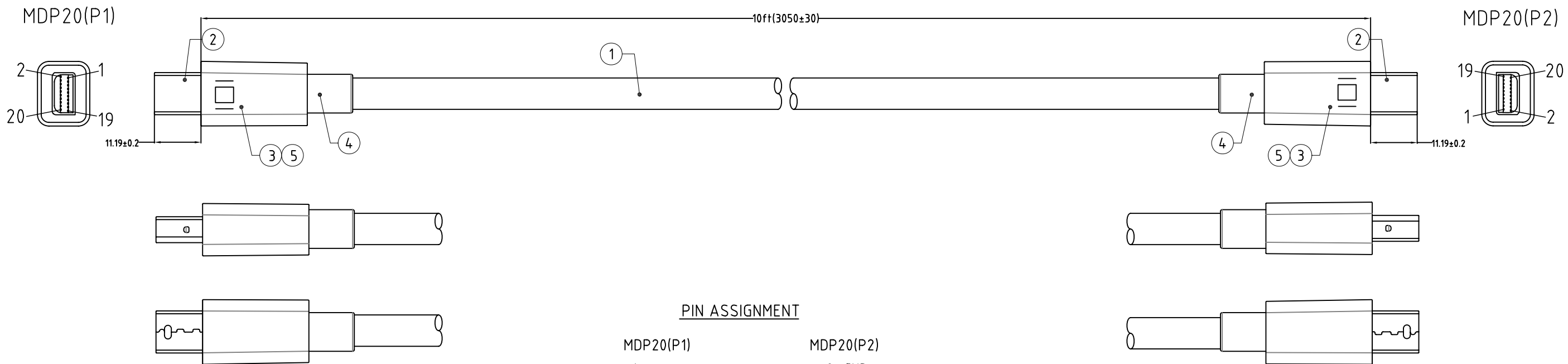


NOTE:ALL MATERIAL COMPLIANT ROHS STANDARD

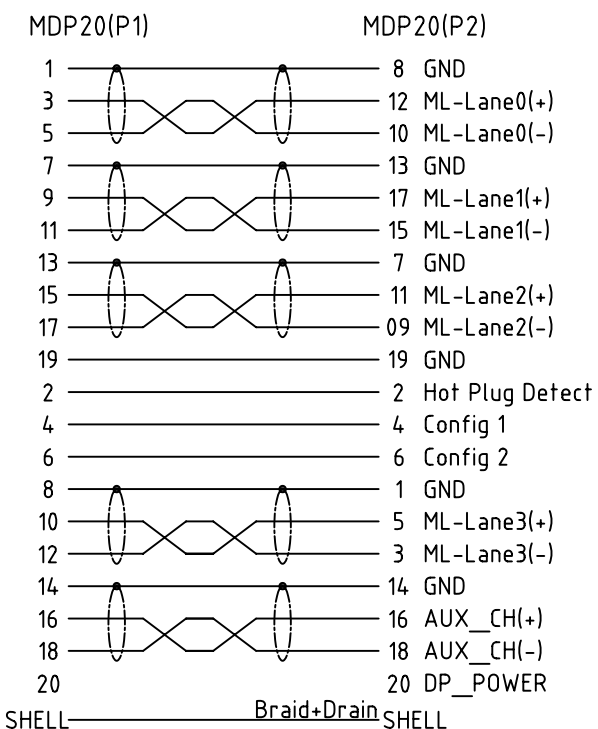
REVISION INFORMATION			
Rev.	Rev. Date	Modified By	Brief Description



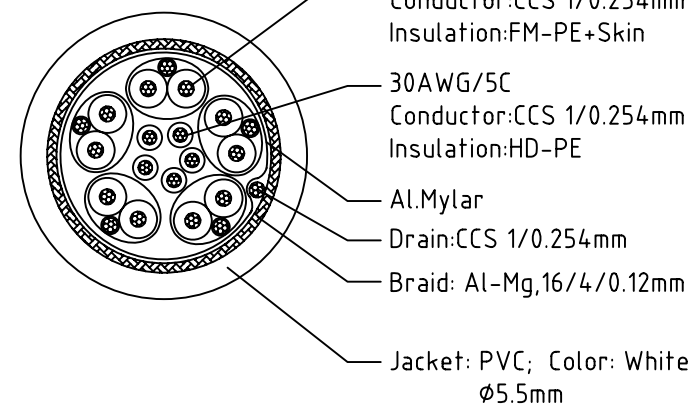
Electrical character:

- 1)100% Open/short/Intermittent testing
- 2)Withstanding voltage:DC/AC 300V AT 10ms.
- 3)Insulation resistance:10M Ohm(min)
- 4)Residual operating current:
 - a.<1.M=0.5mA; b.1.0~2.0M=1.0mA;
 - c.2.0~3.0M=2.0mA; d.3.0~5.0M=3.0mA;
 - e.5.0~10M=5.0mA; f.10~15M=7.0mA;
- 5)Conductive resistance:8 Ohm(max)
- 6)100% **1080P、4K@60Hz** testing

PIN ASSIGNMENT



Wire Details



NO.	PART NAME	SPECIFICATION DESCRIPTION	QTY	UNIT
①	Cable	UL20276 (30#CCS*1P+1C+AL)*5+30#CCS*5C+A+D+B(16/4/0.12,Al-Mg)+PVC,White,OD:5.5mm		
②	MDP_Conn	Mini DisplayPort Male,Pin G/F,White Insulation,Shell(G/F Plated),Solder type		
③	Innermold	PE,Low density		
④	SR Molding	PVC,45Pa,White		
⑤	MDP_Shell	Mini DisplayPort Shell,ABS,White		

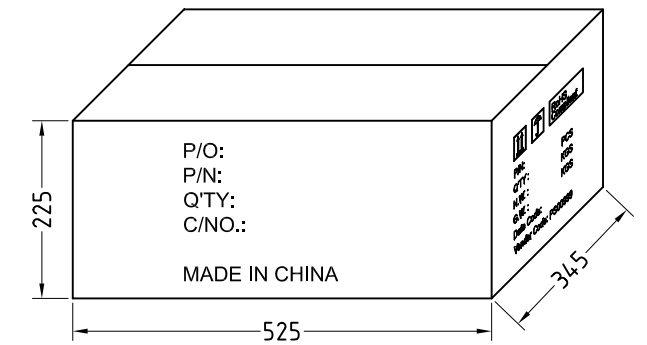
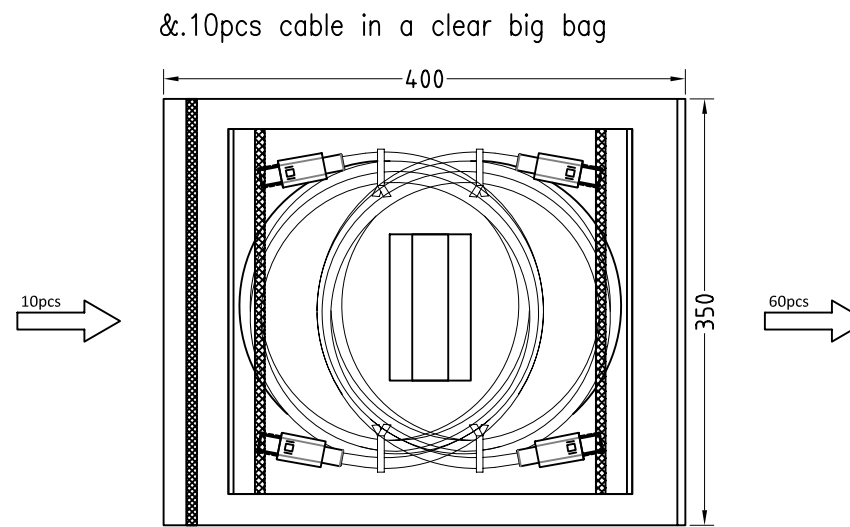
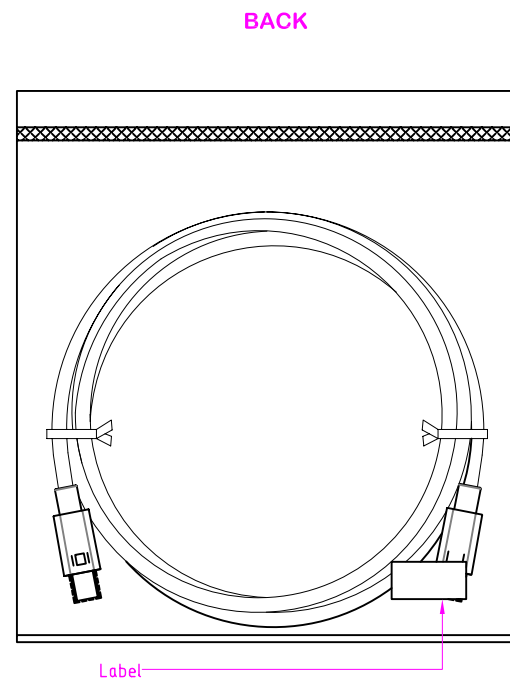
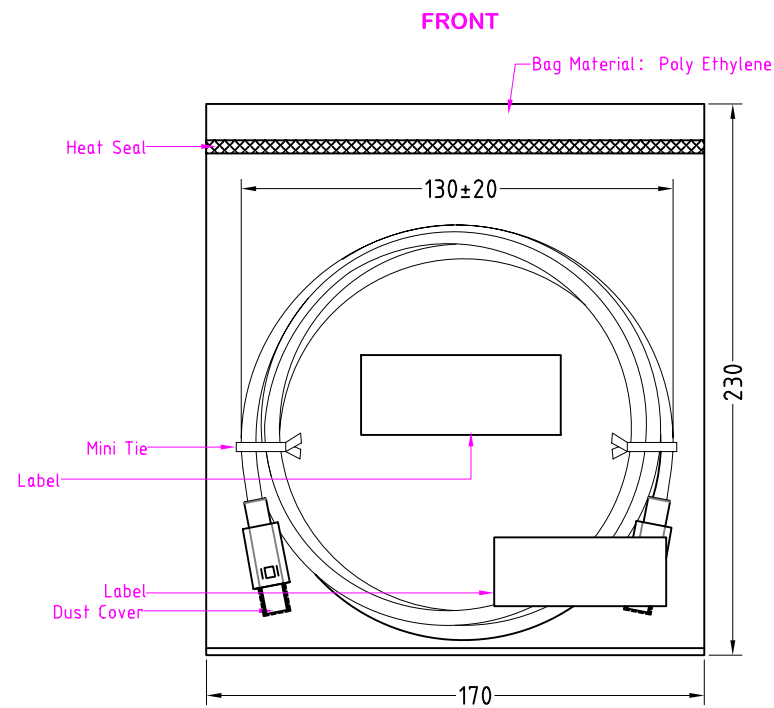
Unless specified on the drawing, tolerances are per the follows:

.	+1
.x	+0.2
.xx	+0.05

DRAWN BY	DATE: 2018/11/05	DESCRIPTION: Mini DisplayPort to Mini DisplayPort cable
CHECKED BY	SHEET 1of2	ITEM NO. 184008
APPROVED BY	SCALE None	REV. 0.0 UNIT:mm

NOTE: CARTON MATERIAL MUST BE A=A

REVISION INFORMATION			
Rev.	Rev. Date	Modified By	Brief Description



MAIN MARK

P/O: XXXXXX
 P/N: 184008
 Q'TY: 60
 C/NO.: Cxxx
 MADE IN CHINA

Label:
 Size: 50 x 20 mm

10Ft Mini DP Male to Mini DP Male Cable

Label:
 Size: 10 x 5 mm

04K

WARNING: This product contains PVC Which can expose you to chemicals including diisononyl phthalate (DINP) which is known to the State of California to cause cancer. For more information, go to www.P65Warnings.ca.gov

SIDE MARK

↑↑ ☂ RoHS Compliant

P/N: 184008
 Q'TY: 60 PCS
 N.W.: 8.50 KGS
 G.W.: 9.40 KGS
 Date Code: XX-XXXX
 Vender Code: PS00999

Carton Size: 20.67"(L)*13.58"(W)*8.86"(H)
 Carton Quantity: 60 pcs
 Carton Weight: 20.77 LBS

Packing Instruction:

1. First of all, protect the connector with dust covers, coil the cable (see attached). Secure the cable with cable tie, and then pack each cable with an individual PE bag, 10 pcs cable in a clear big bag, The label is attached to the PE bag.
2. Seal the PE bag with heat sealing machine.
3. Use a waterproof bag to pack the products before going into master carton. Make sure each individual cable is staggered and positioned tidily. A paperboard is needed in both the bottom and the top of the products.
4. See shipping mark on the left.

BESTLINK NETWORKARE			
DRAWN BY	DATE: 2018/11/05	DESCRIPTION: Mini DisplayPort to Mini DisplayPort cable	
CHECKED BY	SHEET 2of2	ITEM NO. 184008	
APPROVED BY	SCALE None	REV. 0.0	UNIT: mm