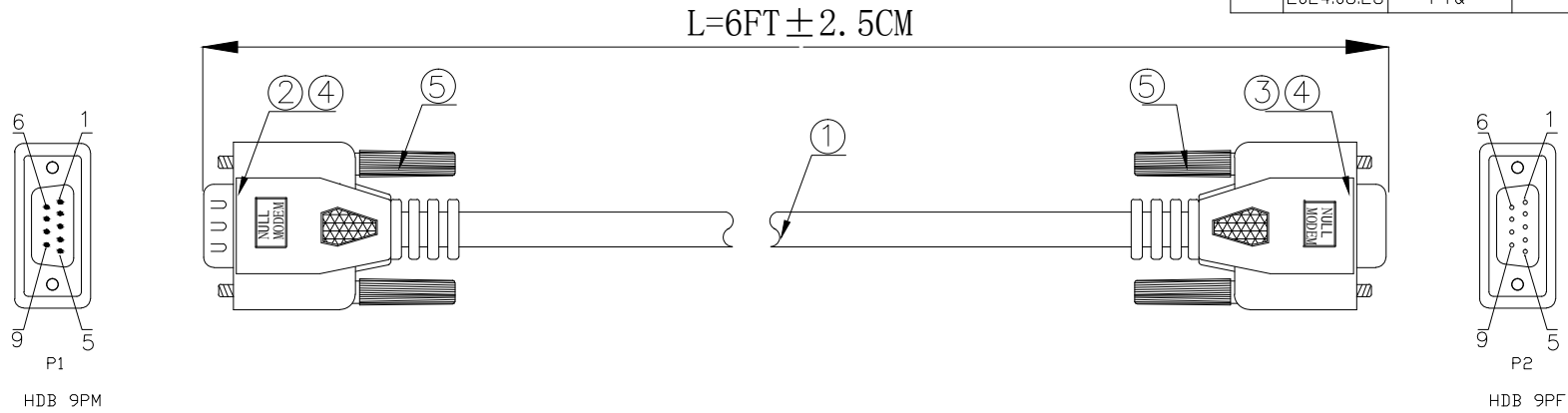


NOTE: ALL MATERIAL COMPLIANT ROHS STANDARD

REVISION INFORMATION			
Rev.	Rev. Date	Modified By	Brief Description
	2024.06.26	FYQ	CHANGE LOGO



Technical Requirements

1.Electrical Characteristics:

1.1.cable must pass electrical testing, no short circuit, open circuit, indirect sexual contact, insufficient insulation, dislocation, and other electrical contact resistance of adverse circumstances

1.2 Electrical Test Conditions

Conductor Resistance:10 Ω

2.Appearance requirements:

2.1 No shot short,shrink, flow liner

2.2 Wire surface printing clear, smooth appearance, can not have scratches and obvious color

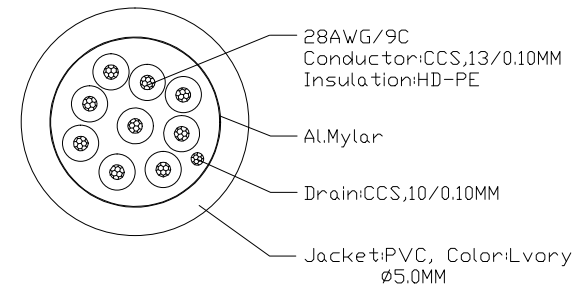
2.3 Terminals can not have oxidation or electrodeposited coating fall off

3.Packing: Circle around a single package.

Wire point

P1	P2
1&6	4
2	3
3	2
4	1&6
5	5
7	8
8	7
G	G

Wire Details



1).Material List :

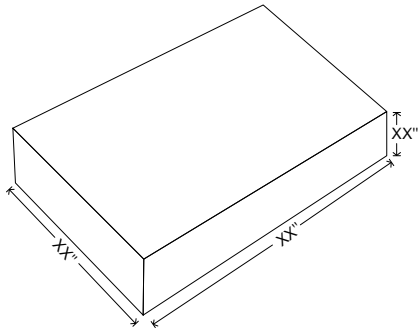
NO.	PART NAME	SPECIFICATION DESCRIPTION	QTY	UNIT
⑤	SCREW	2.3*45MM IVORY color screw stem	4	PCS
④	Outer Moaldding	45P PVC IVORY color plugs	NA	KG
③	Connector	DB 9PF two rows of blue iron shell plating nickel	1	PCS
②	Connector	DB 9PM two rows of blue iron shell plating nickel	1	PCS
①	Wire	28# (13/0. 10CCS)*9C+D (10/0. 10CCS)+AL+PVC, Lvory, OD:5. 0MM	6	ft



DRAWN BY	DATE: 2024.06.26	DESCRIPTION: 6Ft DB9-M/F Null Modem Cable	
CHECKED BY	SHEET 1 of 1	ITEM NO. 180508	
APPROVED BY	SCALE 1:1	REV. 00	UNIT: mm

NOTE: ALL MATERIAL COMPLIANT ROHS STANDARD

REVISION INFORMATION			
Rev.	Rev. Date	Modified By	Brief Description

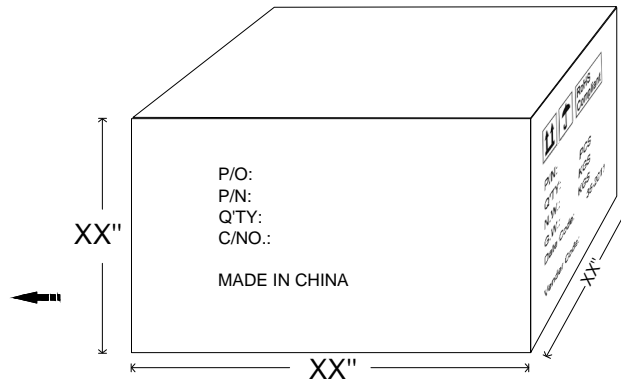


Unit package

Size: 5.9"(L)\*8.27"(W)\*0.16"(H)

Weight: 0.26 LBS

P/O:\*\*\*\*\*  
P/N:180508  
Q'TY:150 PCS  
C/NO.:D\*\*\*  
  
MADE IN CHINA



		RoHS Compliant
P/N: 180508		
Q'TY: 150	PCS	
N.W.: 17.7	KGS	
G.W.: 18.5	KGS	
Date Code: 35-2011		
Vender Code:		

Carton Size: 21.26"(L)\*14.57"(W)\*8.67"

(H)Carton Quantity: 150 pcs

Carton Weight: 40.78 LBS

DRAWN BY	DATE: 2024.06.26	DESCRIPTION: 6Ft DB9-M/F Null Modem Cable	
CHECKED BY	SHEET 1 of 1	ITEM NO. 180508	
APPROVED BY	SCALE 1:1	REV. 00	UNIT: mm