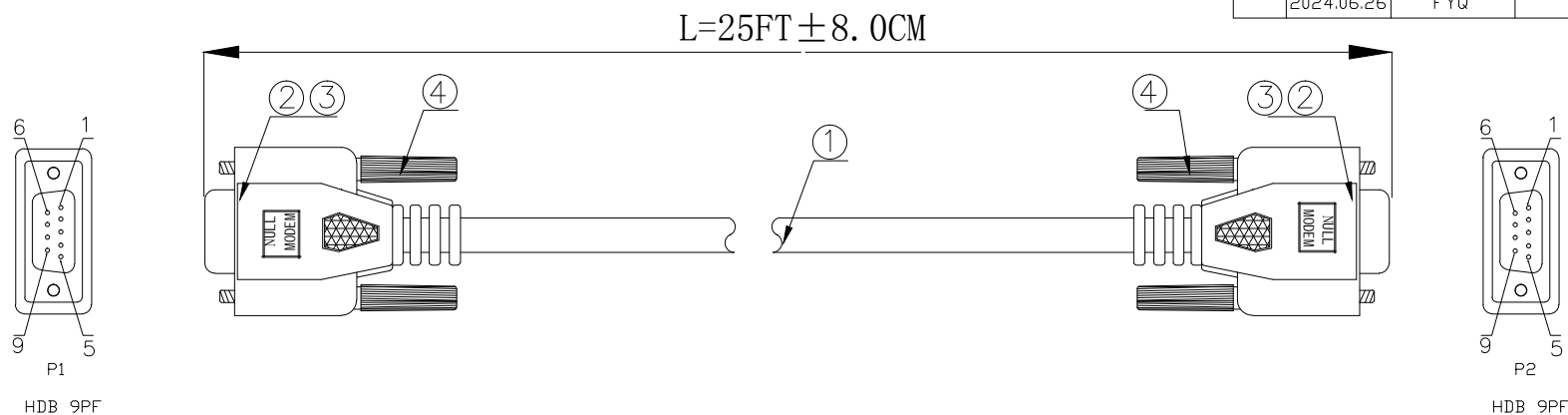


NOTE: ALL MATERIAL COMPLIANT ROHS STANDARD

REVISION INFORMATION			
Rev.	Rev. Date	Modified By	Brief Description
	2024.06.26	FYQ	CHANGE LOGO



Technical Requirements

1.Electrical Characteristics:

1.1.cable must pass electrical testing, no short circuit, open circuit, indirect sexual contact, insufficient insulation, dislocation, and other electrical contact resistance of adverse circumstances

1.2 Electrical Test Conditions

Conductor Resistance:20 Ω

2.Appearance requirements:

2.1 No shot short,shrink, flow liner

2.2 Wire surface printing clear, smooth appearance, can not have scratches and obvious color

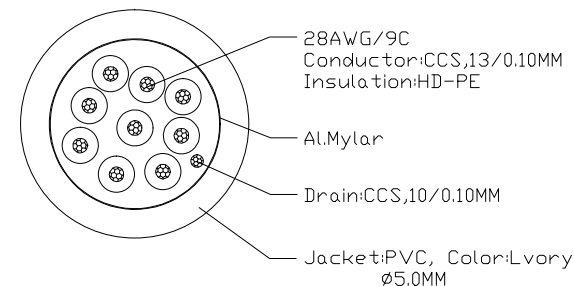
2.3 Terminals can not have oxidation or electrodeposited coating fall off

3.Packing: Circle around a single package.

Wire point

P1	P2
1&6	4
2	3
3	2
4	1&6
5	5
7	8
8	7
G	G

Wire Details



1).Material List :

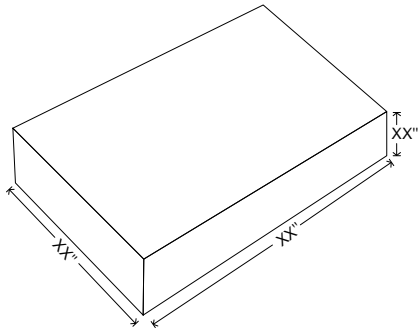
NO.	PART NAME	SPECIFICATION DESCRIPTION	QTY	UNIT
④	SCREW	2. 3*45MM Ivory color screw stem	4	PCS
③	Outer Moalding	45P PVC Ivory color plugs	NA	KG
②	Connector	DB 9PF two rows of blue iron shell plating nickel	2	PCS
①	Wire	28# (13/0. 10CCS)*9C+D (10/0. 10CCS)+AL+PVC, Ivory, OD:5. 0MM	25	FT



DRAWN BY	DATE: 2024.06.26	DESCRIPTION: 25Ft DB9-F/F Null Modem Cable	
CHECKED BY	SHEET 1 of 1	ITEM NO. 180505	
APPROVED BY	SCALE 1:1	REV. 00	UNIT: mm

NOTE: ALL MATERIAL COMPLIANT ROHS STANDARD

REVISION INFORMATION			
Rev.	Rev. Date	Modified By	Brief Description



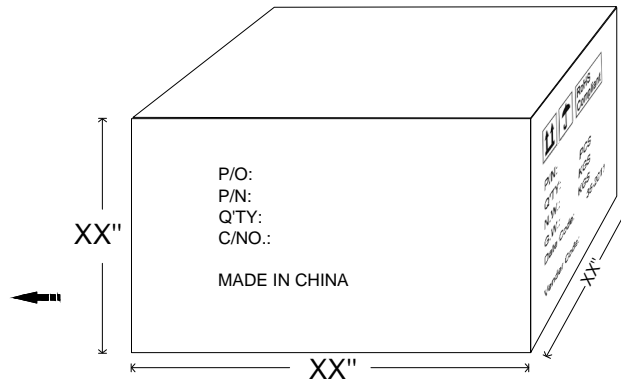
Unit package

Size: 7.08"(L)*9.84"(W)*0.15"(H)

Weight: 0.69 LBS

P/O:*****
P/N:180505
Q'TY:50 PCS
C/NO.:D***

MADE IN CHINA



Carton Size: 21.26"(L)*14.57"(W)*8.67"(H)

Carton Quantity: 50 pcs

Carton Weight: 36.16 LBS

		RoHS Compliant
P/N: 180505		
Q'TY: 50 PCS		
N.W.: 15.6 KGS		
G.W.: 16.4 KGS		
Date Code: 35-2011		
Vender Code:		

DRAWN BY	DATE: 2024.06.26	DESCRIPTION: 25Ft DB9-F/F Null Modem Cable	
CHECKED BY	SHEET 1 of 1	ITEM NO. 180505	
APPROVED BY	SCALE 1:1	REV. 00	UNIT: mm