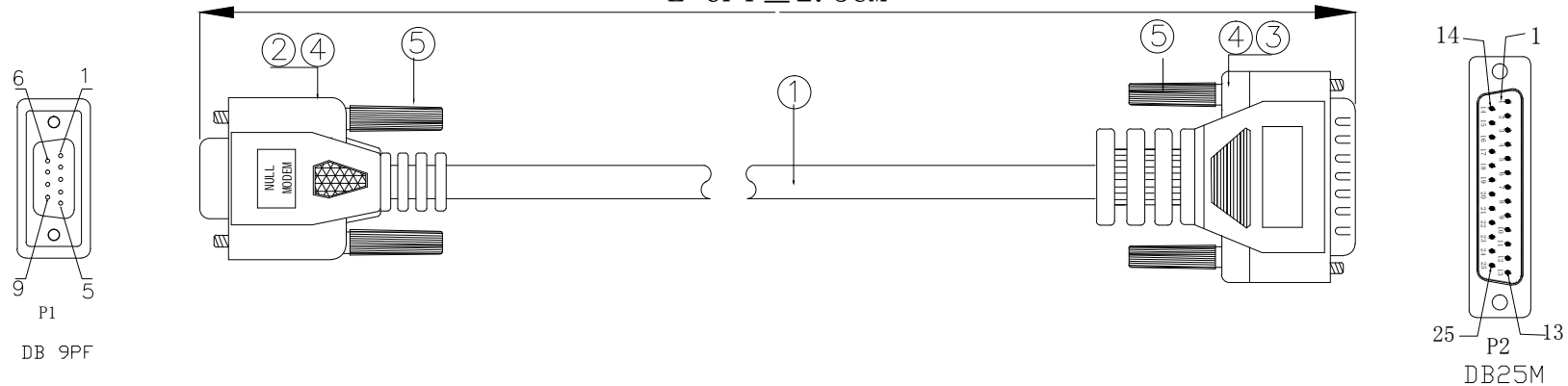


NOTE: ALL MATERIAL COMPLIANT ROHS STANDARD

| REVISION INFORMATION | | | |
|----------------------|------------|-------------|-------------------|
| Rev. | Rev. Date | Modified By | Brief Description |
| | 2024.06.26 | FYQ | CHANGE LOGO |

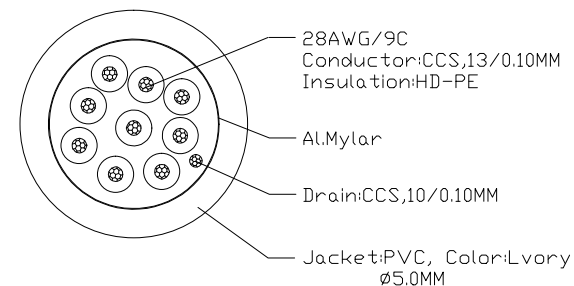
L=6FT ± 2.5CM



Wire point

| P1 | P2 |
|-----|-----|
| 1 | 4&5 |
| 2 | 2 |
| 3 | 3 |
| 4 | 6 |
| 5 | 7 |
| 6 | 20 |
| 7&8 | 8 |
| 9 | 22 |
| G | G |

Wire Details



Technical Requirements

1. Electrical Characteristics:

1.1. cable must pass electrical testing, no short circuit, open circuit, indirect sexual contact, insufficient insulation, dislocation, and other electrical contact resistance of adverse circumstances

1.2 Electrical Test Conditions

Conductor Resistance: 10 Ω

2. Appearance requirements:

2.1 No shot short, shrink, flow liner

2.2 Wire surface printing clear, smooth appearance, can not have scratches and obvious color

2.3 Terminals can not have oxidation or electrodeposited coating fall off

3. Packing: Circle around a single package.

1). Material List :

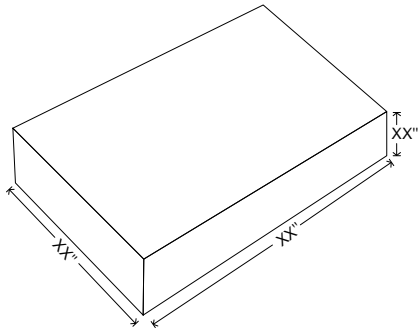
| NO. | PART NAME | SPECIFICATION DESCRIPTION | QTY | UNIT |
|-----|----------------|--|-----|------|
| ⑤ | SCREW | 2.3*45MM Ivory color screw stem | 4 | PCS |
| ④ | Outer Moolding | 45P PVC Ivory color plugs | NA | KG |
| ③ | Connector | DB 25PM two rows of blue iron shell plating nickel | 1 | PCS |
| ② | Connector | DB 9PF two rows of blue iron shell plating nickel | 1 | PCS |
| ① | Wire | 28#(13/0.10CCS)*9C+D(10/0.10CCS)+AL+PVC, Ivory, OD:5.0MM | 6 | FT |



| | | |
|-------------|---------------------|---|
| DRAWN BY | DATE: 2024.06.26 | DESCRIPTION: 6Ft DB9-F/DB25-M Null Modem Cable |
| CHECKED BY | SHEET 1 of 1 | ITEM NO. 180501 |
| APPROVED BY | SCALE 1:1 | REV. 00 UNIT: mm |

NOTE: ALL MATERIAL COMPLIANT ROHS STANDARD

| REVISION INFORMATION | | | |
|----------------------|-----------|-------------|-------------------|
| Rev. | Rev. Date | Modified By | Brief Description |
| | | | |



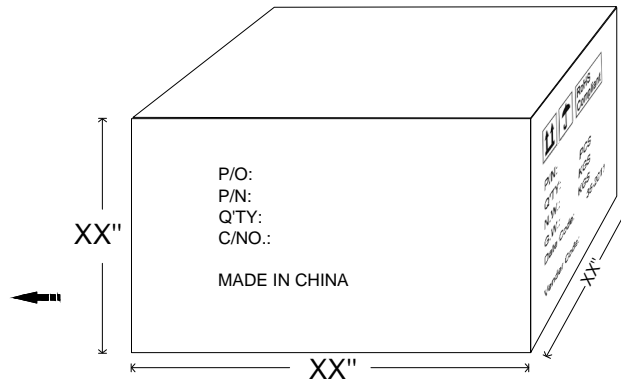
Unit package

Size: 5.9"(L)*8.27"(W)*0.16"(H)

Weight: 0.30 LBS

P/O:*****
P/N:180501
Q'TY:150 PCS
C/NO.:D***

MADE IN CHINA



Carton Size: 21.26"(L)*14.57"(W)*8.67"(H)

Carton Quantity: 150 pcs

Carton Weight: 46.74 LBS

| | | |
|--------------------|--|----------------|
| | | RoHS Compliant |
| P/N: 180501 | | |
| Q'TY: 150 PCS | | |
| N.W.: 20.4 KGS | | |
| G.W.: 21.2 KGS | | |
| Date Code: 35-2011 | | |
| Vender Code: | | |

| | | | |
|-------------|---------------------|---|----------|
| | | | |
| DRAWN BY | DATE: 2024.06.26 | DESCRIPTION: 6Ft DB9-F/DB25-M Null Modem Cable | |
| CHECKED BY | SHEET 1 of 1 | ITEM NO. 180501 | |
| APPROVED BY | SCALE 1:1 | REV. 00 | UNIT: mm |