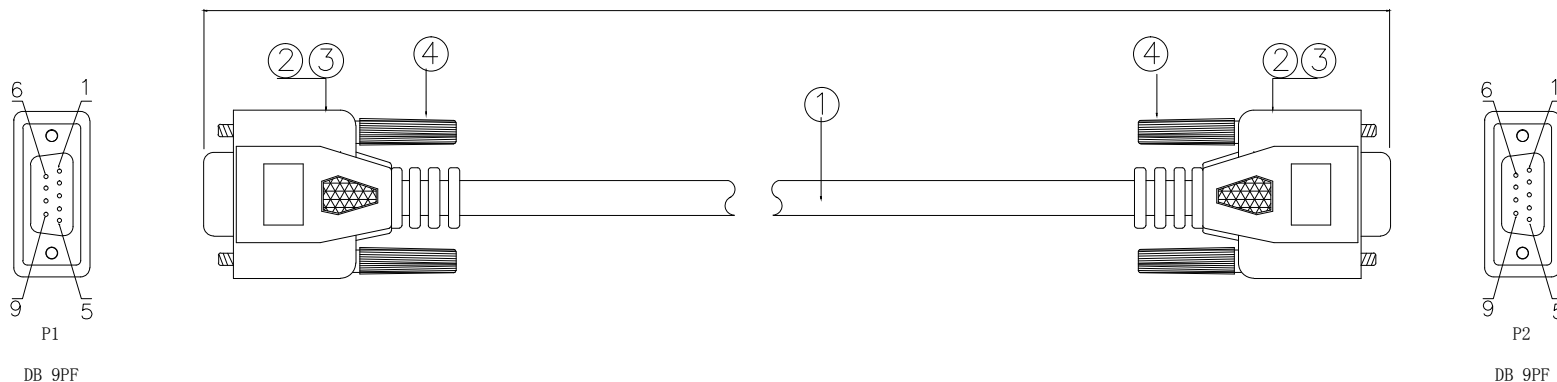


NOTE: ALL MATERIAL COMPLIANT ROHS STANDARD

REVISION INFORMATION			
Rev.	Rev. Date	Modified By	Brief Description
	2024.06.26	FYQ	CHANGE LOGO

15FT ± 5.0CM

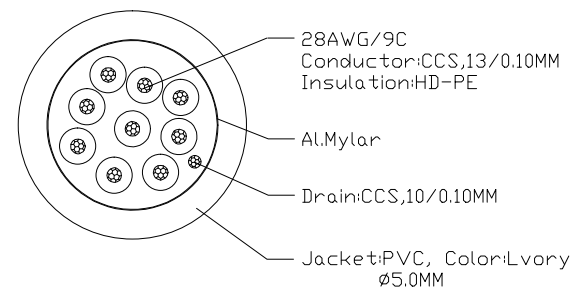


Wire point

P1	P2
1	1
2	2
3	3
4	4
5	5
6	6
7	7
8	8
9	9

shell ——— D ——— shell

Wire Details



Technical Requirements

1.Electrical Characteristics:

1.1.cable must pass electrical testing, no short circuit, open circuit, indirect sexual contact, insufficient insulation, dislocation, and other electrical contact resistance of adverse circumstances

1.2 Electrical Test Conditions

Conductor Resistance:20 Ω

2.Appearance requirements:

2.1 No shot short,shrink, flow liner

2.2 Wire surface printing clear, smooth appearance, can not have scratches and obvious color

2.3 Terminals can not have oxidation or electrodeposited coating fall off

3.Packing: Circle around a single package.

1).Material List :

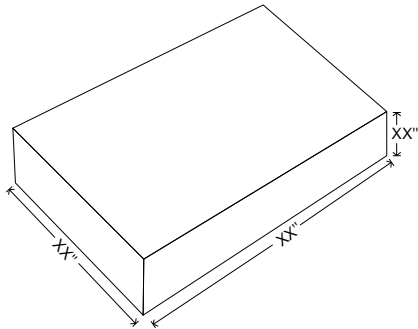
④	SCREW	2.3*45MM IVORY color screw stem	4	PCS
③	Outer Moalding	45P PVC IVORY color plugs	NA	KG
②	Connector	DB 9PF two rows of blue iron shell plating nickel	2	PCS
①	Wire	28# (13/0. 10CCS)*9C+D(10/0. 10CCS)+AL+PVC, Lvory, OD:5. 0MM	15	ft
NO.	PART NAME	SPECIFICATION DESCRIPTION	QT'Y	UNIT



DRAWN BY	DATE: 2024.06.26	DESCRIPTION: 15Ft DB9 Female to Female Serial Cable	
CHECKED BY	SHEET 1 of 1	ITEM NO. 180237	
APPROVED BY	SCALE 1:1	REV. 00	UNIT: mm

NOTE: ALL MATERIAL COMPLIANT ROHS STANDARD

REVISION INFORMATION			
Rev.	Rev. Date	Modified By	Brief Description



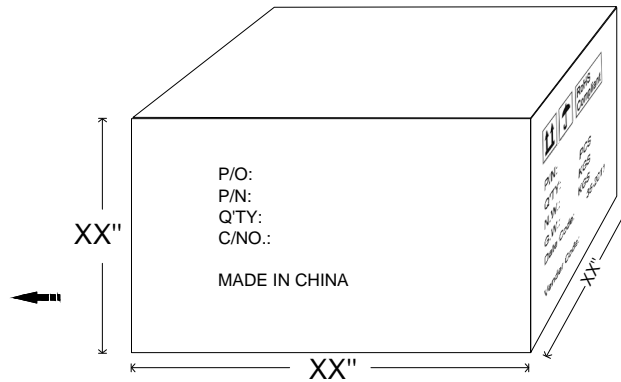
Unit package



Size: 7.08"(L)*9.84"(W)*0.15"(H)

Weight: 0.45 LBS

P/O:*****
P/N:180237
Q'TY:100 PCS
C/NO.:D***

MADE IN CHINA





RoHS Compliant

P/N: 180237
Q'TY: 100 PCS
N.W.: 20.4 KGS
G.W.: 21.2 KGS
Date Code: 35-2011

Vender Code:

Carton Size:21.26"(L)*14.57"(W)*8.67"(H)

Carton Quantity: 100 pcs

Carton Weight: 46.74 LBS

			
DRAWN BY	DATE: 2024.06.26	DESCRIPTION: 15Ft DB9 Female to Female Serial Cable	
CHECKED BY	SHEET 1 of 1	ITEM NO. 180237	
APPROVED BY	SCALE 1:1	REV. 00	UNIT: mm  