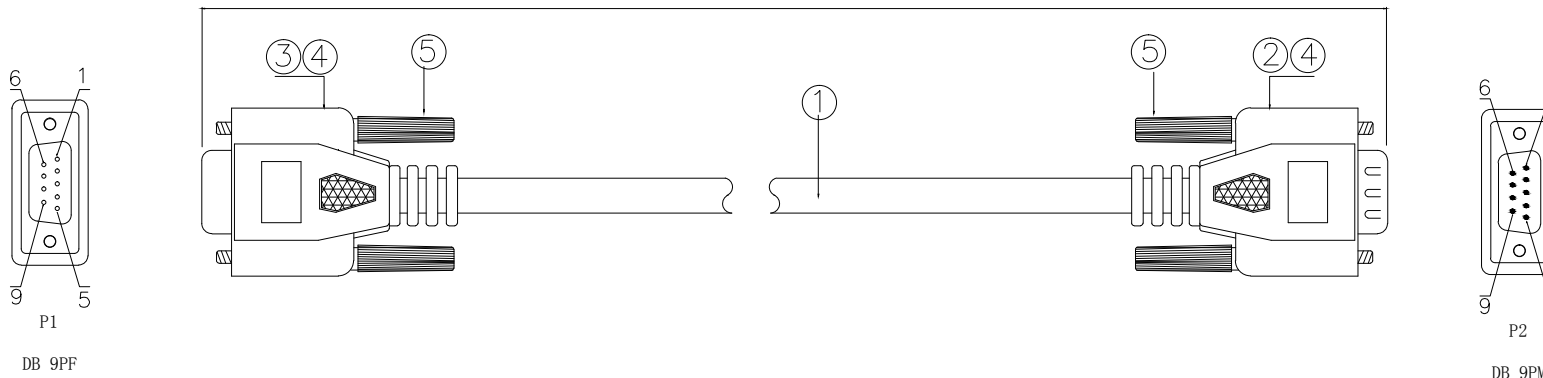


NOTE: ALL MATERIAL COMPLIANT ROHS STANDARD

REVISION INFORMATION			
Rev.	Rev. Date	Modified By	Brief Description
	2024.06.26	FYQ	CHANGE LOGO

100FT ± 30CM



Wire point

P1	P2
1	1
2	2
3	3
4	4
5	5
6	6
7	7
8	8
9	9

shell — D — shell

Technical Requirements

1.Electrical Characteristics:

1.1.cable must pass electrical testing, no short circuit, open circuit, indirect sexual contact, insufficient insulation, dislocation, and other electrical contact resistance of adverse circumstances

1.2 Electrical Test Conditions

Conductor Resistance:30 Ω

2.Appearance requirements:

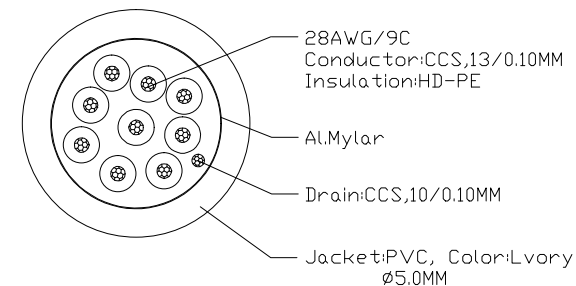
2.1 No shot short,shrink, flow liner

2.2 Wire surface printing clear, smooth appearance, can not have scratches and obvious color

2.3 Terminals can not have oxidation or electrodeposited coating fall off

3.Packing: Circle around a single package.

Wire Details



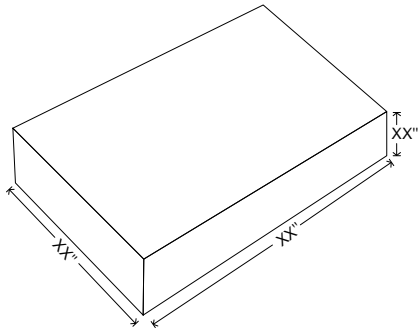
1).Material List :

NO.	PART NAME	SPECIFICATION DESCRIPTION	QTY	UNIT
⑤	SCREW	2.3*49MM IVORY color screw stem	4	PCS
④	Outer Moalading	45P PVC IVORY color plugs	NA	KG
③	Connector	DB 9PF two rows of blue iron shell plating nickel	1	PCS
②	Connector	DB 9PM two rows of blue iron shell plating nickel	1	PCS
①	Wire	28#(13/0.10CCS)*9C+D(10/0.10CCS)+AL+PVC, Ivory, OD:5.0MM	100	ft

DRAWN BY	DATE: 2024.06.26	DESCRIPTION: 100Ft DB9 Male to Female Serial Cable
CHECKED BY	SHEET 1 of 1	ITEM NO. 180236
APPROVED BY	SCALE 1:1	REV. 00 UNIT: mm

NOTE: ALL MATERIAL COMPLIANT ROHS STANDARD

REVISION INFORMATION			
Rev.	Rev. Date	Modified By	Brief Description

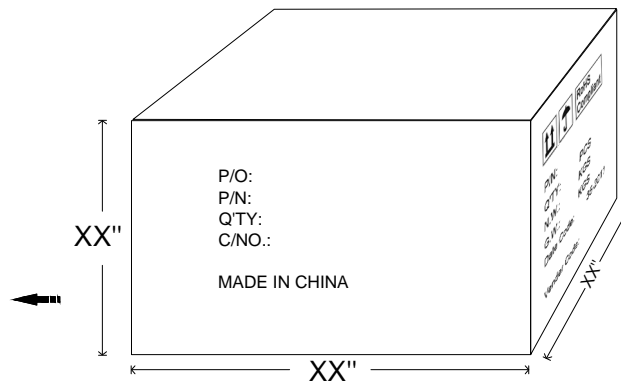




Unit package

Size: 10.43"(L)\*13.19"(W)\*0.31"(H)

Weight: 2.31 LBS

P/O:\*\*\*\*\*  
P/N:180236  
Q'TY:20 PCS  
C/NO.:D\*\*\*  
  
MADE IN CHINA





RoHS Compliant  
  
P/N: 180236  
Q'TY: 20 PCS  
N.W.: 21 KGS  
G.W.: 21.8 KGS  
Date Code: 35-2011  
  
Vender Code:

Carton Size: 21.26"(L)\*14.57"(W)\*8.67"(H)

Carton Quantity: 20 pcs

Carton Weight: 48.06 LBS

			
DRAWN BY	DATE: 2024.06.26	DESCRIPTION: 100Ft DB9 Male to Female Serial Cable	
CHECKED BY	SHEET 1 of 1	ITEM NO. 180236	
APPROVED BY	SCALE 1:1	REV. 00	UNIT: mm  