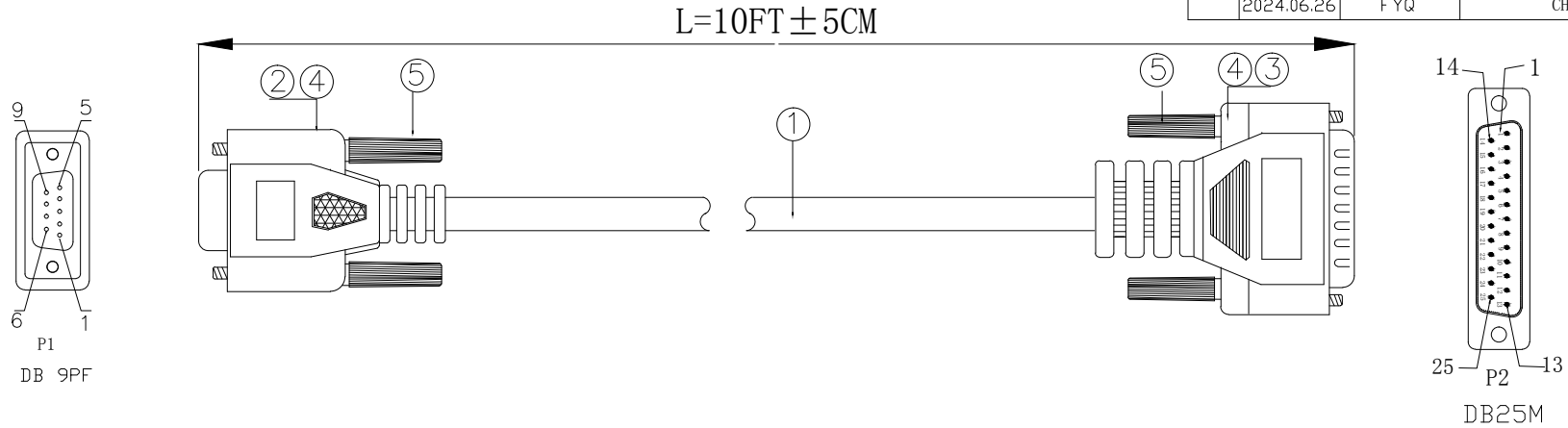


NOTE: ALL MATERIAL COMPLIANT ROHS STANDARD

REVISION INFORMATION			
Rev.	Rev. Date	Modified By	Brief Description
	2024.06.26	FYQ	CHANGE LOGO



Line a table

DB 9PF	DB25M
1	8
2	3
3	2
4	20
5	7
6	6
7	4
8	5
9	22
G	G

Technical Requirements

1.Electrical Characteristics:

Electrical testing should be finished i.1, cannot have short circuit breakers, intermittent contact, insulation, dislocation, contact resistance and electrical adverse circumstances.

1.2 Electrical Test Conditions

Conduction impedance:10Ω  
Insulation resistance:10MΩ/300V

2.Appearance requirements:

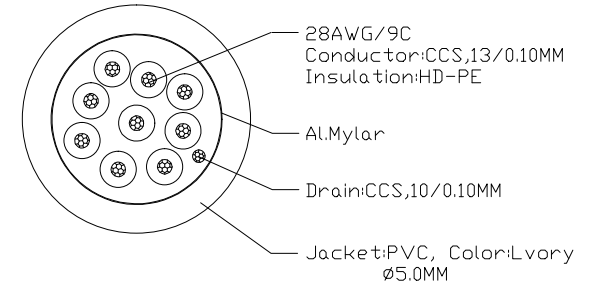
There can be no external formwork 2.1, full mould flow lines and shrink wait for a phenomenon.

2.2 Wire surface printing clean, smooth, do not have clear off color and scratches.

Do not have 230 terminals oxidation and electric plating falls off phenomenon.

3.Packing: Blank PE bag+TAB, a single round packaging.

Wire Details



1).Material List :

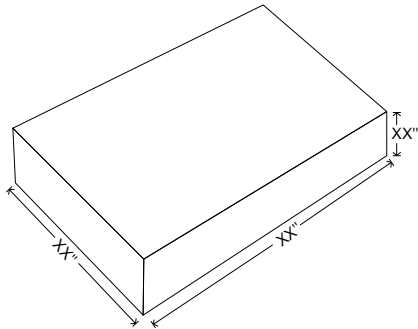
NO.	PART NAME	SPECIFICATION DESCRIPTION	QT'Y	UNIT
⑤	SCREW	2.3*45MM Ivory color screw stem	4	PCS
④	Outer Moal ding	45P PVC Ivory color plugs	NA	KG
③	Connector	DB 25PM two rows of blue iron shell plating nickel	1	PCS
②	Connector	DB 9PF two rows of blue iron shell plating nickel	1	PCS
①	Wire	28#(13/0.10CCS)*9C+D(10/0.10CCS)+AL+PVC, Ivory, OD:5.0MM	1	FT

DRAWN BY	DATE: 2024.06.26	DESCRIPTION: 10Ft DB9-F/DB25-M Serial Cable
CHECKED BY	SHEET 1 of 1	ITEM NO. 180222
APPROVED BY	SCALE 1:1	REV. 00 UNIT: mm

NOTE: ALL MATERIAL COMPLIANT ROHS STANDARD

REVISION INFORMATION

Rev.	Rev. Date	Modified By	Brief Description

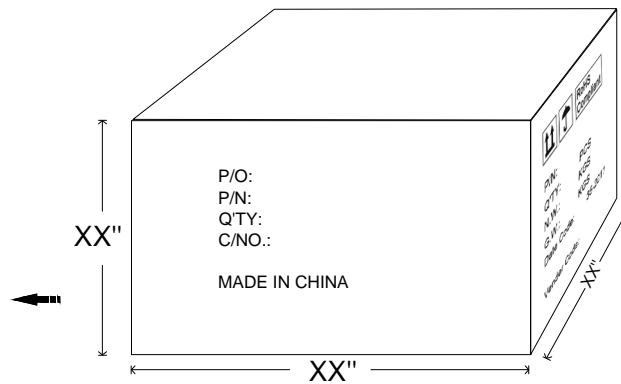


Unit package

Size: 7.08"(L)\*9.84"(W)\*0.15"(H)

Weight: 0.37 LBS

P/O:\*\*\*\*\*  
P/N:180222  
Q'TY:100 PCS  
C/NO.:D\*\*\*  
  
MADE IN CHINA



↑↑    ↑    RoHS Compliant

P/N: 180222  
Q'TY: 100    PCS  
N.W.: 17    KGS  
G.W.: 17.8    KGS  
Date Code: 35-2011

Vender Code:

Carton Size: 21.26"(L)\*14.57"(W)\*8.67"(H)

)Carton Quantity: 100 pcs

Carton Weight: 39.24 LBS



DRAWN BY	DATE: 2024.06.26	DESCRIPTION: 10Ft DB9-F/DB25-M Serial Cable
CHECKED BY	SHEET 1 of 1	ITEM NO. 180222
APPROVED BY	SCALE 1:1	REV. 00    UNIT: mm