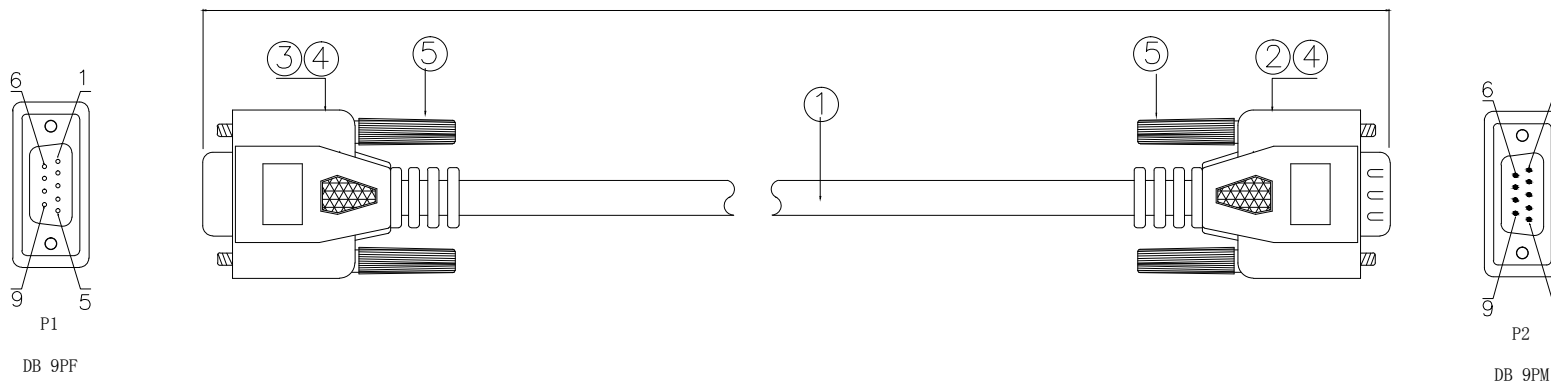


NOTE: ALL MATERIAL COMPLIANT ROHS STANDARD

REVISION INFORMATION			
Rev.	Rev. Date	Modified By	Brief Description
	2024.06.26	FYQ	CHANGE LOGO

25FT ± 8.0CM



Wire point

Technical Requirements

1.Electrical Characteristics:

1.1.cable must pass electrical testing, no short circuit, open circuit, indirect sexual contact, insufficient insulation, dislocation, and other electrical contact resistance of adverse circumstances

1.2 Electrical Test Conditions

Conductor Resistance:20 Ω

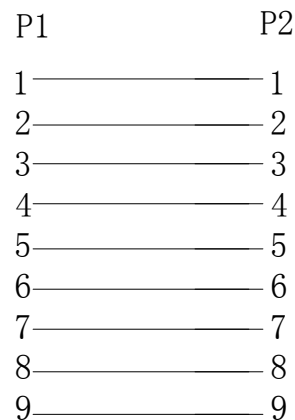
2.Appearance requirements:

2.1 No shot short,shrink, flow liner

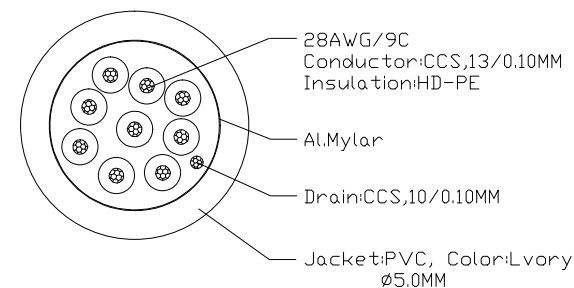
2.2 Wire surface printing clear, smooth appearance, can not have scratches and obvious color

2.3 Terminals can not have oxidation or electrodeposited coating fall off

3.Packing: Circle around a single package.



Wire Details



shell ——— D ——— shell

1).Material List :

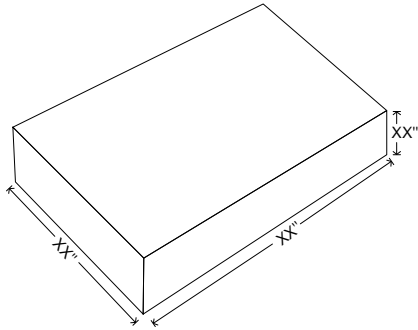
⑤	SCREW	2.3*49MM IVORY color screw stem	4	PCS
④	Outer Moalding	45P PVC IVORY color plugs	NA	KG
③	Connector	DB 9PF two rows of blue iron shell plating nickel	1	PCS
②	Connector	DB 9PM two rows of blue iron shell plating nickel	1	PCS
①	Wire	28#(13/0.10CCS)*9C+D(10/0.10CCS)+AL+PVC, Lvory, OD:5.0MM	25	ft
NO.	PART NAME	SPECIFICATION DESCRIPTION	QTY	UNIT



DRAWN BY	DATE: 2024.06.26	DESCRIPTION: 25Ft DB9 Male to Female Serial Cable
CHECKED BY	SHEET 1 of 1	ITEM NO. 180218
APPROVED BY	SCALE 1:1	REV. 00 UNIT: mm

NOTE: ALL MATERIAL COMPLIANT ROHS STANDARD

REVISION INFORMATION			
Rev.	Rev. Date	Modified By	Brief Description



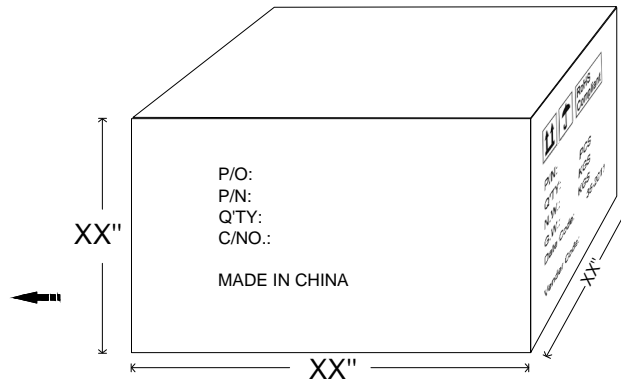
Unit package

Size: 7.08"(L)*9.84"(W)*0.15"(H)

Weight: 0.66 LBS

P/O:*****
P/N:180218
Q'TY:50 PCS
C/NO.:D***

MADE IN CHINA



		RoHS Compliant
P/N: 180218		
Q'TY: 50 PCS		
N.W.: 15.0 KGS		
G.W.: 15.8 KGS		
Date Code: **-20**		
Vendor Code:		

Carton Size: 21.26"(L)*14.57"(W)*8.67"(H)

Carton Quantity: 50 pcs

Carton Weight: 34.83 LBS

DRAWN BY	DATE: 2024.06.26	DESCRIPTION: 25Ft DB9 Male to Female Serial Cable	
CHECKED BY	SHEET 1 of 1	ITEM NO. 180218	
APPROVED BY	SCALE 1:1	REV. 00	UNIT: mm