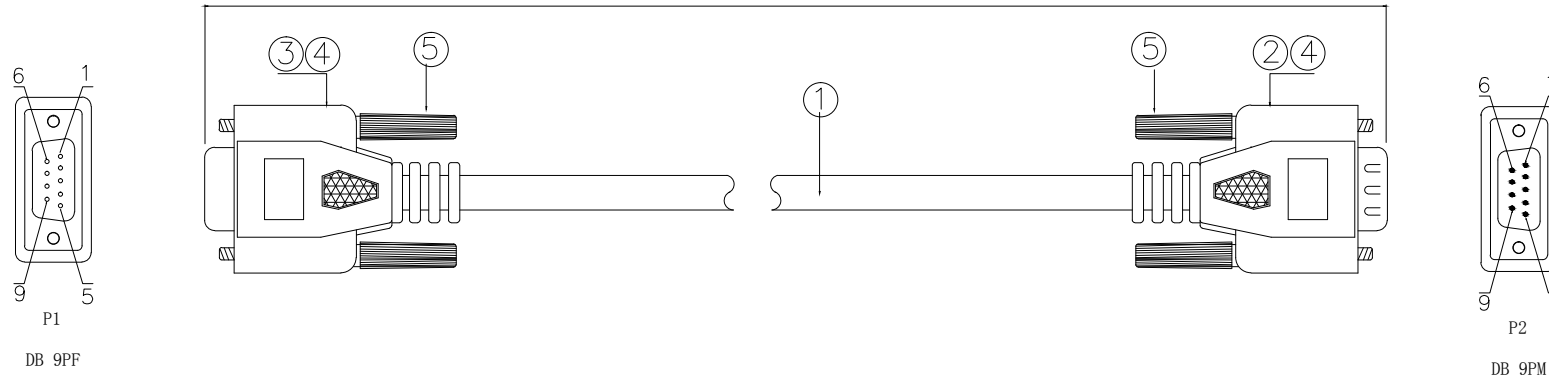


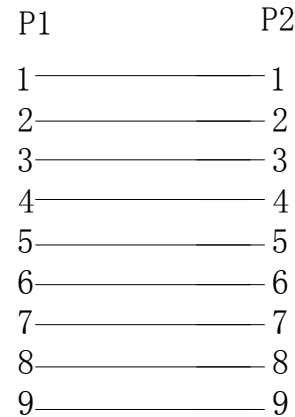
NOTE: ALL MATERIAL COMPLIANT ROHS STANDARD

REVISION INFORMATION			
Rev.	Rev. Date	Modified By	Brief Description
	2024.06.26	FYQ	CHANGE LOGO

10FT ± 3.0CM

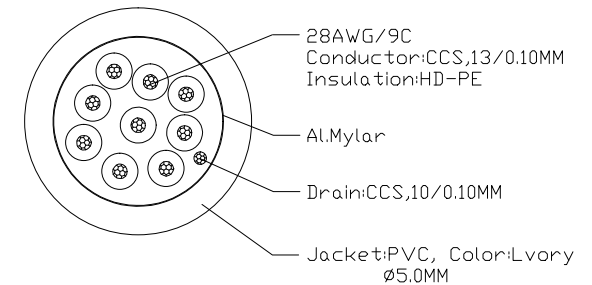


Wire point



shell — D — shell

Wire Details



Technical Requirements

1.Electrical Characteristics:

1.1.cable must pass electrical testing, no short circuit, open circuit, indirect sexual contact, insufficient insulation, dislocation, and other electrical contact resistance of adverse circumstances

1.2 Electrical Test Conditions

Conductor Resistance:10 Ω

2.Appearance requirements:

2.1 No shot short,shrink, flow liner

2.2 Wire surface printing clear, smooth appearance, can not have scratches and obvious color

2.3 Terminals can not have oxidation or electrodeposited coating fall off

3.Packing: Circle around a single package.

1).Material List :

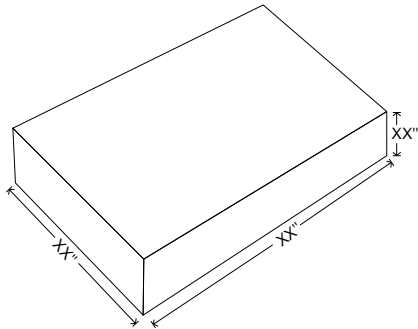
NO.	PART NAME	SPECIFICATION DESCRIPTION	QT'Y	UNIT
⑤	SCREW	2.3*49MM IVORY color screw stem	4	PCS
④	Outer Moal ding	45P PVC IVORY color plugs	NA	KG
③	Connector	DB 9PF two rows of blue iron shell plating nickel	1	PCS
②	Connector	DB 9PM two rows of blue iron shell plating nickel	1	PCS
①	Wire	28# (13/0.10CCS)*9C+D (10/0.10CCS)+AL+PVC, Ivory, OD:5.0MM	10	ft

DRAWN BY	DATE: 2024.06.26	DESCRIPTION: 10Ft DB9 Male to Female Serial Cable
CHECKED BY	SHEET 1 of 1	ITEM NO. 180216
APPROVED BY	SCALE 1:1	REV. 00 UNIT: mm

NOTE: ALL MATERIAL COMPLIANT ROHS STANDARD

REVISION INFORMATION

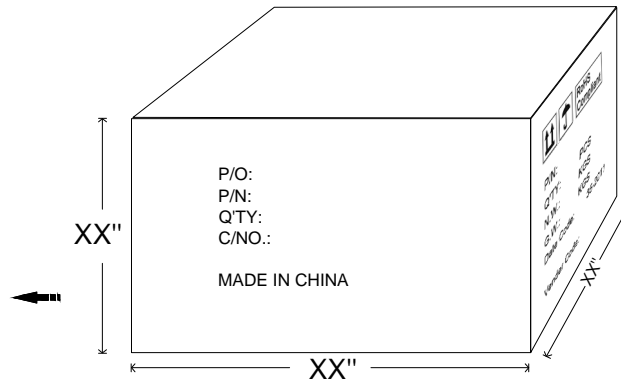
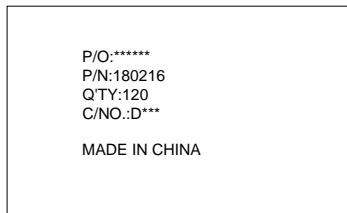
Rev.	Rev. Date	Modified By	Brief Description



Unit package

Size: 7.08"(L)*9.84"(W)*0.15"(H)

Weight: 0.35 LBS



		RoHS Compliant
P/N: 180216		
Q'TY: 120 PCS		
N.W.: 19.1 KGS		
G.W.: 19.9 KGS		
Date Code: 35-2011		
Vender Code:		

Carton Size: 21.26"(L)*14.57"(W)*8.67"(H)

Carton Quantity:120 pcs

Carton Weight: 43.88LBS



DRAWN BY	DATE: 2024.06.26	DESCRIPTION: 10Ft DB9 Male to Female Serial Cable	
CHECKED BY	SHEET 1 of 1	ITEM NO. 180216	
APPROVED BY	SCALE 1:1	REV. 00	UNIT: mm