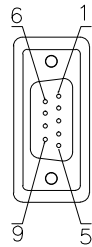


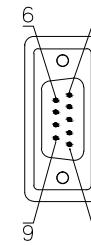
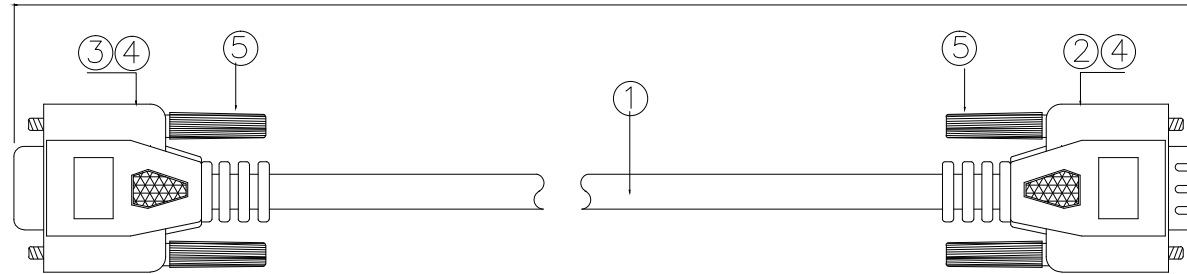
NOTE: ALL MATERIAL COMPLIANT ROHS STANDARD

REVISION INFORMATION			
Rev.	Rev. Date	Modified By	Brief Description
	2024.06.26	FYQ	CHANGE LOGO

6FT ± 2.5CM



P1  
DB 9PF



P2  
DB 9PM

Wire point

P1	P2
1	1
2	2
3	3
4	4
5	5
6	6
7	7
8	8
9	9

shell — D — shell

Technical Requirements

1. Electrical Characteristics:

1.1. cable must pass electrical testing, no short circuit, open circuit, indirect sexual contact, insufficient insulation, dislocation, and other electrical contact resistance of adverse circumstances

1.2 Electrical Test Conditions

Conductor Resistance: 10 Ω

2. Appearance requirements:

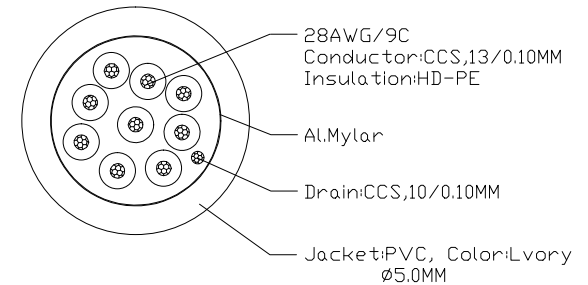
2.1 No shot short, shrink, flow liner

2.2 Wire surface printing clear, smooth appearance, can not have scratches and obvious color

2.3 Terminals can not have oxidation or electrodeposited coating fall off

3. Packing: Circle around a single package.

Wire Details



1). Material List :

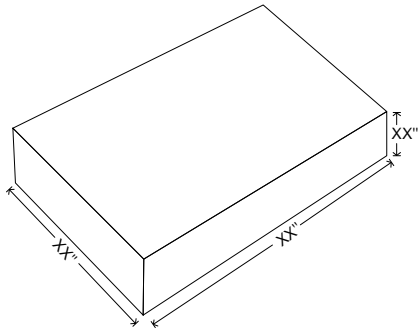
NO.	PART NAME	SPECIFICATION DESCRIPTION	QTY	UNIT
⑤	SCREW	2.3*45MM IVORY color screw stem	4	PCS
④	Outer Moaldding	45P PVC IVORY color plugs	NA	KG
③	Connector	DB 9PF two rows of blue iron shell plating nickel	1	PCS
②	Connector	DB 9PM two rows of blue iron shell plating nickel	1	PCS
①	Wire	28# (13/0. 10CCS)*9C+D(10/0. 10CCS)+AL+PVC, Lvory, OD:5. 0MM	6	ft



DRAWN BY	DATE: 2024.06.26	DESCRIPTION: 6Ft DB9 Male to Female Serial Cable	
CHECKED BY	SHEET 1 of 1	ITEM NO. 180215	
APPROVED BY	SCALE 1:1	REV. 00	UNIT: mm

NOTE: ALL MATERIAL COMPLIANT ROHS STANDARD

REVISION INFORMATION			
Rev.	Rev. Date	Modified By	Brief Description

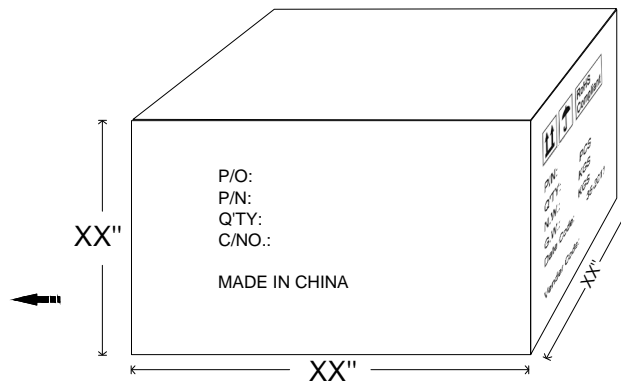


Unit package

Size: 5.9"(L)\*8.27"(W)\*0.16"(H)

Weight: 0.26 LBS

P/O: \*\*\*\*\*  
P/N:180215  
Q'TY:120 PCS  
C/NO.:D\*\*\*  
  
MADE IN CHINA



		RoHS Compliant
P/N: 180215		
Q'TY: 120 PCS		
N.W.: 13.8 KGS		
G.W.: 14.6 KGS		
Date Code: 35-2011		
Vender Code:		

Carton Size: 21.26"(L)\*14.57"(W)\*8.67"(H)

Carton Quantity: 120pcs

Carton Weight: 32.18LBS



DRAWN BY	DATE: 2024.06.26	DESCRIPTION: 6Ft DB9 Male to Female Serial Cable
CHECKED BY	SHEET 1 of 1	ITEM NO. 180215
APPROVED BY	SCALE 1:1	REV. 00 UNIT: mm