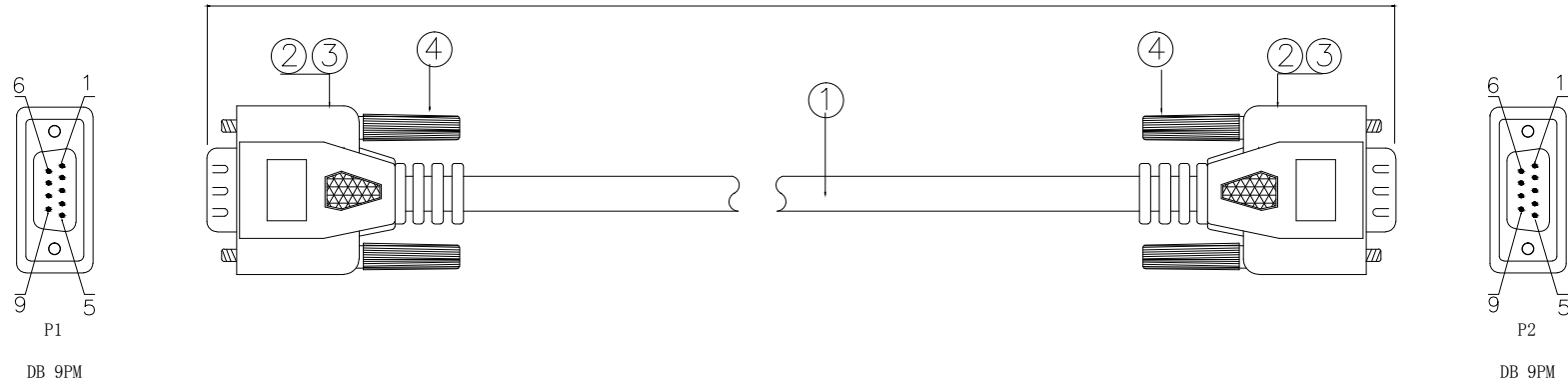


NOTE: ALL MATERIAL COMPLIANT ROHS STANDARD

REVISION INFORMATION			
Rev.	Rev. Date	Modified By	Brief Description
	2024.06.26	FYQ	CHANGE LOGO

6FT ± 2.5CM

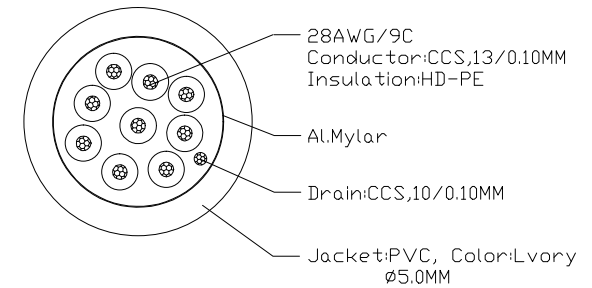


Wire point

P1	P2
1	1
2	2
3	3
4	4
5	5
6	6
7	7
8	8
9	9

shell — D — shell

Wire Details



Technical Requirements

1. Electrical Characteristics:

1.1. cable must pass electrical testing, no short circuit, open circuit, indirect sexual contact, insufficient insulation, dislocation, and other electrical contact resistance of adverse circumstances

1.2 Electrical Test Conditions

Conductor Resistance: 10 Ω

2. Appearance requirements:

2.1 No shot short, shrink, flow liner

2.2 Wire surface printing clear, smooth appearance, can not have scratches and obvious color

2.3 Terminals can not have oxidation or electrodeposited coating fall off

3. Packing: Circle around a single package.

1). Material List :

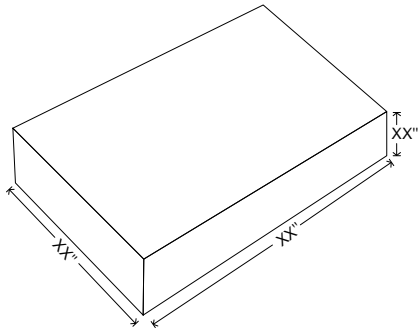
④	SCREW	2.3*49MM IVORY color screw stem	4	PCS
③	Outer Moolding	45P PVC IVORY color plugs	NA	KG
②	Connector	DB 9PM two rows of blue iron shell plating nickel	2	PCS
①	Wire	28#(13/0.10CCS)*9C+D(10/0.10CCS)+AL+PVC, Ivory, OD:5.0MM	6	ft
NO.	PART NAME	SPECIFICATION DESCRIPTION	QTY	UNIT



DRAWN BY	DATE: 2024.06.26	DESCRIPTION: 6Ft DB9 Male to Male Serial Cable	
CHECKED BY	SHEET 1 of 1	ITEM NO. 180211	
APPROVED BY	SCALE 1:1	REV. 00	UNIT: mm

NOTE: ALL MATERIAL COMPLIANT ROHS STANDARD

REVISION INFORMATION			
Rev.	Rev. Date	Modified By	Brief Description

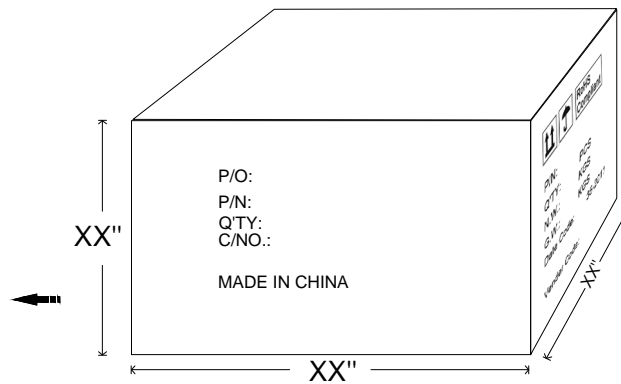



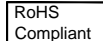
Unit package

Size: 5.9"(L)\*8.27"(W)\*0.16"(H)

Weight: 0.28 LBS

P/O:\*\*\*\*\*  
P/N:180211  
Q'TY:120 pcs  
C/NO.: D\*\*\*  
  
MADE IN CHINA



  RoHS Compliant

P/N: 180211  
Q'TY: 120 PCS  
N.W.: 14.2 KGS  
G.W.: 15 KGS  
Date Code: \*\*-\*\*\*\*  
  
Vender Code:

Carton Size: 21.26"(L)\*14.57"(W)\*8.67"(H)

Carton Quantity: 120 pcs

Carton Weight: 33.06 LBS

			
DRAWN BY	DATE: 2024.06.26	DESCRIPTION: 6Ft DB9 Male to Male Serial Cable	
CHECKED BY	SHEET 1 of 1	ITEM NO. 180211	
APPROVED BY	SCALE 1:1	REV. 00	UNIT: mm 