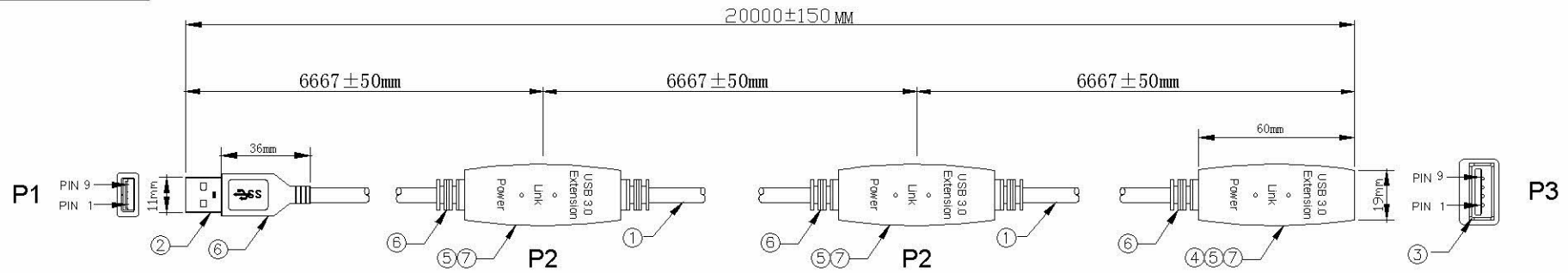
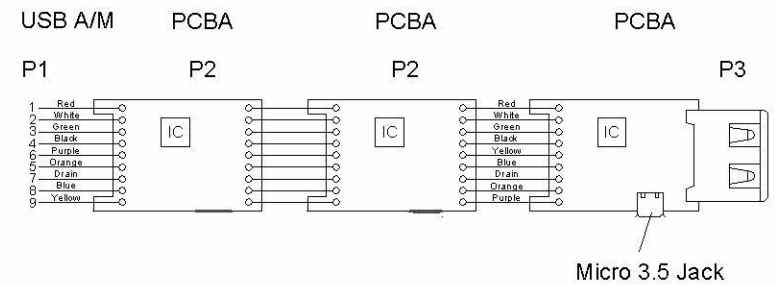




REV.	ECN. NO.	DESCRIPTION	APR.	DATE
1.0				



1. Support data transfer rate:High-Speed USB3.0(5Gbps).
2. Compliant with specification USB3.0
3. External power require 5v 2A micro cable
4. USB A-M is to connect with Computer, USB A-F is for device
5. Hot swappable.plug and play,no driver
6. Red light [Power indicator] Green light [Signal indicator]If that green light is blinking or not, need an external power source



IC:VL210

1.	CABLE:1P*28#+D+AL+Mylar*2(7/0.127mm) 1P*28AWG(7/0.12mm)2C+24AWG(7/0.20mm)PVC OD5.5 BLACK
2.	USB 3.0 AM PIN G/F,Shell Nickel Plated,Blue Insulater
3.	USB 3.0 AF PIN G/F,Shell Nickel Plated,Blue Insulater
4.	Micro JACK 3.5*1.4 PIN Nickel Plated Black Insulaor
5.	PCBA PCBAXY189
6.	PVC 45P Black for AM Molding with logo
7.	ABS SHELL ABS Black,"USB 3.0 Repeater,LOGO,P,D" in White Printings
8.	SR PVC 45P Blue (PANTONE299C)

BESTLINK NETWORKARE			
.X± 0.35	X.*± 1.5°	APR.	TITLE: 65FT USB3.0 Active Extension cable UNITS. MM
.XX± 0.25	.X*± 1.0°	CHK.	DWG NO. 150183 SHEET. 1 / 1
.XXX± 0.15	.XX*± 0.5°	DRA.	PROJ. CUSTOMER DRAWING SCALE. NO SHEET REV. 1.0