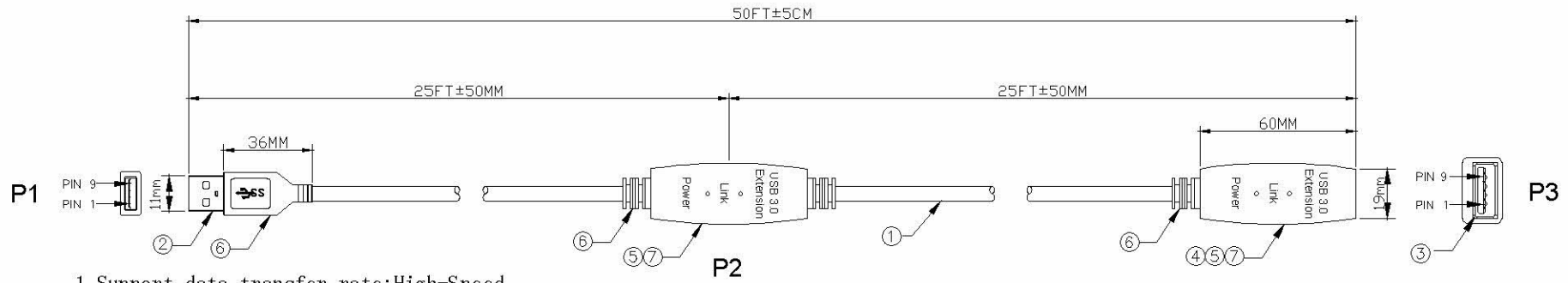
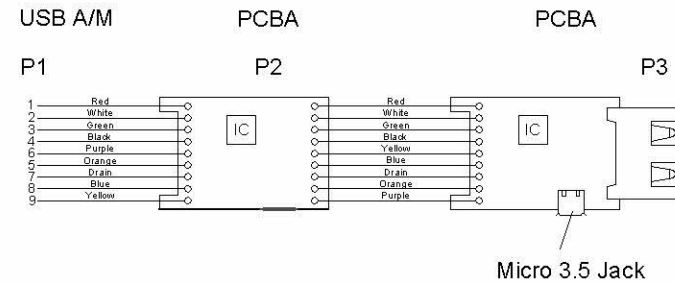




REV.	ECN. NO.	DESCRIPTION	APR.	DATE
1.0				



1. Support data transfer rate:High-Speed USB3.0(5Gbps).
2. Compliant with specification USB3.0
- 3.External power require 5v 2A micro cable
- 4.USB A-M is to connect with Computer, USB A-F is for device
5. Hot swappable.plugin and play,no driver
- 6.Red light [Power indicator] Green light [Signal indicator]If that green light is blinking or not, need an external power source



IC:VL210

1.	CABLE:1P*28#+D+AL+Mylar*2(7/0.127mm) 1P*28AWG(7/0.12mm)2C+24AWG(7/0.20mm)PVC OD5.5 BLACK
2.	USB 3.0 AM PIN G/F,Shell Nickel Plated,Blue Insulater
3.	USB 3.0 AF PIN G/F,Shell Nickel Plated,Blue Insulater
4.	Micro JACK 3.5*1.4 PIN Nickel Plated Black Insulaor
5.	PCBA PCBAXY189
6.	PVC 45P Black for AM Molding with logo
7.	ABS SHELL ABS Black,"USB 3.0 Repeater,LOGO,P,D" in White Printings
8.	SR PVC 45P Blue (PANTONE299C)

.X± 0.35	X.*± 1.5*	APR.	TITLE: 50ft USB3.0 Active Extension cable	UNITS. MM
.XX± 0.25	.X*± 1.0*	CHK.	DWG NO. 150182	SHEET. 1 / 1
.XXX± 0.15	.XX*± 0.5*	DRA.	PROJ.	CUSTOMER DRAWING
			SCALE. NO	SHEET REV. 1.0