

Product Description:

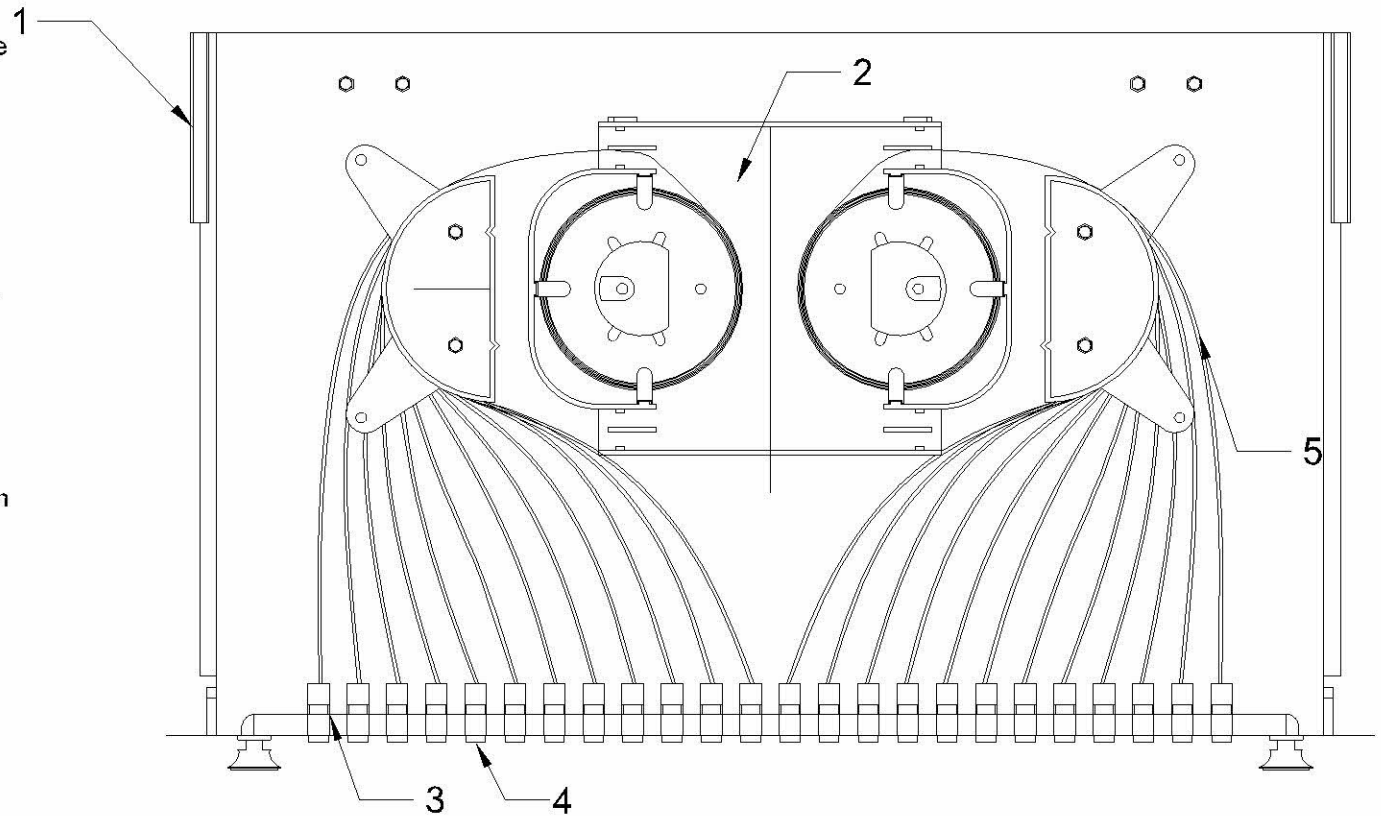
It is made of 1U 19" cold-roll steel box, with plastic splice tray inside, suitable for pigtail, ribbon and bunch cable distribution. And it has aluminum sliding fitting with self-locking functions prevent the drawer from falling when moved.

Features:

1. Standard size, light weight and reasonable structure
2. Slide out drawer for easy cable management; FC, SC, ST, LC adapter ports optional
3. Front access panel design for easy operation
4. Suitable for 19" standard optic distribution cabinets
5. 4 fiber cable entry ports at rear side; Max. capacity 48 fibers
6. Material: Cold-roll steel; black color
7. Spraying tolerance range is between 0.08 and 0.12mm
8. Thickness:
Inner case is 0.9mm,
outer case 1.1mm,
adapter bar 1.4mm,
mounting lug 1.4mm,
Spraying tolerance 0.08-0.12mm

Performance:

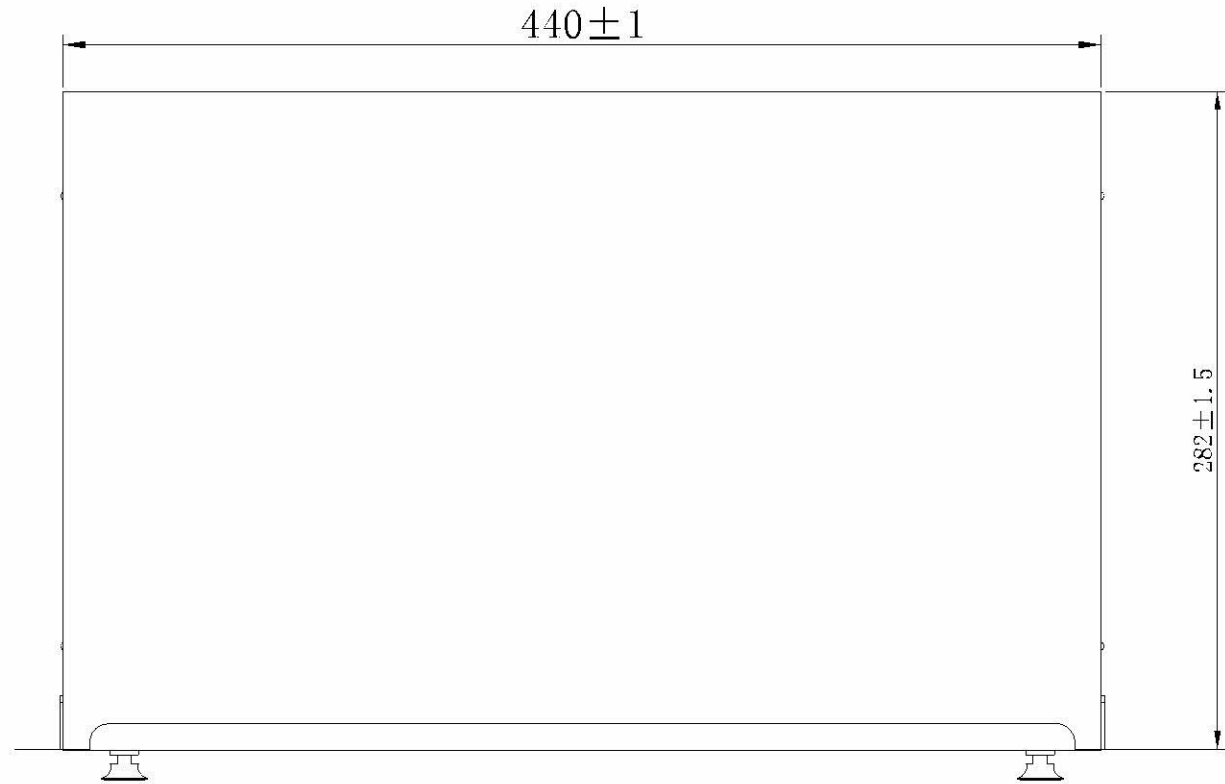
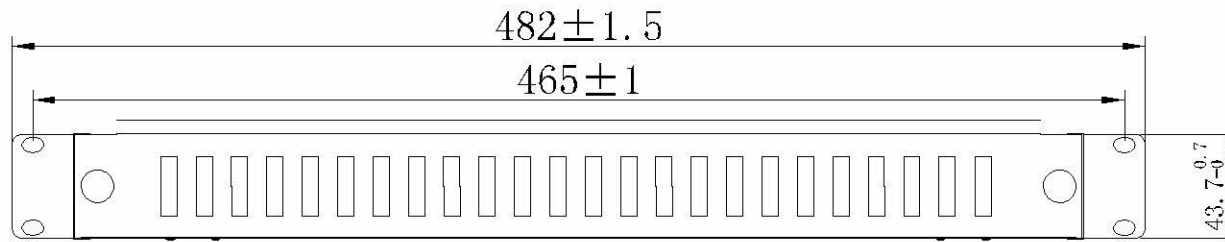
1. SC/UPC: IL ≤ 0.30dB; RL ≥ 50dB (@1330nm & 1550nm).
2. Geometry (percent of pass ≥ 85%):
Fiber Height: -100 ~ +100nm;
Radius of curvature: 10 ~ 25mm;
Apex Offset: 0 ~ 50µm;
3. The end face meets IEC 61300-3-35 standard.
4. Storage or transportation: -20°C ~ 70°C
5. Operation: -10°C ~ 60°C



Item (Carton)	X-Item (PE bag)	Length
105602	X5602	≥1m

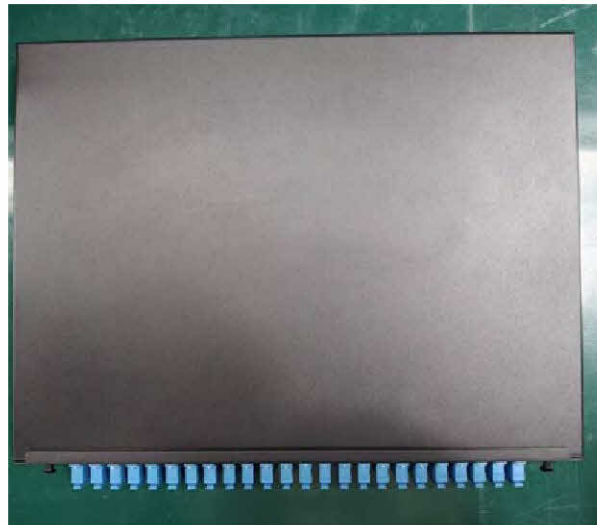
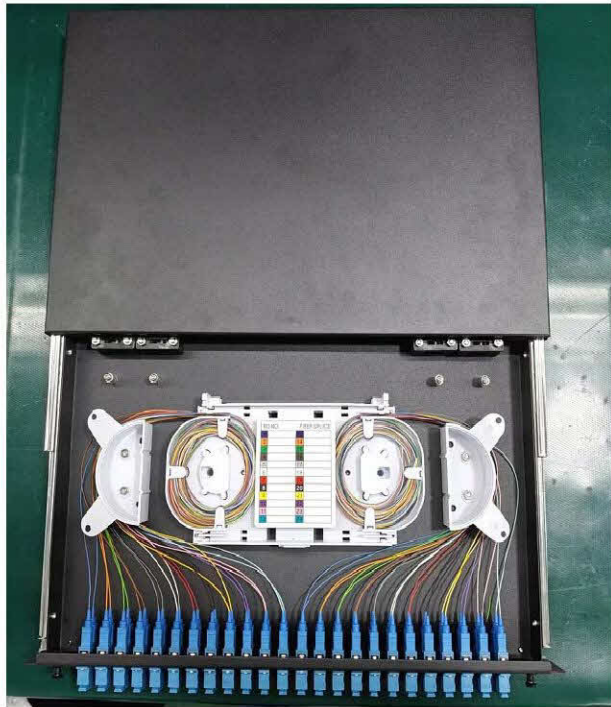
NO.	Specifications	Dimension	Material	Color	Qty.
1	Steel box	482mmx282mmx43.7mm	Cold-roll steel	Black	1
2	Fiber optic splice tray	/	ABS plastic	White	2
3	SC duplex adaptor	/	/	/	24
4	PE Blue T-type dust cap	/	PE	Blue	24
5	Fibers	≥1m	/	12 colors	48
01	First Issue		XY.WEI		01-22-2025
REV	REVISION RECORD DESP.	ECN.NO	ZONE	BY	DATE

TOLERANCE	±MM	PART DESCRIPTION		PART NO.	
X	—	Slidable Rack-mount ODF ARS48BM		105602	
X.X	—	DRAWN XY.WEI		CHKD F.SUN	
X.XX	—			APROVED Ethan Cao	
X.XXX	—	SCALE	UNIT	QTY	PAGE
REV	—	—	mm	1 PCS	1 OF 4
P/N	—	THIRD ANGLE PROJECTION			



Item (Carton)	X-Item (PE bag)	Length
105602	X5602	≥1m

DRAWN		CHKD		APROVED
XY.WEI		F.SUN		Ethan Cao
SCALE	UNIT	QTY	PAGE	THIRD ANGLE PROJECTION
—	mm	1 PCS	2 OF 4	



Picture of real product



Picture of Accessories

Descriptions of Accessories:

Item	Specification	QTY
Heat shrinkable protection sleeve	45*2.6*1.2mm	As per using capacity
Cable tie	3*120mm	4PCS
Screw	/	6PCS
Plastic cable guider ring	/	2PCS

DRAWN XY.WEI		CHKD F.SUN		APROVED Ethan Cao
SCALE —	UNIT mm	QTY 1 PCS	PAGE 3 OF 4	THIRD ANGLE PROJECTION 