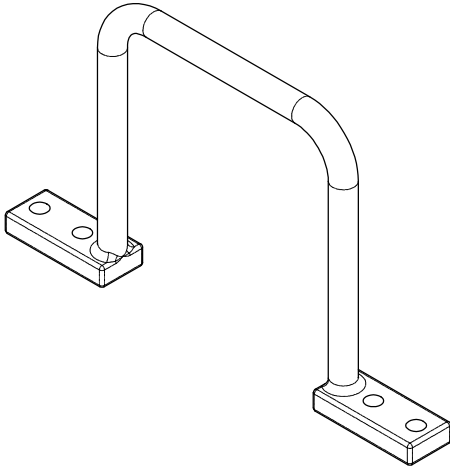
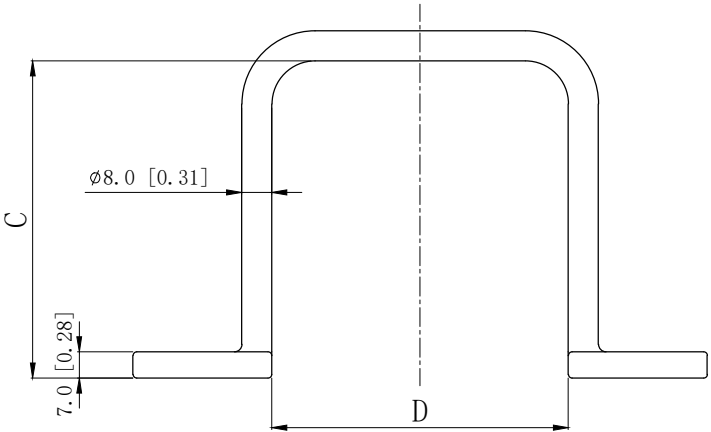
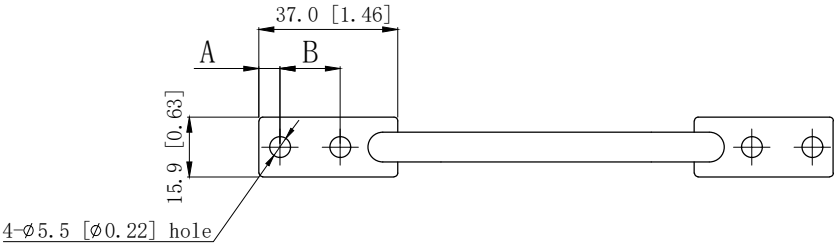


Catalog Number	A	B	C	D	STD PKG.
104249	6.0 [0.24]	16.1 [0.63]	61.0 [2.40]	50.8 [2.00]	50
104250	6.0 [0.24]	16.1 [0.63]	85.6 [3.37]	76.2 [3.00]	50
104251	6.0 [0.24]	16.1 [0.63]	86.0 [3.38]	127.0 [5.00]	50

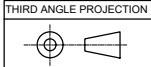
**PACKAGE:**

Carton Packing Only without PE self-sealing bag.



**NOTES:**

- 1.All dimensions in millimeters and [inches];
- 2.Free of sharp edge and burrs.max burr 0.127[0.005].
- 3.Material: AL 413.2 ; Finish: Cleaning .



TOLERANCES UNLESS OTHERWISE SPECIFIED		NAME	DATE	BESTLINK NETWORKARE	
INCHES:	MILLIMETER	DRAMN	YUAN	2022. 11. 28	TITLE Distribution Rings Data Sheet
ANGULAR:	ANGULAR:	CHECKED			
X.X: ±0.1	X: ±2.54	APPROVED (A)			SIZE A4
X.XX: ±0.05	X.X: ±1.27	APPROVED (Customer)			DWG NO. 104249/104250/104251
X.XXX: ±0.008	X.XX: ±0.203				REV A
MATERIAL Pre galvanized (G60)					SCALE: 1:1
FINISH NO OIL					PRINT DATE
					REFERENCES
					SHEET 1 OF 1