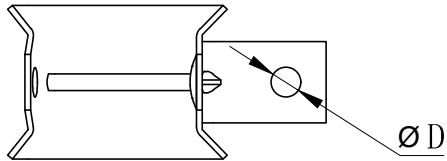
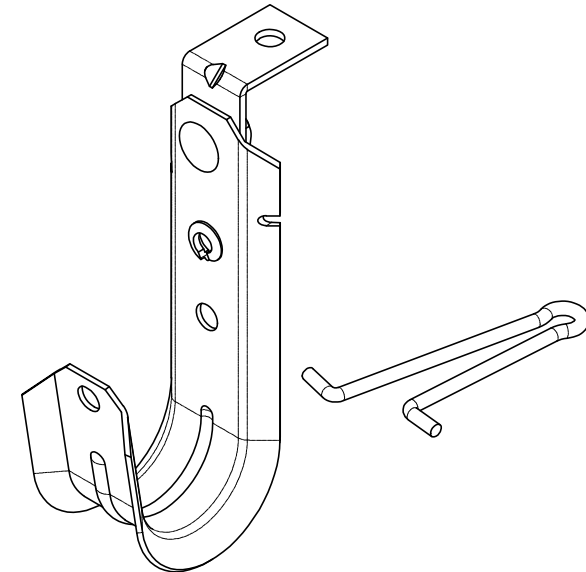
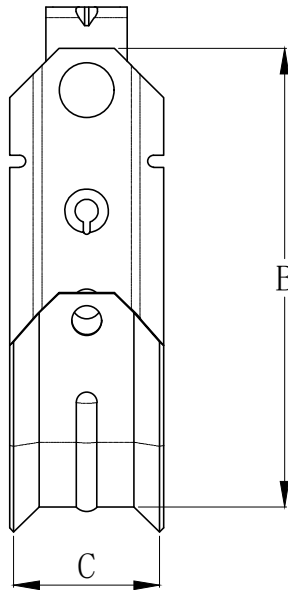
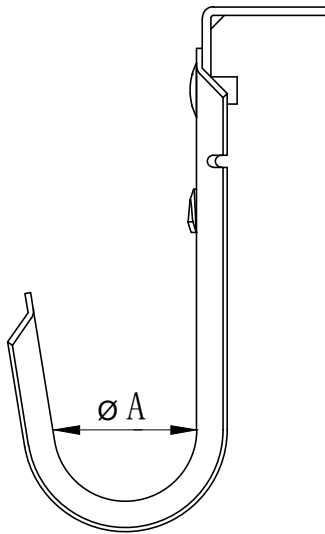


Catalog Number	B	C	ΦD	Diameter(ΦA)	Cable capacity Cat 6/Cat 5e/Fiber Optic	Static Load(F)	Standard Box Quantity	Retaining Clip
104230	79.3 [3.12]	22.0 [0.87]	1/4"	3/4"	10/16/16	60LBS	50	/
104231	107.3 [4.22]	34.1 [1.34]	1/4"	1-5/16"	30/50/50	60LBS	50	104241, 1-5/16"
104232	118.0 [4.65]	35.0 [1.38]	1/4"	2"	50/80/80	60LBS	50	104242, 2"

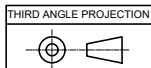


104230: Carton Packing Only.  
 104231/104232: Carton Packing, Retaining Clip packed in one PE self-sealing bag then into carton.



**NOTES:**

- Material: J HOOK: Pre galvanized steel (G60) , Thickness: 1.20mm [0.047] .  
 Angle Bracket: Pre galvanized steel (G60) , Thickness: 2.0mm [0.079];
- Wire retainer available



MATERIAL	Pre galvanized (G60)
FINISH	NO OIL

	NAME	DATE
DRAMN	YUAN	2022. 8. 17
CHECKED		
APPROVED (A)		
APPROVED (Customer)		

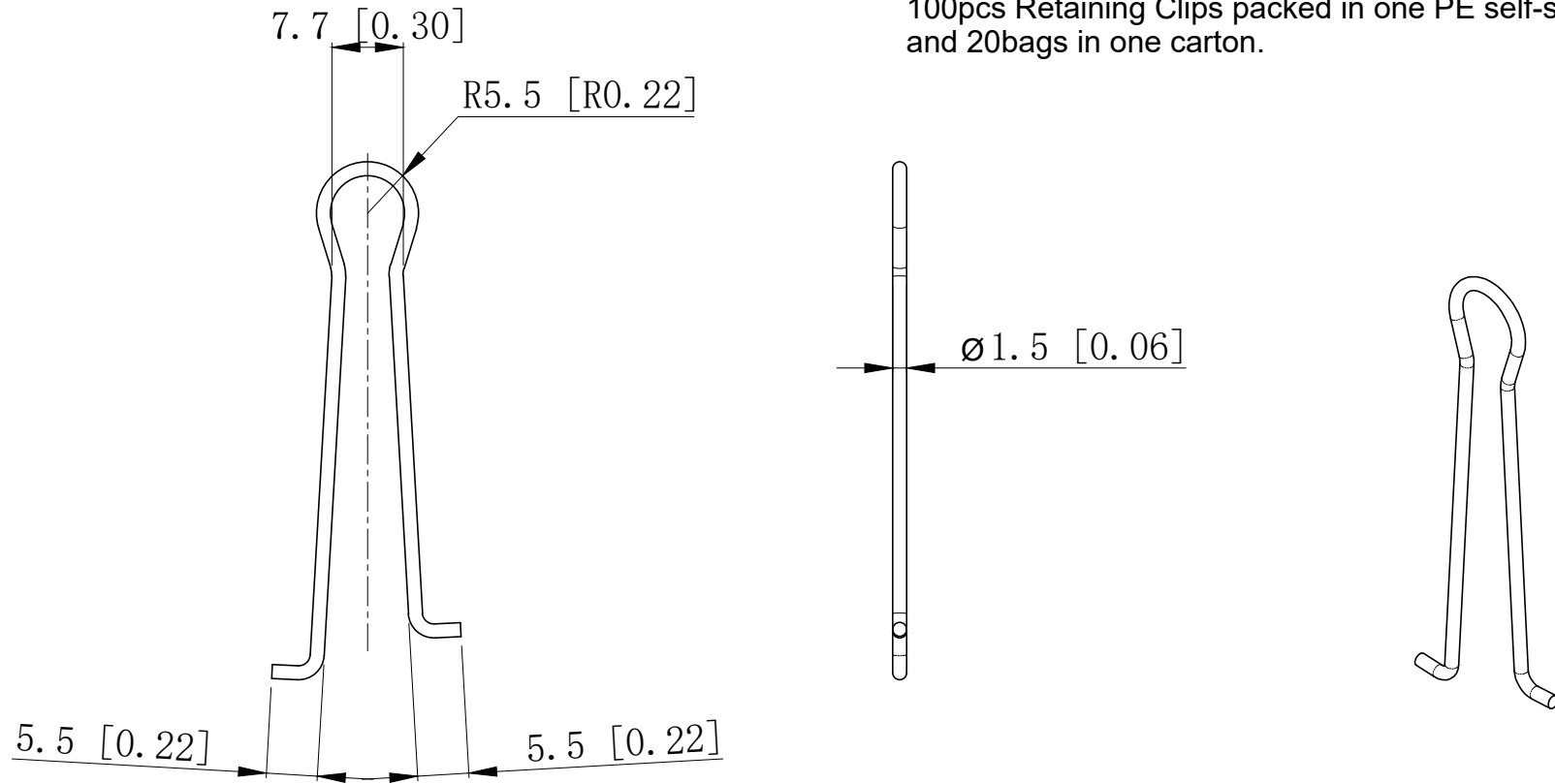


TITLE		
J HOOK WITH 90 DEG ANGLE CLIP		
SIZE	DWG NO.	REV
A4	104230/104231/104232	
SCALE: 1:1	PRINT DATE	REFERENCES
		SHEET 1 OF 1

# 1-5/16" J Hook Retaining Clip

## PACKAGE:

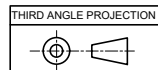
100pcs Retaining Clips packed in one PE self-sealing bag and 20bags in one carton.



### NOTES:

- 1.All dimensions in millimeters and [inches].
- 2.Free of sharp edge and burrs.max burr 0.127[0.005].
- 3.Material: Galvanized steel wire , Thickness:  $\varnothing 1.50\text{mm}$  [0.059] .

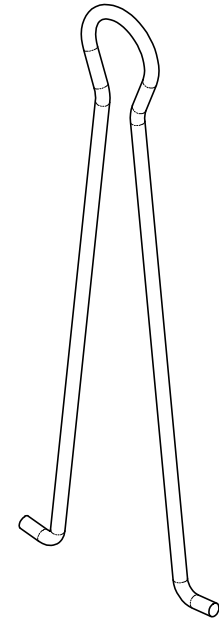
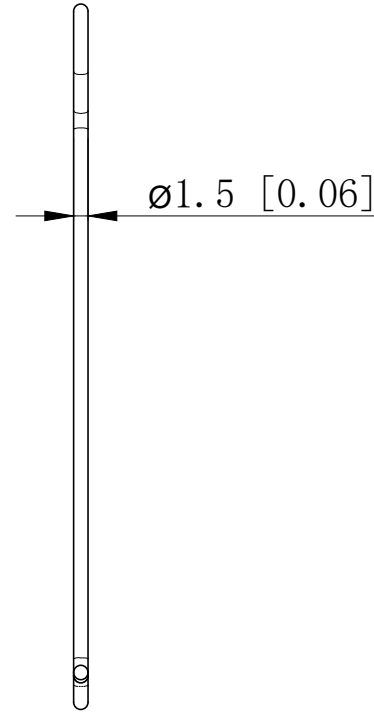
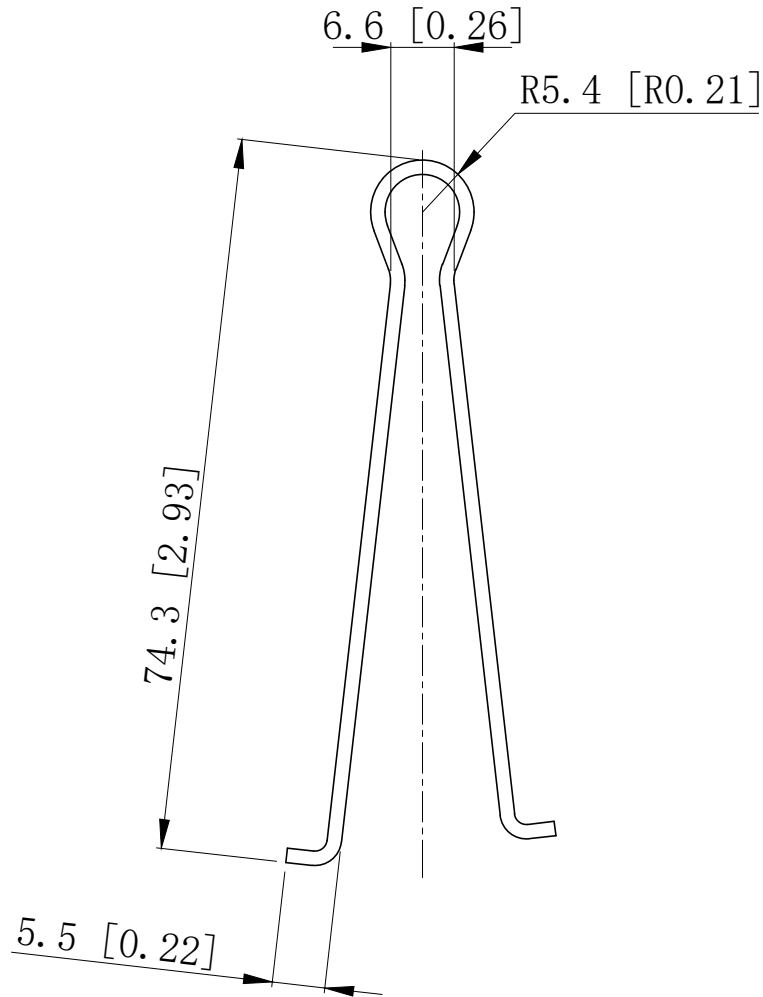
TOLERANCES UNLESS OTHERWISE SPECIFIED		NAME		DATE	
INCHES	MILLIMETER	DRAMN	YUAN	2022.8.17	
ANGULAR:	ANGULAR:	CHECKED		TITLE	
X, X: $\pm 0.1$	X: $\pm 2.54$	APPROVED (A)		SIZE	
X, X X: $\pm 0.05$	X, X: $\pm 1.27$	APPROVED (Customer)		DWG NO.	104241
X, X X X: $\pm 0.008$	X, X X: $\pm 0.203$			SCALE: 1:1	PRINT DATE
MATERIAL	Galvanized steel wire	CADDY	ORBIT	RACO	REFERENCES
FINISH	NO OIL	-	-	-	SHEET 1 OF 1



## 2" J Hook Retaining Clip

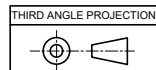
### PACKAGE:

100pcs Retaining Clips packed in one PE self-sealing bag and 20bags in one carton.



### NOTES:

- 1.All dimensions in millimeters and [inches].
- 2.Free of sharp edge and burrs.max burr 0.127[0.005].
- 3.Material: Galvanized steel wire , Thickness: Ø1.50mm [0.059] .



TOLERANCES UNLESS OTHERWISE SPECIFIED		NAME		DATE				
INCHES	MILLIMETER	DRAMN	YUAN	2022.8.17				TITLE
ANGULAR:	ANGULAR:	CHECKED						
X, X: ±0.1	X: ±2.54	APPROVED (A)						
X, X X: ±0.05	X, X: ±1.27	APPROVED (Customer)						
X, X X X: ±0.008	X, X X: ±0.203							
MATERIAL		CADDY	ORBIT	RACO		SIZE	DWG NO.	REV
Galvanized steel wire						A4	104242	
FINISH						SCALE: 1:1	PRINT DATE	REFERENCES
NO OIL		-	-					SHEET 1 OF 1