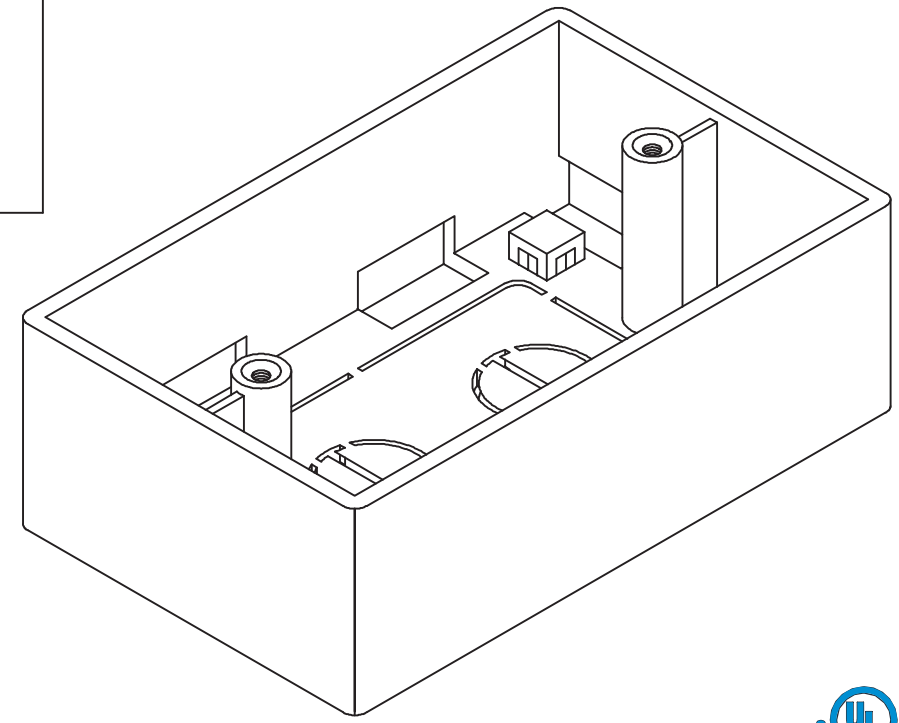
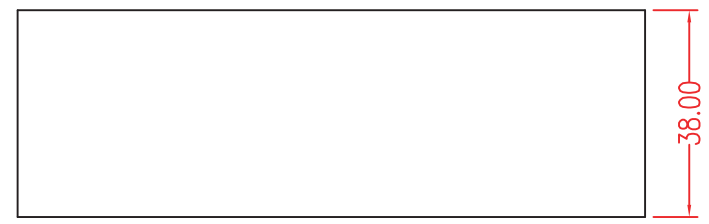
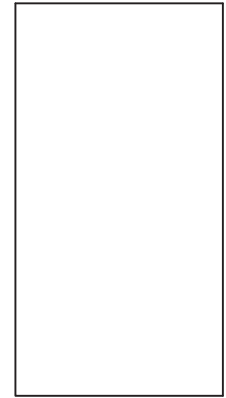
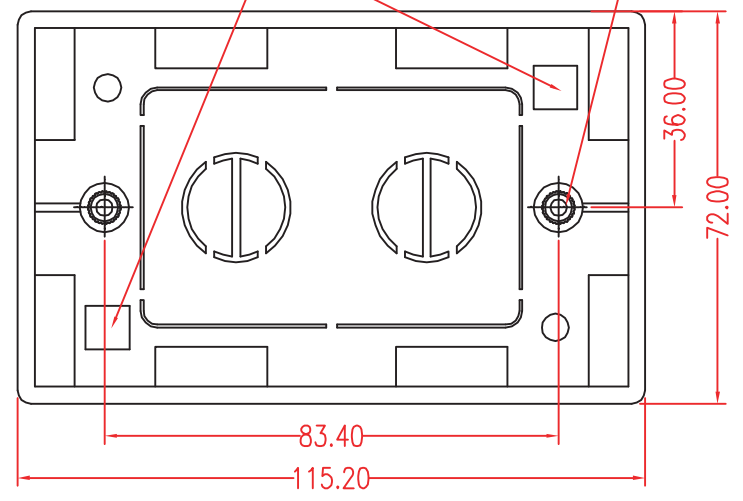


NOTE: ALL MATERIAL COMPLIANT ROHS STANDARD

REVISION INFORMATION			
Rev.	Rev. Date	Modified By	Brief Description

This structure is symmetrical in the two cavities 6#-32



**MATERIAL**

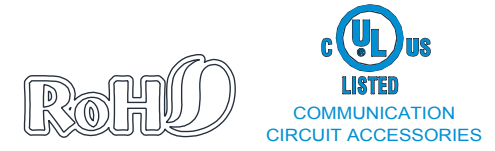
FACEPLATE : ABS,UL94V-0.

**PHYSICAL CHARACTERISTICS**

OPERATING TEMPERATURE RANGE : -10°C TO 60°C.  
 STORAGE TEMPERATURE RANGE : -40°C TO 68°C.  
 HUMIDITY : 10%~90%RH.

**ENCLOSURE**

K5 6 X 20 mm SCREW X 2 PCS



NO.	PART NAME	SPECIFICATION DESCRIPTION	QT'Y	UNIT
③				
②				
①				

Unless specified on the drawing, tolerances are per the follows:  
 .                    +1  
 .x                  +0.2  
 .xx                +0.05

DRAWN BY	DATE: 2018/02/12	DESCRIPTION: Surfacemount Box for Wall Plate White
CHECKED BY	SHEET 1 of 1	ITEM NO. 103202WT
APPROVED BY	SCALE 1: 1	REV. 00    UNIT:mm

