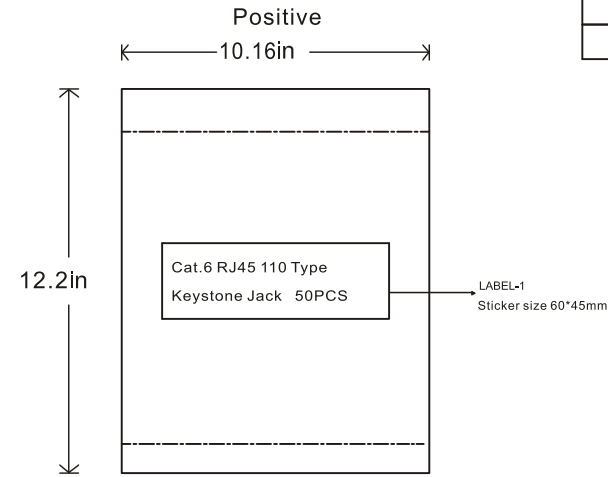
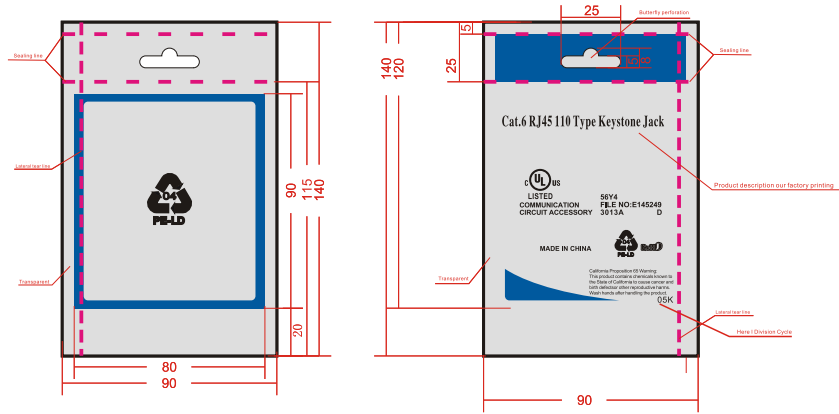
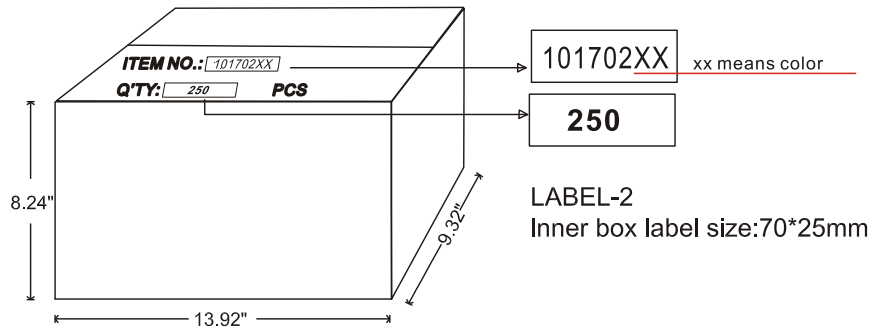


NOTE: CARTON MATERIAL MUST BE A=A

REVISION INFORMATION			
Rev.	Rev. Date	Modified By	Brief Description

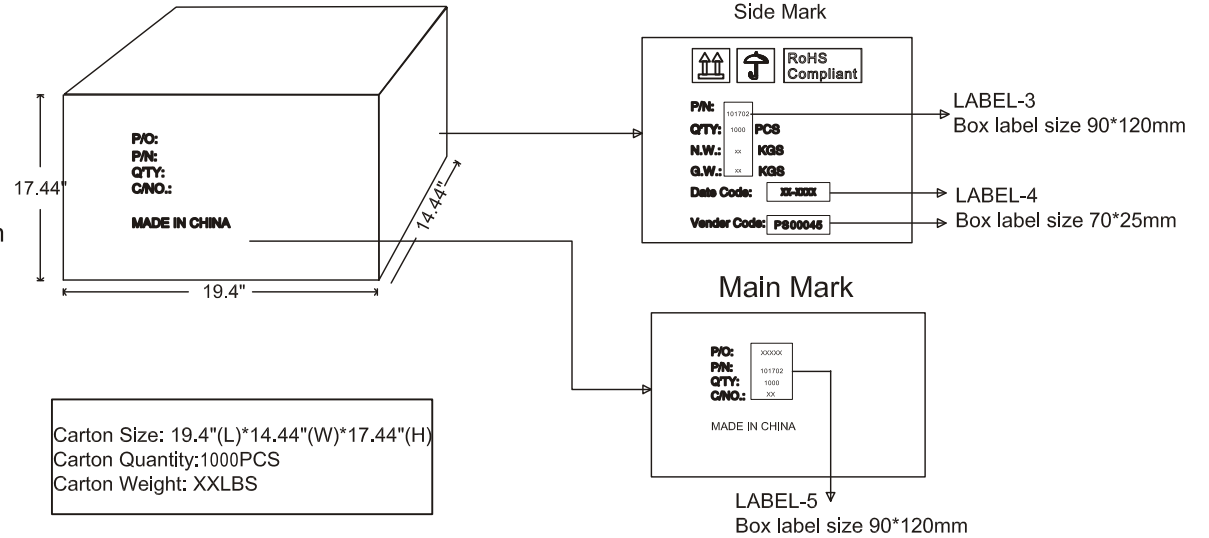


Inside the box



Unit package
Size: 13.92"(L)*9.32"(W)*8.24"(H)
Weight: XXLBS

Outside the box



Carton Size: 19.4"(L)*14.44"(W)*17.44"(H)
Carton Quantity: 1000PCS
Carton Weight: XXLBS



NO.	PART NAME	SPECIFICATION DESCRIPTION	QTY	UNIT
③				
②				
①				

Unless specified on the drawing, tolerances are per the follows:
 .x +1
 .xx +0.2
 .xxx +0.05

DRAWN BY	DATE: 2017-08-04	DESCRIPTION: Cat.6 RJ45 110 Type Keystone Jack
CHECKED BY	SHEET 1of2	ITEM NO. 101702XX <u>xx means color</u>
APPROVED BY	SCALE 1:1	REV. 00 UNIT: mm