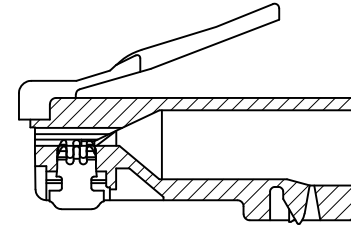
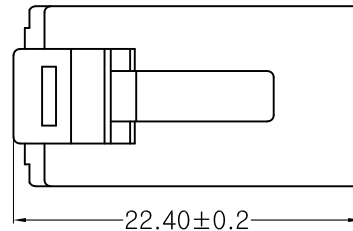


NOTE:ALL MATERIAL COMPLIANT ROHS STANDARD

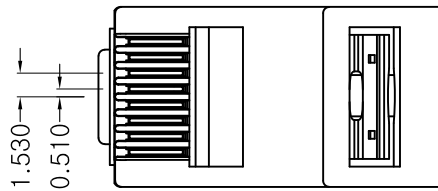
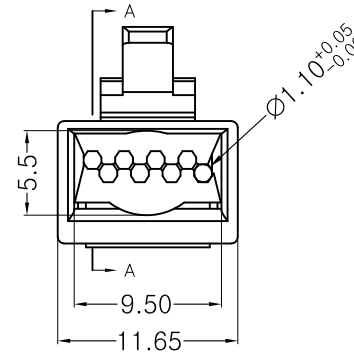
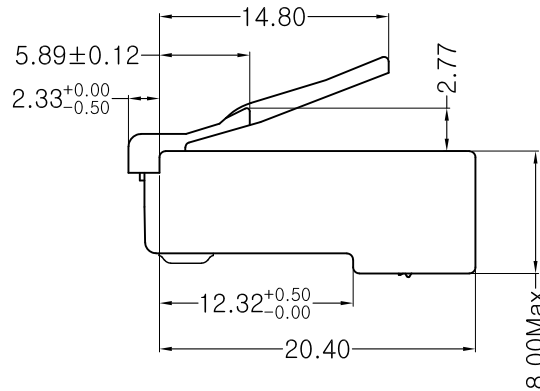
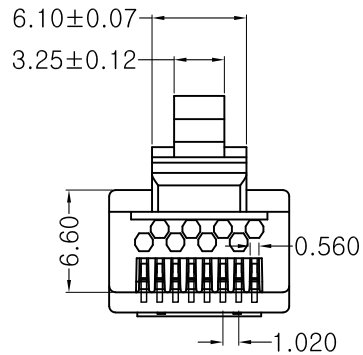
10*2151****

REVISION INFORMATION

Rev.	Rev. Date	Modified By	Brief Description



SECTION A-A



NOTES:

- 1.Operation Temperature:-40℃~+85℃.
- 2.Electrial Characteristics:
 - 2.1>Rated Current:125V AC,1.5A@25℃.
 - 2.2>Contact Resistance:20mΩ Max.
 - 2.3>Insulation Resistance:500MΩ Min,100V DC/min.
 - 2.4>Voltage Proof: 1000V AC/1 minute no breakdown.
- 3.Mechanical Characteristics:
 - 3.1>Insertion Force & Withdrawal Force:30N Max.
 - 3.2>Durability:750 cycles Min.
- 4.Environmental compliance:
 - 4.1>the products are compliant with the RoHS, and REACH etc.
- 5.CONDUCTOR:STRANDED&SOLID WIRE,23AWG,24AWG.
(It can be used for the wire OD fromØ1.00~Ø1.10mm.)



1	Modular Plug	Contacts	8PCS	/	2Prongs <input type="checkbox"/>	G/F" <input type="checkbox"/>	1u" <input type="checkbox"/>	3u" <input type="checkbox"/>	6u" <input type="checkbox"/>	Brass <input checked="" type="checkbox"/>	DIMENSIONAL TOLERANCE
		Housng	1PCS		20*2151**	3Prongs <input checked="" type="checkbox"/>	15u" <input type="checkbox"/>	30u" <input type="checkbox"/>	50u" <input checked="" type="checkbox"/>	OTHER <input type="checkbox"/>	
				Cat.6/UTP HOUSING/LONG BODY/4up and 4Down		94V-2 <input checked="" type="checkbox"/>		94V-0 <input type="checkbox"/>		X.X ±0.20	
										X.XX ±0.10	
										X.XXX ±0.05	
										ANGLE ±2°	

DRAWN BY	DATE 2020.06.16	DESCRIPTION: Easy-Connect RJ45 Cat.6 plug 2 line 3Prongs 50 Micron		
CHECKED BY	SHEET 1 of 3	ITEM NO:101412		
APPROVED BY	SCALE 1:1	REV:00	UNIT:mm	