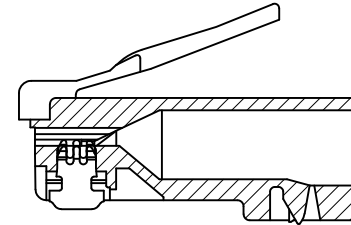
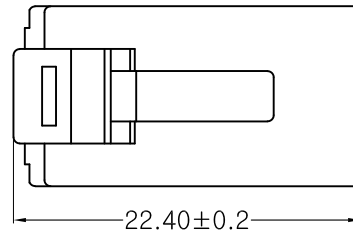


NOTE:ALL MATERIAL COMPLIANT ROHS STANDARD

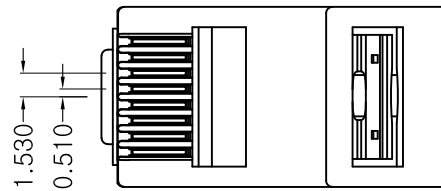
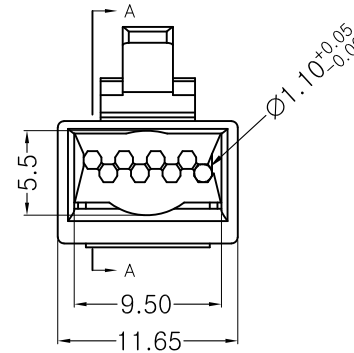
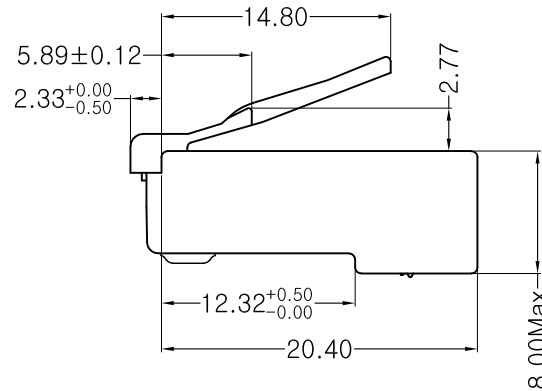
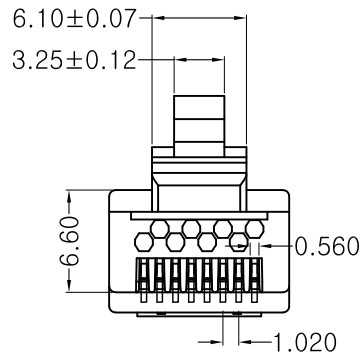
10*2151****

REVISION INFORMATION

Rev.	Rev. Date	Modified By	Brief Description
00	2020/06/16	JING_LI	FIRST ISSUE
01	2023/04/03	JING_LI	Change label content



SECTION A-A



NOTES:

- 1.Operation Temperature:-40℃~+85℃.
- 2.Electrial Characteristics:
 - 2.1>Rated Current:125V AC,1.5A@25℃.
 - 2.2>Contact Resistance:20mΩ Max.
 - 2.3>Insulation Resistance:500MΩ Min,100V DC/min.
 - 2.4>Voltage Proof: 1000V AC/1 minute no breakdown.
- 3.Mechanical Characteristics:
 - 3.1>Insertion Force & Withdrawal Force:30N Max.
 - 3.2>Durability:750 cycles Min.
- 4.Environmental compliance:
 - 4.1>the products are compliant with the RoHS, and REACH etc.
- 5.CONDUCTOR:STRANDED&SOLID WIRE,23AWG,24AWG.
(It can be used for the wire OD fromØ1.00~Ø1.10mm.)



1	Modular Plug	Contacts	8PCS	/	2Prongs <input type="checkbox"/>	G/F" <input type="checkbox"/>	1u" <input type="checkbox"/>	3u" <input type="checkbox"/>	6u" <input type="checkbox"/>	Brass <input checked="" type="checkbox"/>	DIMENSIONAL TOLERANCE
		Housng	1PCS		20*2151**	3Prongs <input checked="" type="checkbox"/>	15u" <input type="checkbox"/>	30u" <input type="checkbox"/>	50u" <input checked="" type="checkbox"/>	OTHER <input type="checkbox"/>	
		Cat.6A/UTP HOUSING/LONG BODY/4up and 4Down			94V-2 <input checked="" type="checkbox"/>		94V-0 <input type="checkbox"/>				
NO	NAME	QTY	PART NO.	DESCRIPTION	MATERIAL		ANGLE		±2°		

DRAWN BY	DATE	DESCRIPTION:	
	2020.06.16	RJ45 Cat.6A UTP Feed Through Plug for Solid and Stranded 3-prong 50 Micron 100pk	
CHECKED BY	SHEET 1 of 3	ITEM NO:101412	
APPROVED BY	SCALE 1:1	REV:01	UNIT:mm

