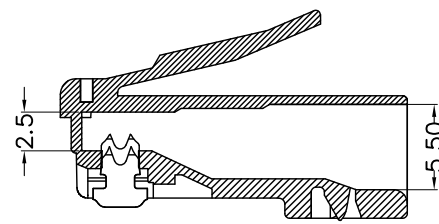
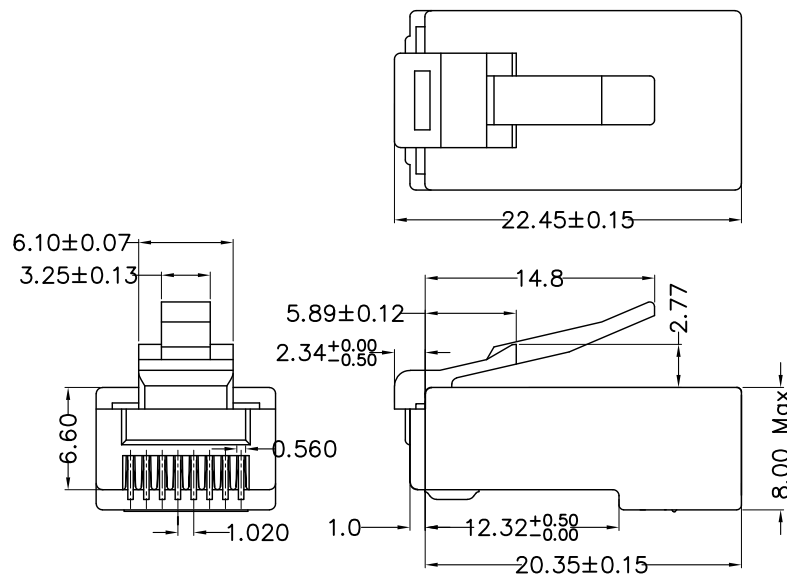


NOTE:ALL MATERIAL COMPLIANT ROHS STANDARD

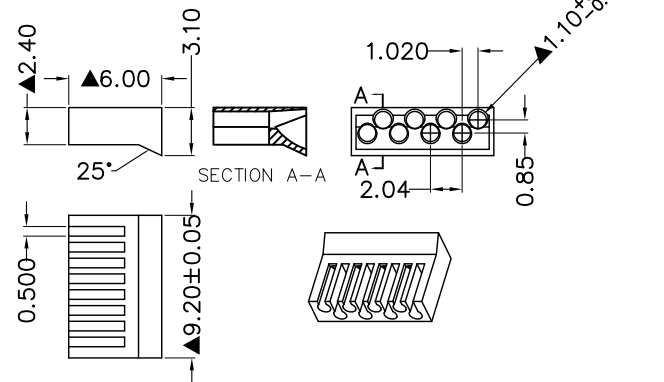
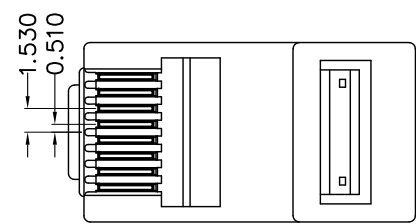
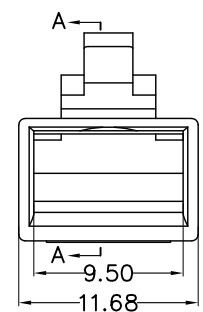
10*0668****

REVISION INFORMATION

Rev.	Rev. Date	Modified By	Brief Description
00	2020.06.12	JING_LI	First ISSUE
01	2024.05.09	JING_LI	Change SPEC.



SECTION A-A



NOTES:

- 1.Operation Temperature:-40°C ~+85°C.
- 2.Electrial Characteristics:
 - 2.1>Rated Current:125V AC,1.5A@25°C.
 - 2.2>Contact Resistance:20mΩ Max.
 - 2.3>Insulation Resistance:500MΩ Min,100V DC/min.
 - 2.4>Voltage Proof: 1000V AC/1 minute no breakdown.
- 3.Mechanical Characteristics:
 - 3.1>Insertion Force & Withdrawal Force:30N Max.
 - 3.2>Durability:750 cycles Min.
- 4.Environmental compliance:
 - 4.1>the products are compliant with the RoHS, and REACH etc.
- 5.CONDUCTOR:STRANDED&SOLID WIRE,23AWG,24AWG. (It can be used for the wire OD fromØ1.00~Ø1.10mm.)

2	Load Bar		1PCS	30*0144**		Load Bar,4Up and 4Down Ø1.10mm	Transparent PC	DIMENSIONAL TOLERANCE
1	Modular Plug	Contacts	8PCS	/		2Prongs <input checked="" type="checkbox"/> G/F* <input type="checkbox"/> 1u" <input type="checkbox"/> 3u" <input type="checkbox"/> 6u" <input type="checkbox"/> 3Prongs <input type="checkbox"/> 15u" <input type="checkbox"/> 30u" <input type="checkbox"/> 50u" <input checked="" type="checkbox"/> OTHER <input type="checkbox"/>	Brass <input checked="" type="checkbox"/> Phosphor copper <input type="checkbox"/>	X.X ±0.20 X.XX ±0.10 X.XXX ±0.05 ANGLE ±2°
		Housng	1PCS	20*0668**	CAT6/UTP HOUSING/LONG BODY/4UP AND 4DOWN	94V-2 <input checked="" type="checkbox"/> 94V-0 <input type="checkbox"/>		
NO	NAME	QTY	PART NO.	DESCRIPTION	MATERIAL			

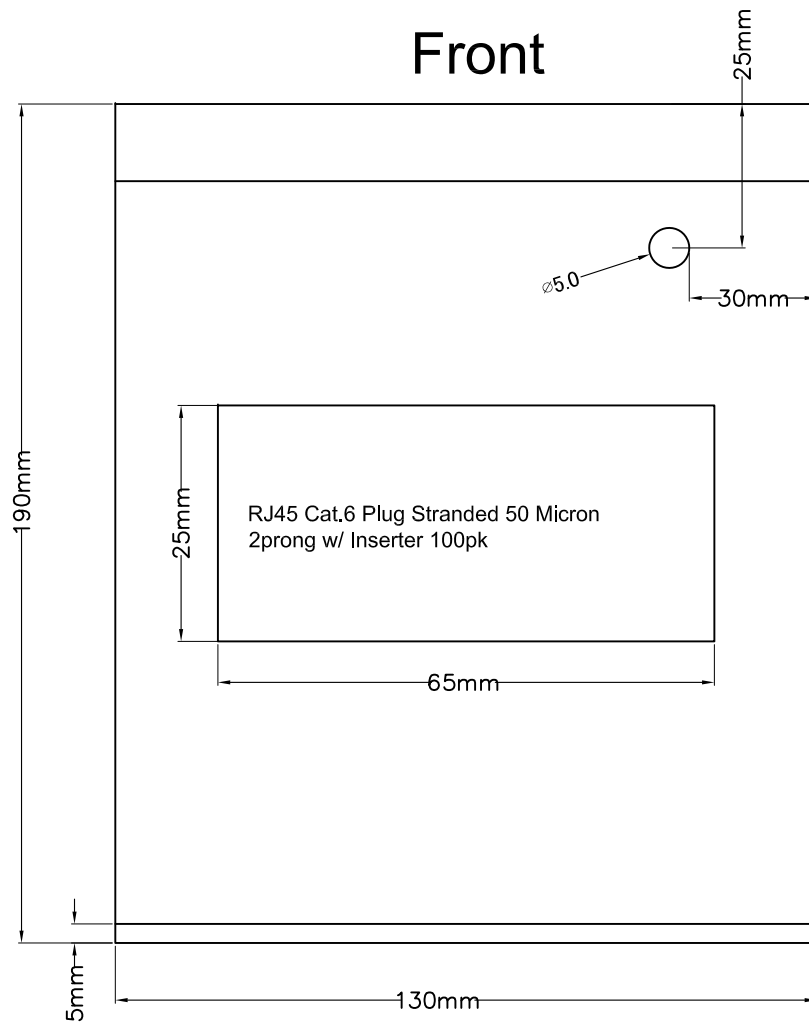


DRAWN BY	DATE 2024.05.09	DESCRIPTION: RJ45 Cat.6 Plug Stranded 50 Micron 2prong w/ Inserter 100pk		
CHECKED BY	SHEET 1 of 3	ITEM NO:101228		
APPROVED BY	SCALE 1:1	REV:01	UNIT:mm	

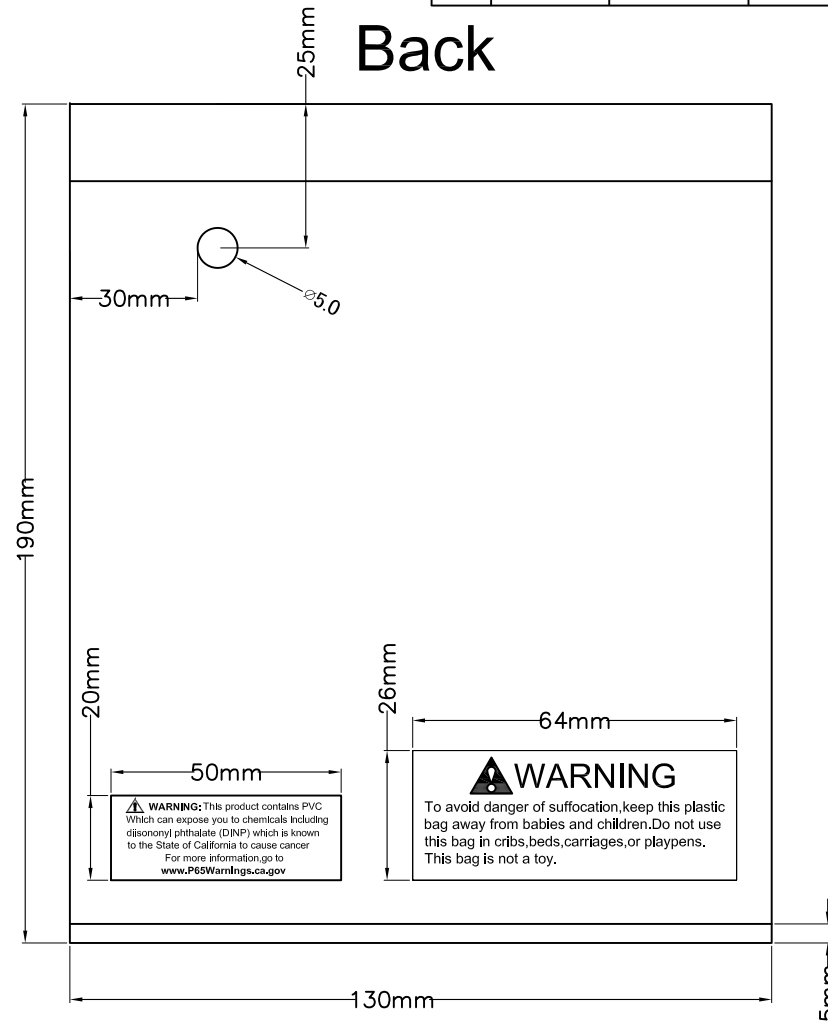
Polybag size: 130*190*0.06mm

Rev.	Rev. Date	Modified By	Brief Description
00	2020.06.12	JING_LI	First ISSUE
01	2024.05.09	JING_LI	Change SPEC.

Front



Back



DRAWN BY	DATE 2024.05.09	DESCRIPTION: RJ45 Cat.6 Plug Stranded 50 Micron 2prong w/ Inserter 100pk		
CHECKED BY	SHEET 2 of 3	ITEM NO:101228		
APPROVED BY	SCALE 1:1	REV:01	UNIT:mm	

NOTE:ALL MATERIAL COMPLIANT ROHS STANDARD

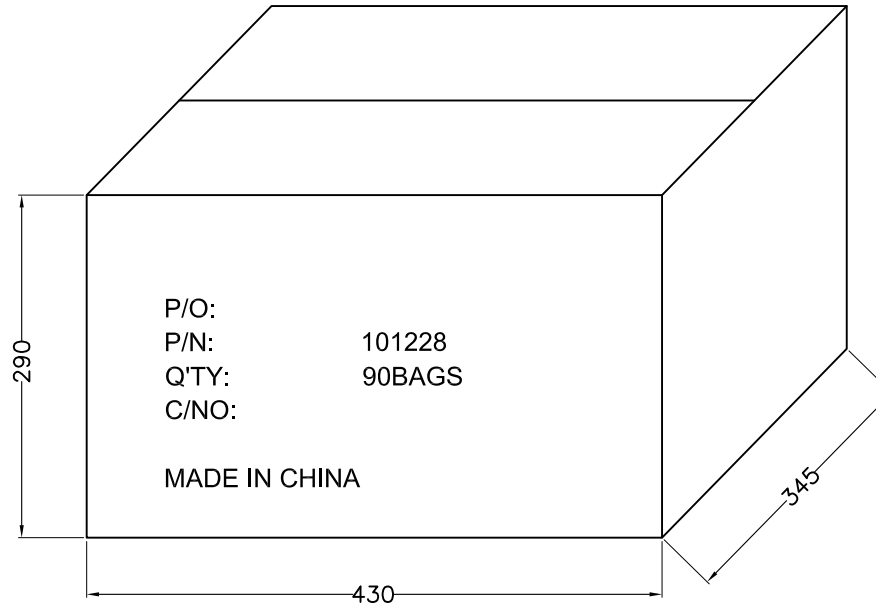
REVISION INFORMATION

Rev.	Rev. Date	Modified By	Brief Description
00	2020.06.12	JING_LI	First ISSUE
01	2024.05.09	JING_LI	Change SPEC.

Main Mark

P/O:
P/N: 101228
Q'TY: 90BAGS
C/NO:

MADE IN CHINA



Side Mark

	P/N:	101228
	Q'TY:	90BAGS
	N.W:	KGS
	G.W:	KGS
	Date Code:	
	Vender Code:	

Carton Size: 430x345x290MM
Carton Quantity: 90BAGS

100PCS/PE BAG

90BAGS/CARTON



DRAWN BY	DATE 2024.05.09	DESCRIPTION: RJ45 Cat.6 Plug Stranded 50 Micron 2prong w/ Inserter 100pk		
CHECKED BY	SHEET 3 of 3	ITEM NO:101228		
APPROVED BY	SCALE 1:1	REV:01	UNIT:mm	