

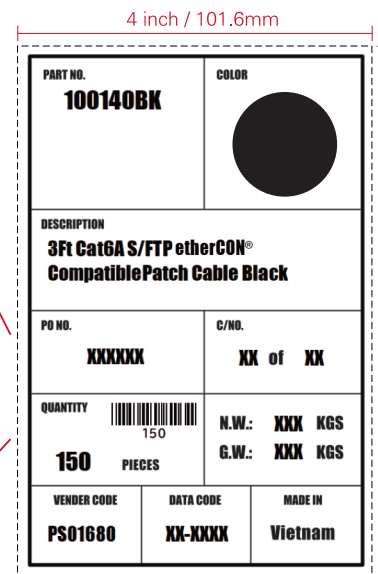
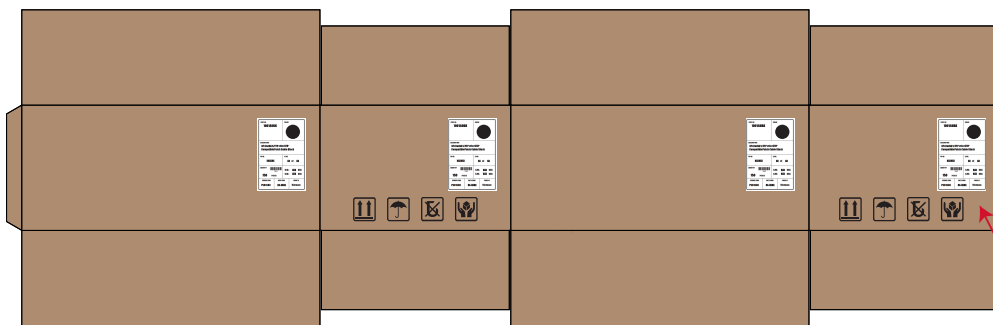
NOTE: ALL MATERIAL COMPLIANT ROHS STANDARD

| REVISION INFORMATION | | | |
|----------------------|-----------|-------------|-------------------|
| Rec. | Rec. Date | Modified By | Brief Description |
| | | | |

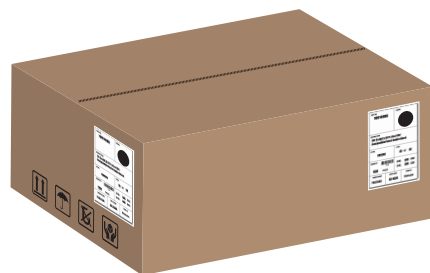
| PE BAG SIZE(INCH) | PART NO. | length/FT | CARION SIZE(CM) | Q'TY | G.W(LBS) |
|-------------------|----------|-----------|-----------------|------|----------|
| 6.89x7.48 | 100140BK | 3 | 40x40x25 | 150 | 14.4 |
| 6.89x7.48 | 100141BK | 5 | 40x40x25 | 110 | 13.2 |
| 6.89x9.06 | 100142BK | 7 | 40x40x25 | 100 | 14.4 |
| 6.89x9.06 | 100143BK | 10 | 40x40x25 | 80 | 14.4 |
| 9.25x10.63 | 100144BK | 15 | 40x40x25 | 60 | 14.4 |
| 9.25x10.63 | 100145BK | 20 | 40x40x25 | 50 | 15.0 |
| 9.25x10.63 | 100146BK | 25 | 40x40x25 | 35 | 12.6 |
| 9.25x10.63 | 100147BK | 30 | 40x40x25 | 30 | 12.6 |
| 9.25x11.81 | 100148BK | 50 | 40x40x25 | 20 | 13.2 |
| 9.25x11.81 | 100149BK | 75 | 40x40x20 | 10 | 9.6 |
| 9.25x11.81 | 100150BK | 100 | 40x40x20 | 8 | 10.08 |
| 11.81x14.96 | 100151BK | 150 | 40x40x17 | 4 | 7.44 |
| 11.81x14.96 | 100152BK | 200 | 40x40x17 | 4 | 9.84 |

Master Caton

Label



4 sides need label

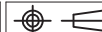


Front



Back

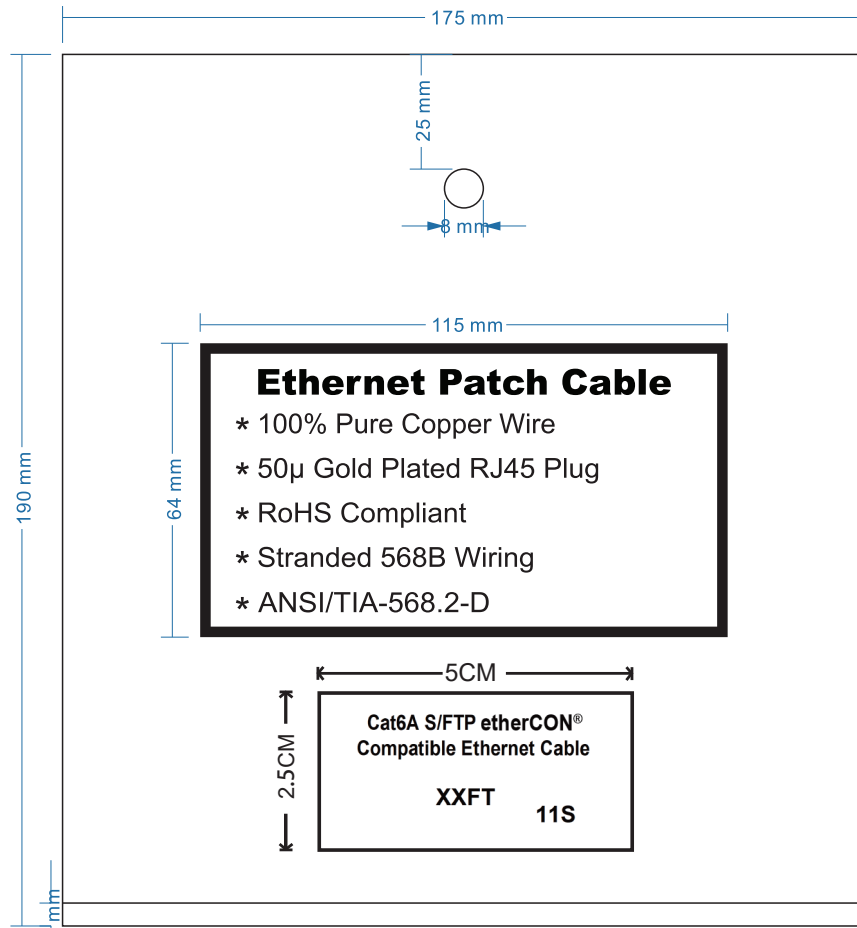


| | | |
|----------------|---------------------|--|
| DRAWN BY FW | DATE: 2025/12/05 | DESCRIPTION: CAT6A Ethernet Cable Compatible with etherCON® RJ45 Connectors in Black |
| CHECKED BY Ace | SHEET 2 of 3 | ITEM NO. 100140BK~100152BK |
| APPROVED BY | SCALE 1:1 | REC. 00 UNIT: mm  |

NOTE: ALL MATERIAL COMPLIANT ROHS STANDARD

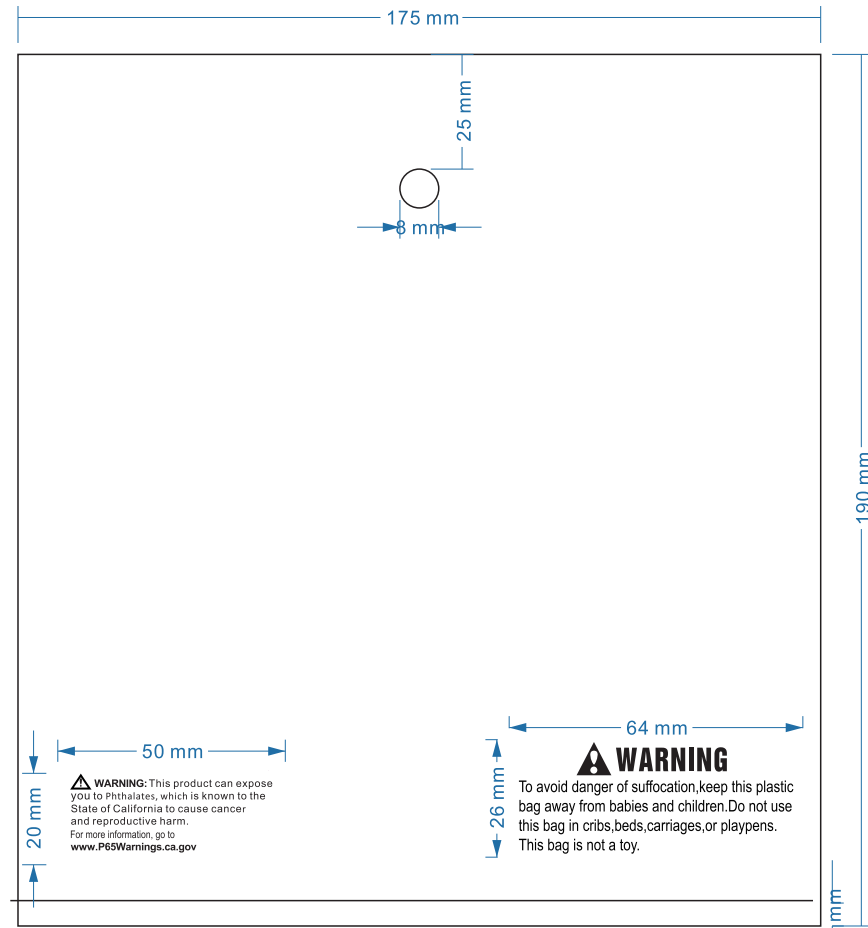
| REVISION INFORMATION | | | |
|----------------------|-----------|-------------|-------------------|
| Rec. | Rec. Date | Modified By | Brief Description |
| | | | |

just



Material: PE Thickness: 0.08mm

back



Warning Label: Arial 10PT

Pro 65 label: Arial 7PT



| | | |
|----------------|---------------------|--|
| DRAWN BY FW | DATE: 2025/12/05 | DESCRIPTION: CAT6A Ethernet Cable Compatible with etherCON® RJ45 Connectors in Black |
| CHECKED BY Ace | SHEET 3 of 3 | ITEM NO. 100140BK~100152BK |
| APPROVED BY | SCALE 1:1 | REC. 00 UNIT: mm |

