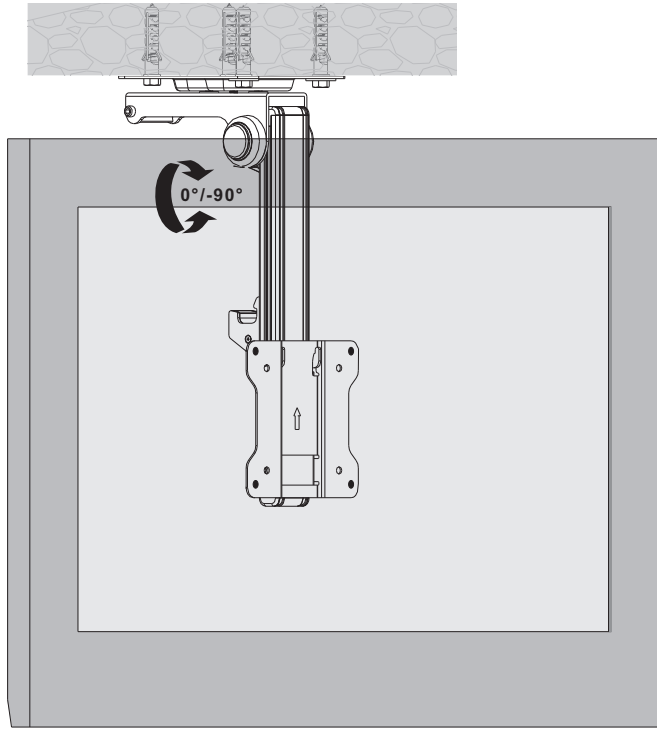
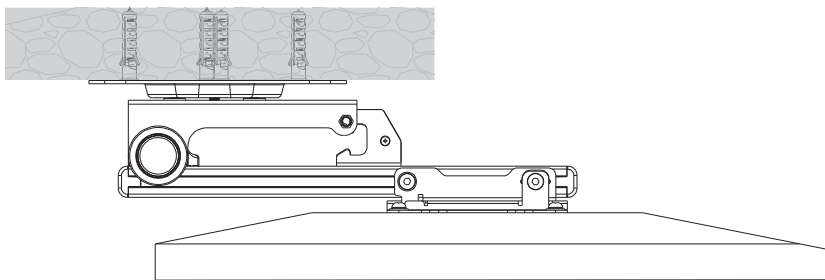


4. Adjustment



Adjust to the desired position.

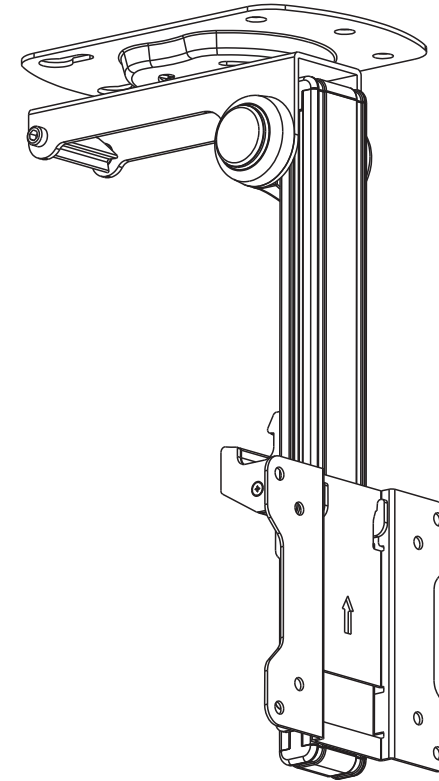


For saving the space, you can fold the display by pushing the display back until it fits in place.

Maintenance

- Check that the bracket is secure and safe to use at regular intervals(at least every three months).
- Please contact your distributor if you have any questions.

Folding LCD Ceiling Mount



CAUTION: DO NOT EXCEED RATED LISTED WEIGHT. SERIOUS INJURY OR PROPERTY DAMAGE MAY OCCUR!

LCD-CM211



75x75
100x100



27"
MAX



20kg
(44lbs)
RATED

ISSUED: JUN. 2014

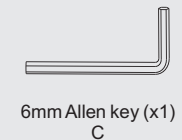
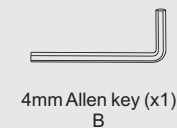
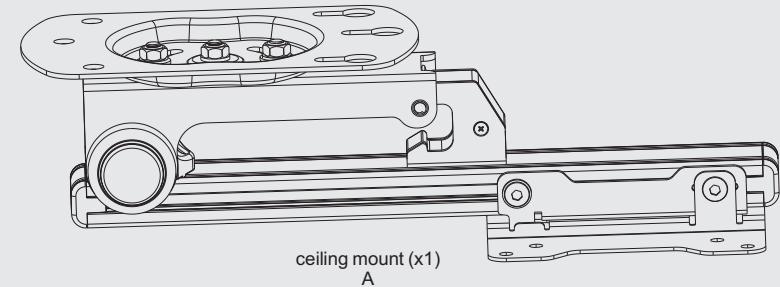
NOTE: Read the entire instruction manual before you start installation and assembly.

WARNING

- Do not begin the installation until you have read and understood all the instructions and warnings contained in this installation sheet. If you have any questions regarding any of the instructions or warnings, please contact your local distributor.
- This mounting bracket was designed to be installed and utilised **ONLY** as specified in this manual. Improper installation of this product may cause damage or serious injury.
- This product should only be installed by someone with good mechanical ability who has basic building experience and fully understands this manual.
- Make sure that the supporting surface will safely support the combined weight of the equipment and all attached hardware and components.
- If mounting to wood joist ceiling, make sure that mounting screws are anchored into the center of the joist. The use of a stud finder is highly recommended.
- Always use an assistant or mechanical lifting equipment to safely lift and position the equipment.
- Tighten screws firmly, but do not over tighten. Over tightening can cause damage to the items, This greatly reduces their holding power.
- This product is intended for indoor use only. Using this product outdoors could lead to product failure and personal injury.

Component Checklist

IMPORTANT: Ensure that you have received all parts according to the component checklist prior to installation. If any parts are missing or faulty, telephone your local distributor for a replacement.



Package M



M4x14 (x4)
M-A

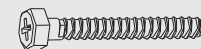


M5x14 (x4)
M-B



D5 washer (x4)
M-C

Package W



ST6.3x55 (x4)
W-A

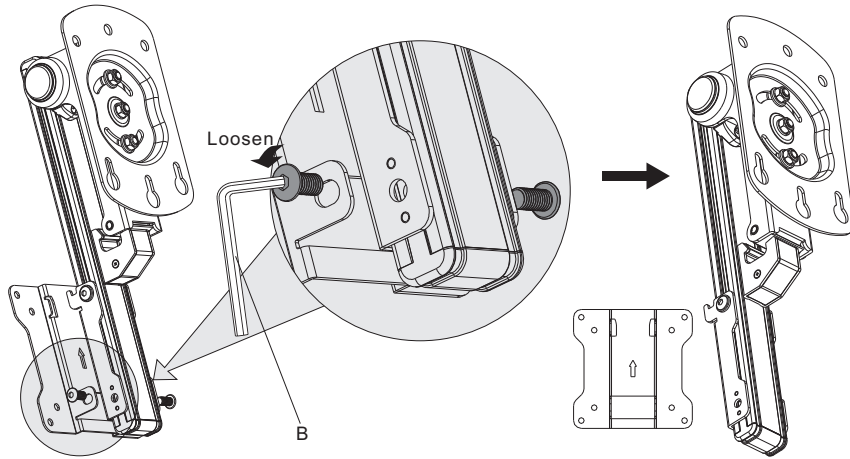


concrete anchor (x4)
W-B



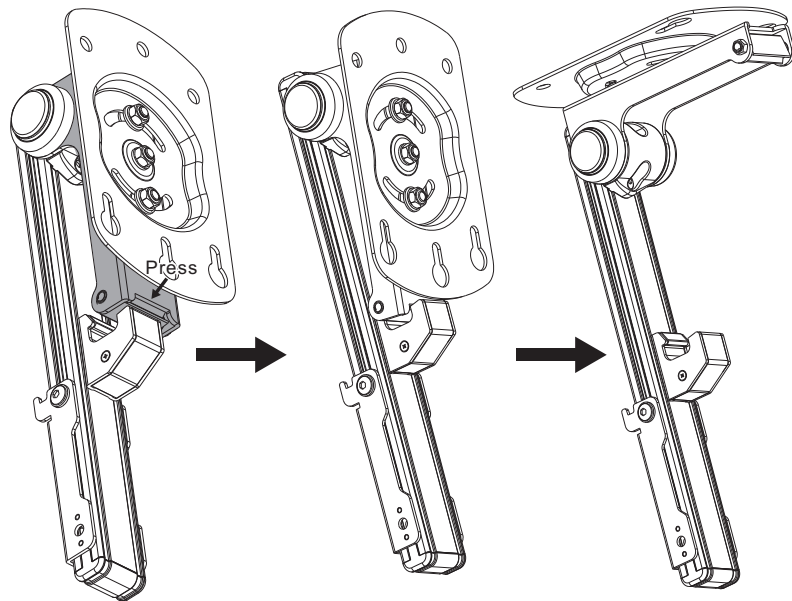
D6 washer (x2)
W-C

1. Separating the VESA Plate



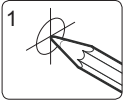
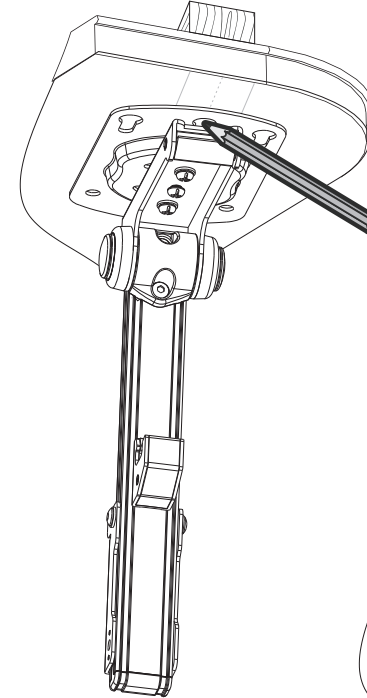
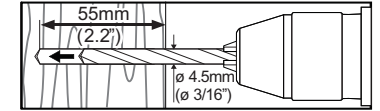
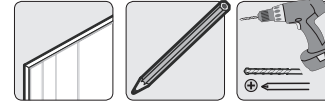
Use a proper Allen key to loosen the screws in order to separate the VESA plate from the ceiling mount.

2. Opening the Mount

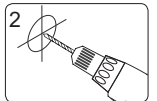
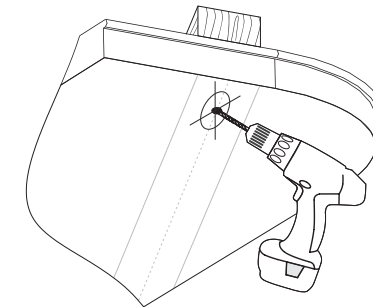


Open the mount for the ceiling mounting. Press the ceiling plate down, then lift it up till fully open.

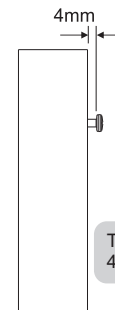
3a. For Wood Joist Ceiling Mounting



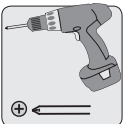
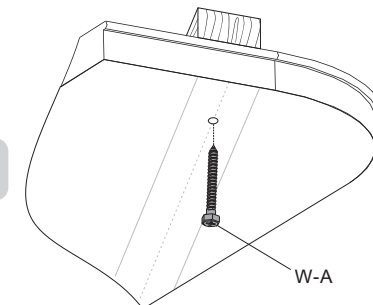
1 Find and mark the exact location of mounting holes.



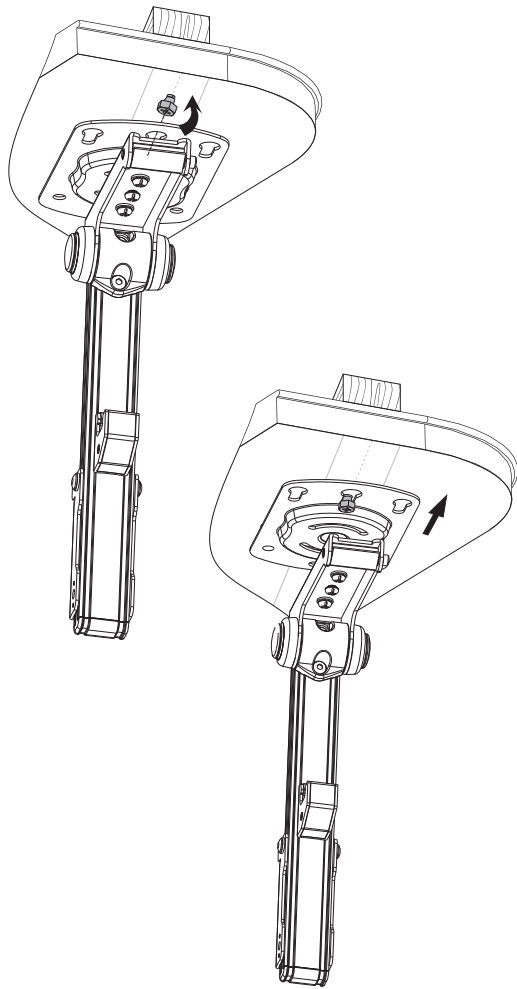
2 Drill pilot holes



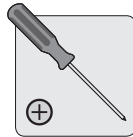
Tighten the screw leaving a 4mm space from the ceiling.



Screw the screw into the ceiling



Align the hole in the ceiling plate to the screw in the ceiling and move the ceiling plate until the screw is seated in upper area of tear-drop mounting holes.



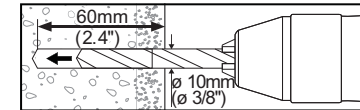
W-C
W-A

Fix the ceiling plate using the other screw and then tighten all screws.

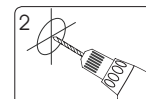
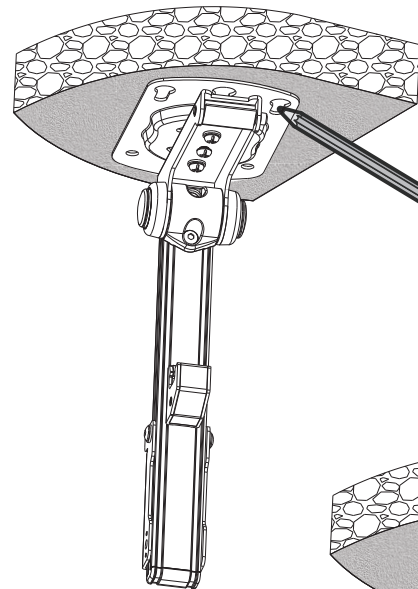
⚠ WARNING

- Installers are responsible to provide hardware for other types of mounting situations.
- Installers must verify that the supporting surface will safely support the combined weight of the equipment and all attached hardware and components.

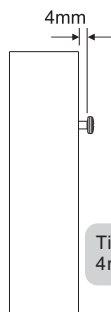
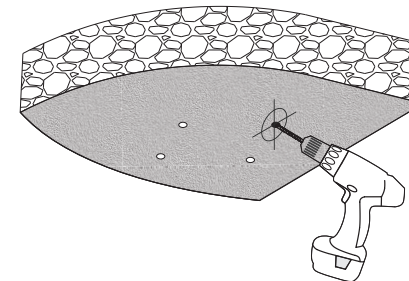
3b. For Solid Brick and Concrete Mounting



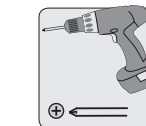
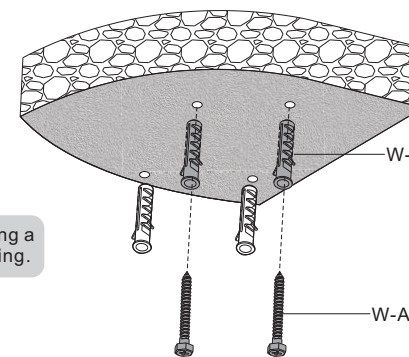
1
Mark the exact location of mounting holes



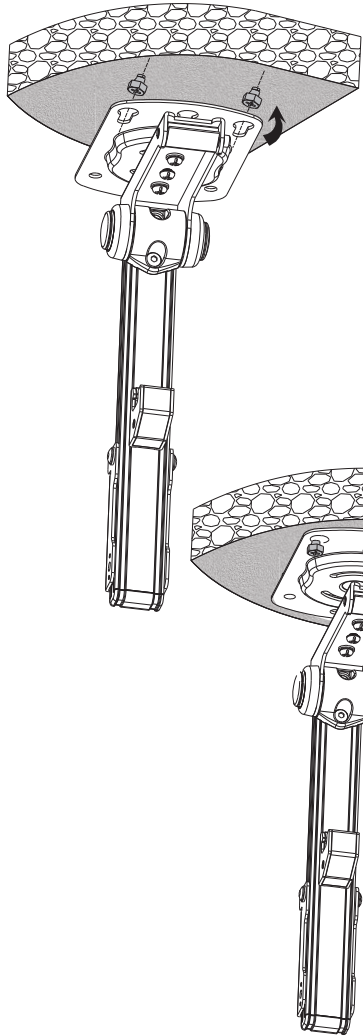
2
Drill pilot holes



Tighten the screws leaving a 4mm space from the ceiling.



Screw the screws into the ceiling



Align the both holes in the ceiling plate to the screws in the ceiling and move the ceiling plate until the both screws are seated in upper area of tear-drop mounting holes.

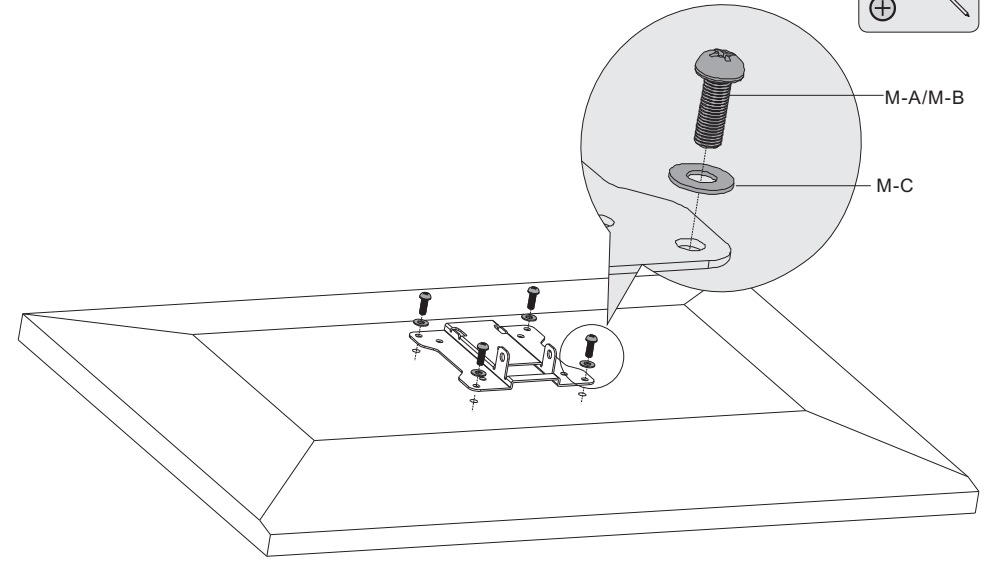
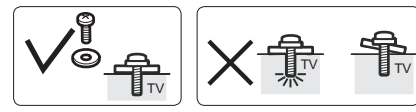
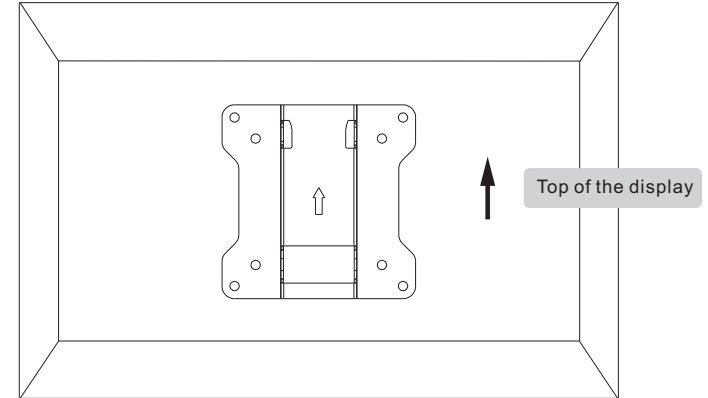


Fix the ceiling plate using the two other screws and then tighten all screws.

⚠ WARNING

Installers must verify that the supporting surface will safely support the combined weight of the equipment and all attached hardware and components.

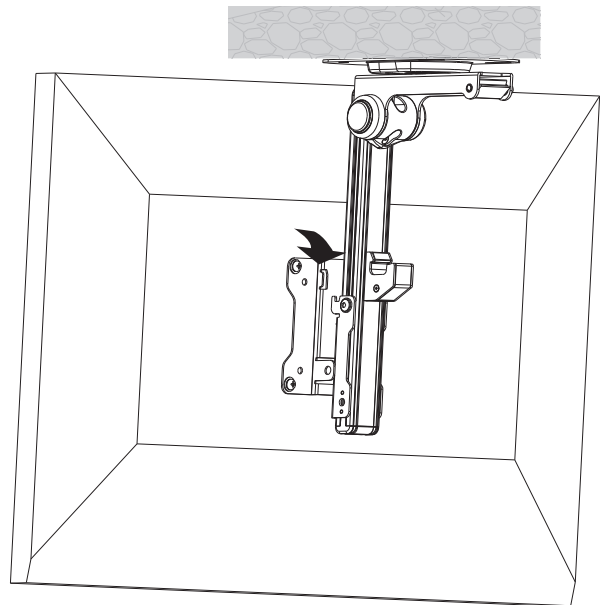
4. Installing the VESA Plate



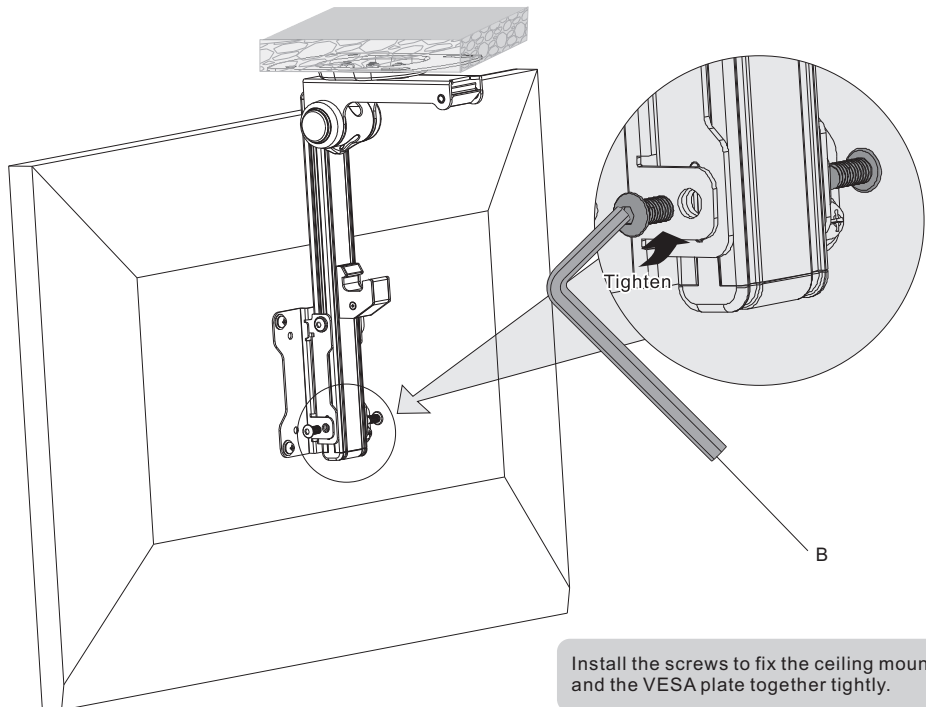
Screw the VESA plate onto the display.

⚠ Tighten all screws but do not over tighten.

5. Hooking the Display onto the Ceiling Mount.

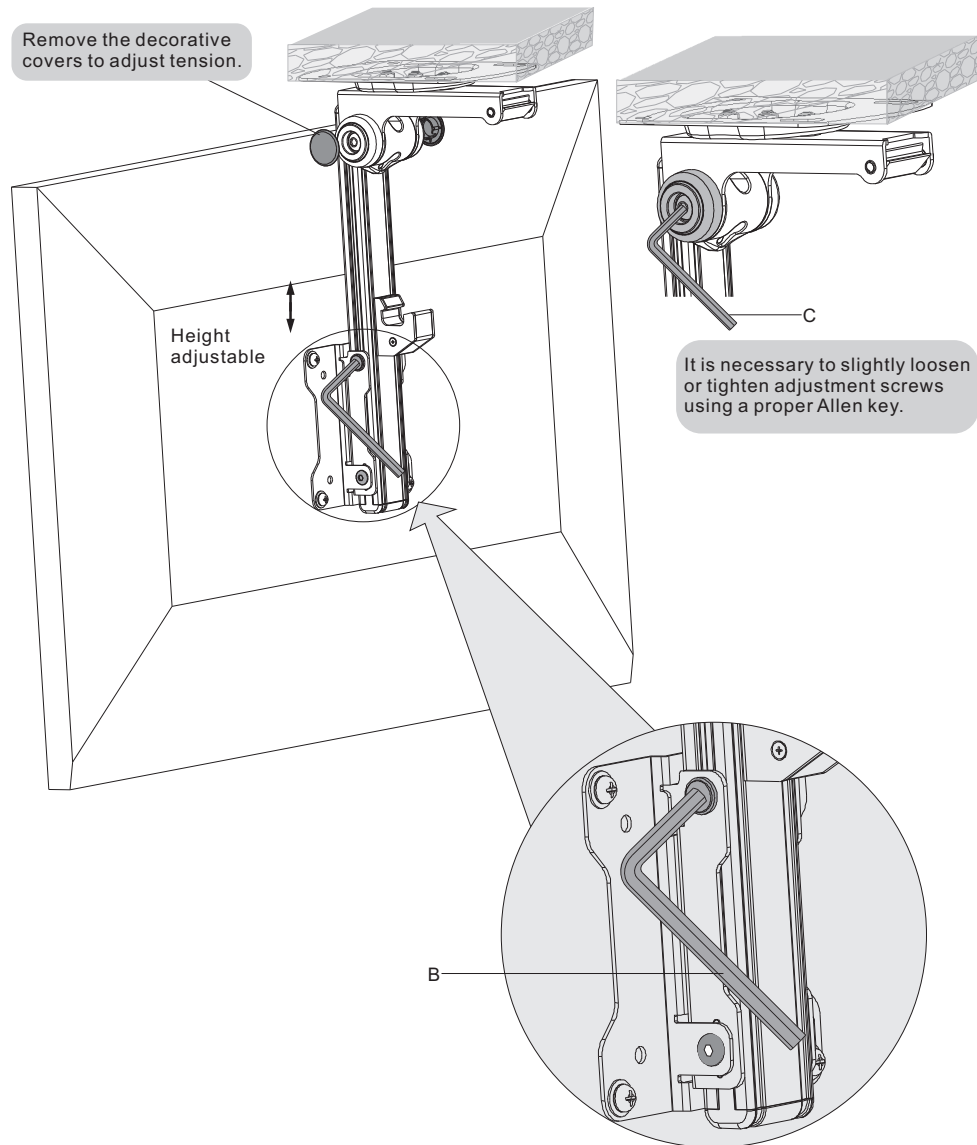


Hang the display with the VESA plate onto the ceiling mount.



Install the screws to fix the ceiling mount and the VESA plate together tightly.

6. Adjustment



Remove the decorative covers to adjust tension.

Height adjustable

It is necessary to slightly loosen or tighten adjustment screws using a proper Allen key.

Loosen the screws (but do not remove) and adjust the display to the desired height as needed, then tighten screws.