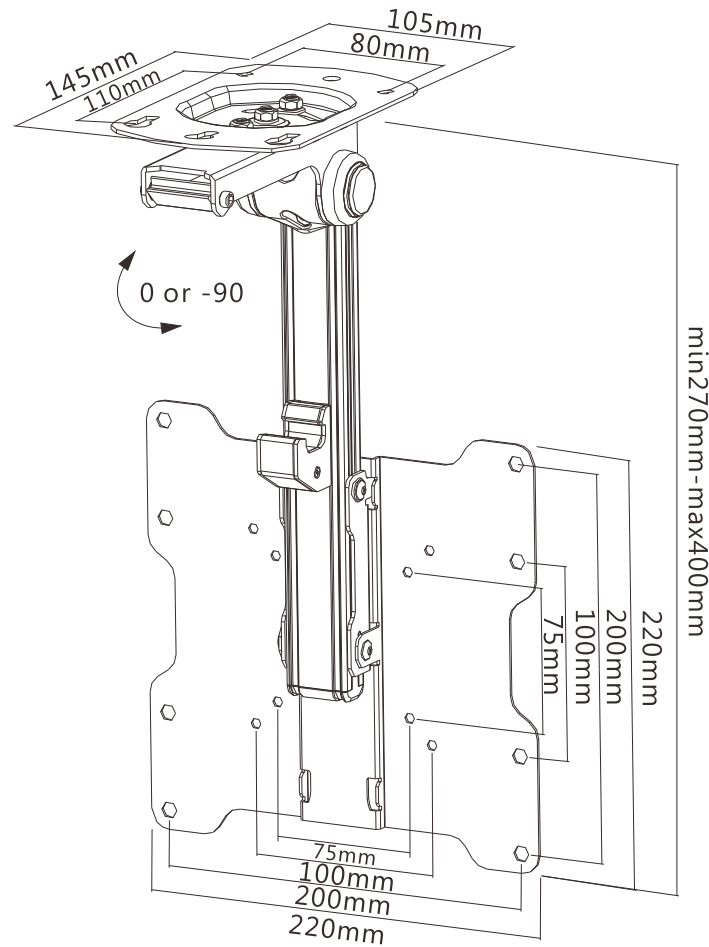
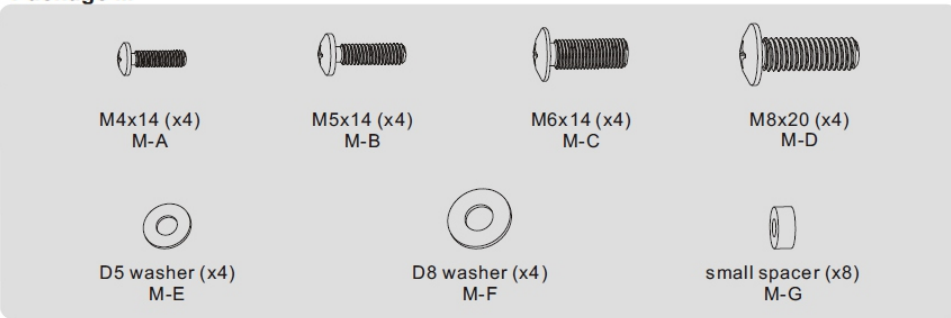


NOTE: ALL MATERIAL COMPLIANT ROHS STANDARD

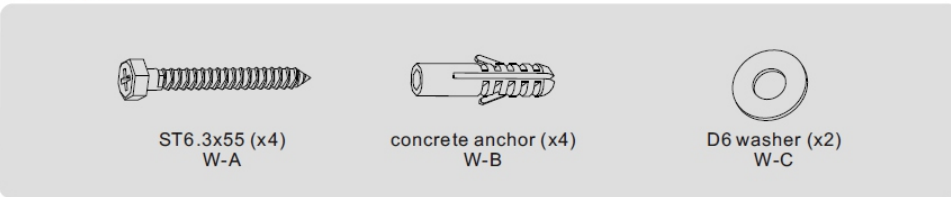
REVISION INFORMATION			
Rev.	Rev. Date	Modified By	Brief Description




**Package M**



**Package W**



NO.	PART NAME	SPECIFICATION DESCRIPTION	QTY	UNIT
③				
②				
①				



DRAWN BY	DATE: 2015/6/4	DESCRIPTION: Aluminum Folding LCD Mounts 17-37"
CHECKED BY	SHEET 1 of 1	ITEM NO. 502906
APPROVED BY	SCALE 1:1	REV. 00

UNIT: mm 