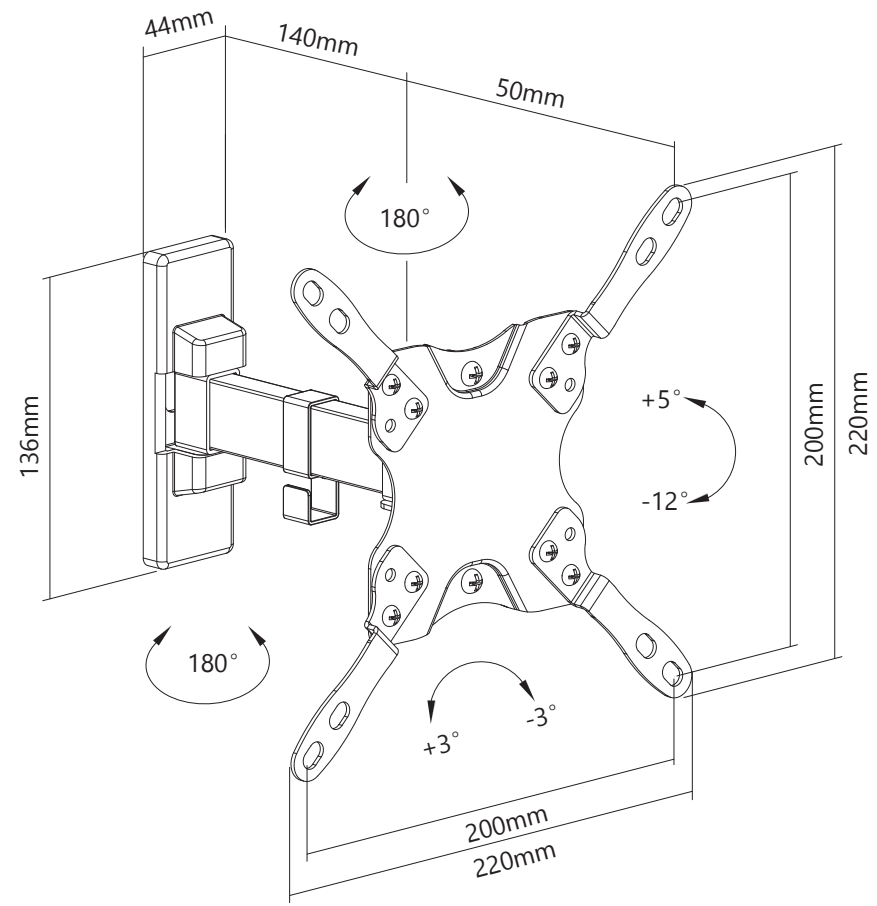
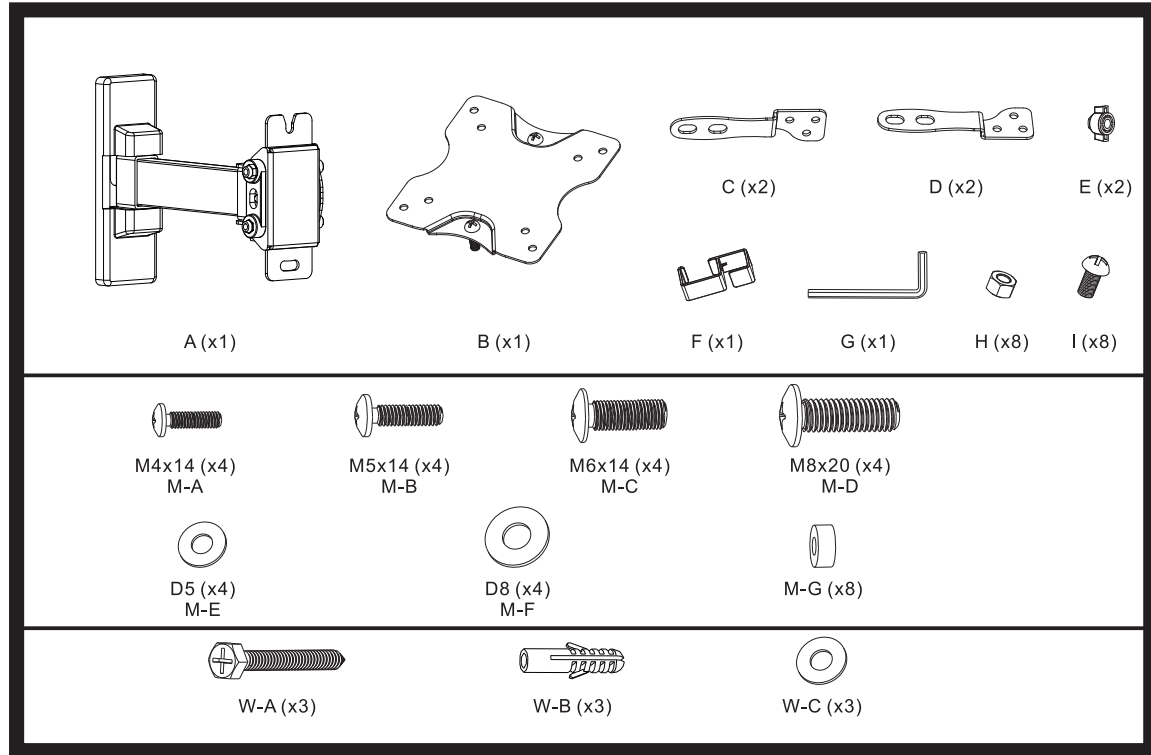


NOTE: ALL MATERIAL COMPLIANT ROHS STANDARD

REVISION INFORMATION

| Rev. | Rev. Date | Modified By | Brief Description |
|------|-----------|-------------|-------------------|
| | | | |



| NO. | PART NAME | SPECIFICATION DESCRIPTION | QT'Y | UNIT |
|-----|-----------|---------------------------|------|------|
| ③ | | | | |
| ② | | | | |
| ① | | | | |

Unless specified on the drawing, tolerances are per the follows:
 . +1
 .x +0.2
 .xx +0.05

| | | | |
|-------------|--------------------|--|---------|
| DRAWN BY | DATE: 2021/1/29 | DESCRIPTION: Full Motion TV Wall Mount LDA21-221 | |
| CHECKED BY | SHEET 1 of 1 | ITEM NO. 502682BK | |
| APPROVED BY | SCALE 1:1 | REV. 00 | UNIT:mm |

