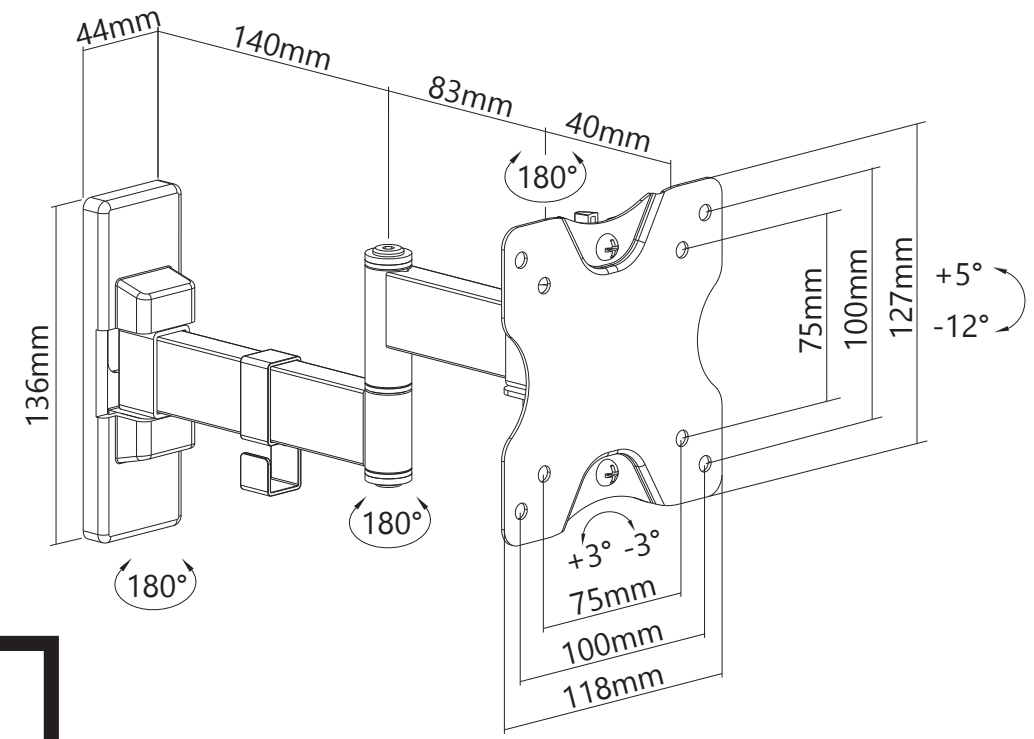


NOTE: ALL MATERIAL COMPLIANT ROHS STANDARD

REVISION INFORMATION			
Rev.	Rev. Date	Modified By	Brief Description



A (x1)	B (x1)	C (x2)	D (x1)	E (x1)	F (x1)
M4x14 (x4) M-A	M5x14 (x4) M-B	D5 (x4) M-C			
W-A (x3)	W-B (x3)	W-C (x3)			



NO.	PART NAME	SPECIFICATION DESCRIPTION	QT'Y	UNIT
③				
②				
①				

Unless specified on the drawing, tolerances are per the follows:  
 .                    +1  
 .x                  +0.2  
 .xx                +0.05

DRAWN BY	DATE: 2021/1/29	DESCRIPTION: Full Motion TV Wall Mount LDA21-112	
CHECKED BY	SHEET 1 of 1	ITEM NO. 502680BK	
APPROVED BY	SCALE 1:1	REV. 00	UNIT: mm

