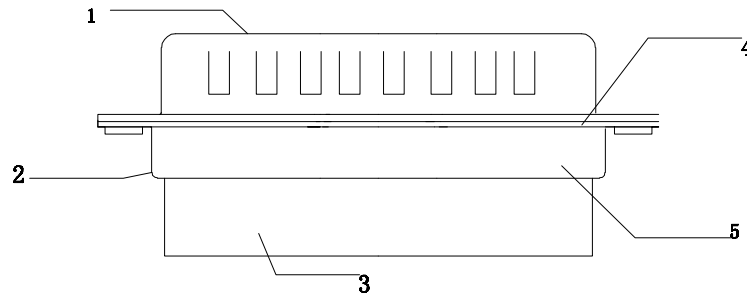
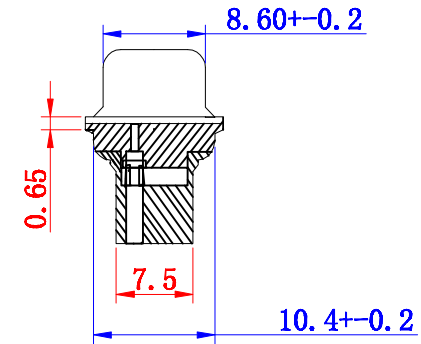
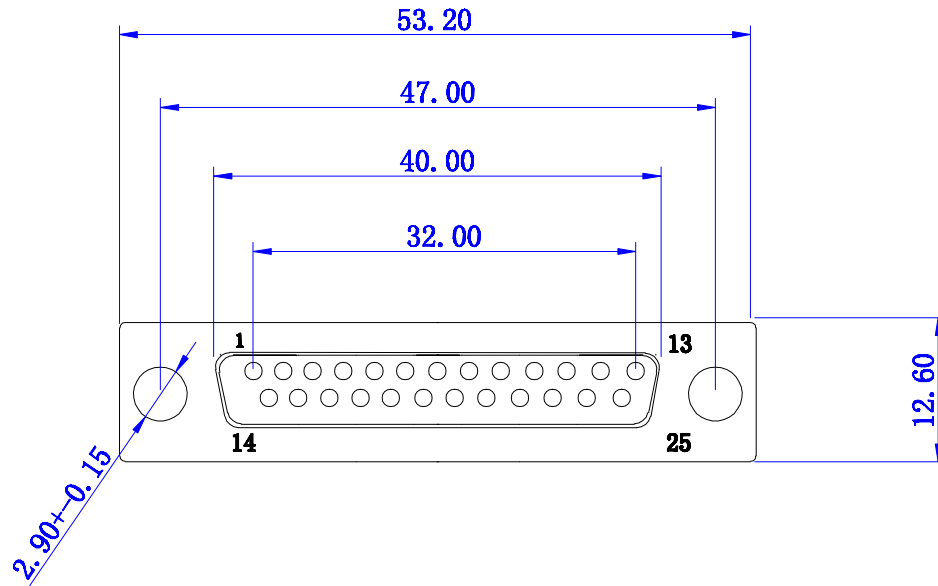


NOTE: ALL MATERIAL COMPLIANT ROHS STANDARD

REVISION INFORMATION

Rev.	Rev. Date	Modified By	Brief Description



- 1. PRIDUCT SERIES;DBW SILDER POT
- 2. CONTACT OPTION;2;RECEPTACCE
- 3. IRREGULAR CHANGES;0;STANDARD
- 4. POSITIOINS; DB25PIN
- 5. INSULATIOIN COLOR;SLUE

注：未注公差±0.2MM



DRAWN BY	DATE: 2012/7/8	DESCRIPTION: 打端式HDB25M	
CHECKED BY	SHEET 1 of 1	ITEM NO. 273103	
APPROVED BY	SCALE 1:1	REV. 00	UNIT: mm