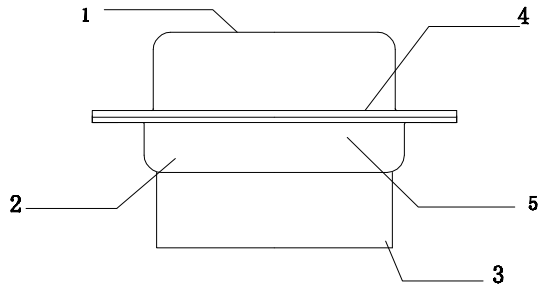
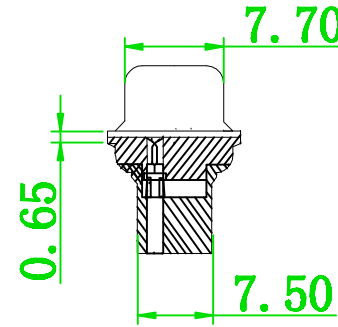
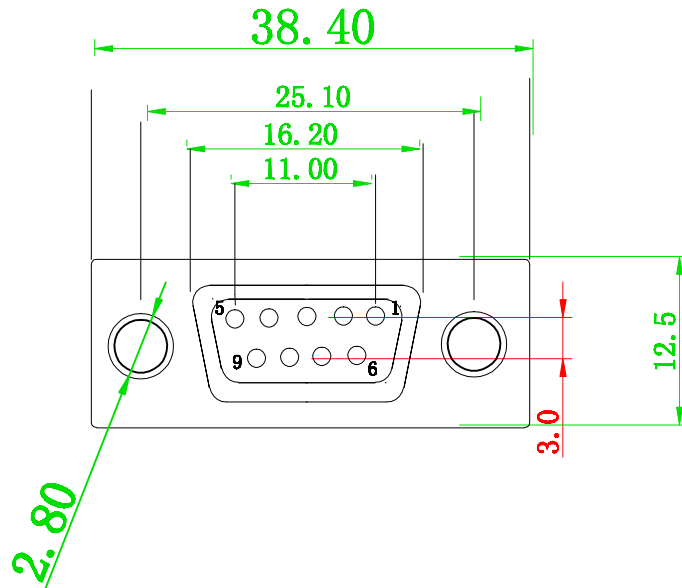


NOTE: ALL MATERIAL COMPLIANT ROHS STANDARD

REVISION INFORMATION

Rev.	Rev. Date	Modified By	Brief Description



- 1. PRIDUCT SERIES;DBW SILDER POT
- 2. CONTACT OPTION;2;RECEPTACCE
- 3. IRREGULAR CHANGES;0;STANDARD
- 4. POSITIOINS;9PIN
- 5. INSULATIOIN COLOR;SLUE

drawing force:above 0.8kg(based on terminal without deformation)



DRAWN BY	DATE: 2012/7/8	DESCRIPTION: DB9Female crimp pin connector		
CHECKED BY	SHEET 1 of 1	ITEM NO. 273102		
APPROVED BY	SCALE 1:1	REV. 00	UNIT: mm	