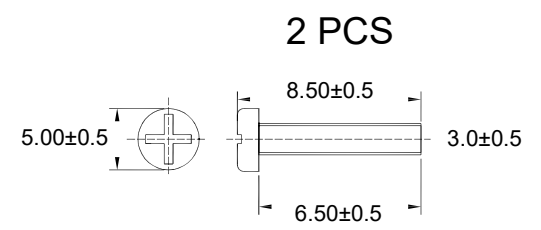
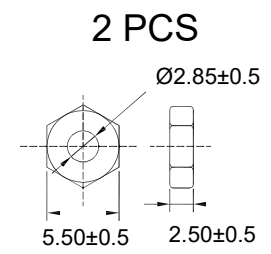
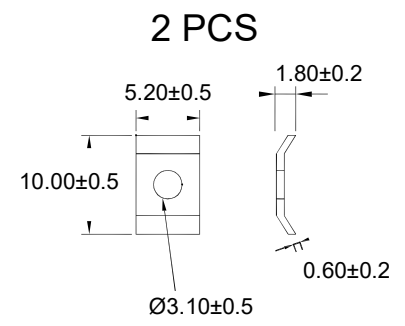
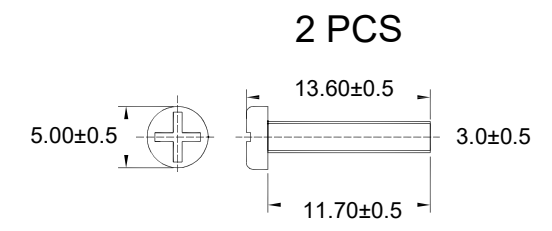
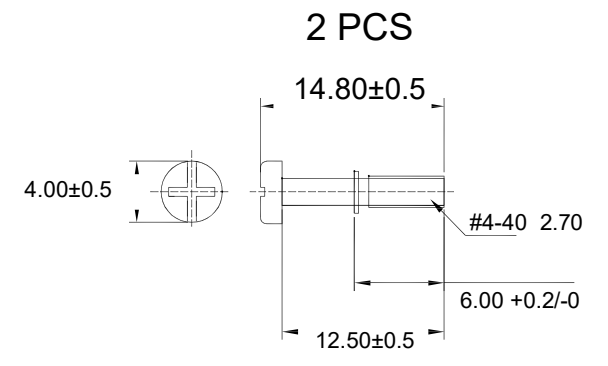
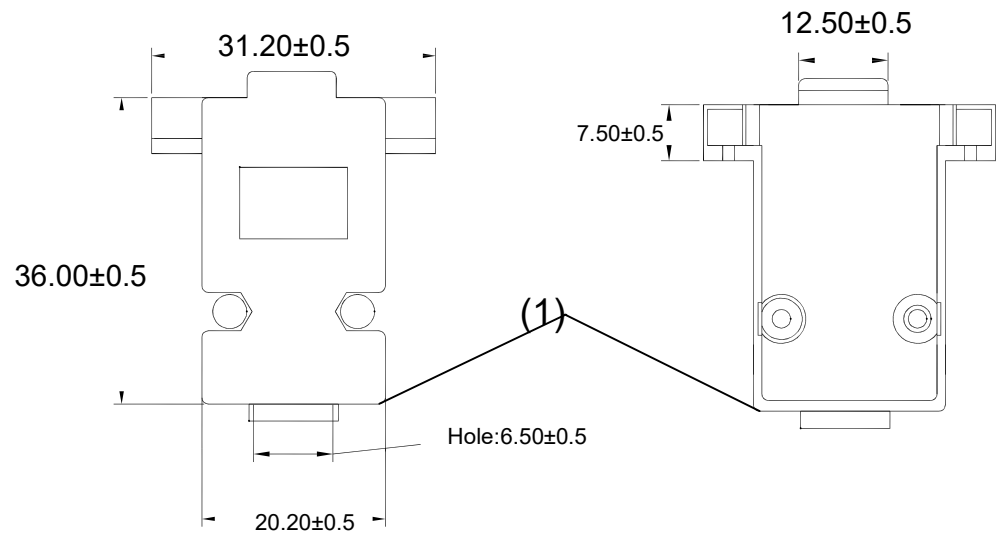


NOTE: ALL MATERIAL COMPLIANT ROHS STANDARD

REVISION INFORMATION			
Rev.	Rev. Date	Modified By	Brief Description
1.0	2022.04.07	Cheng Pu	DB9 Plastic Hoods Screw Type



NO.	PART NAME	SPECIFICATION DESCRIPTION	QTY	UNIT
③				
②				
①	Shall	ABS(Gray)	2	1

DRAWN BY Mr. Kuo	DATE: 2022.02.23	DESCRIPTION: DB9 Plastic Hoods Screw Type
CHECK BY Mr. Liu	SHEET 1 of 1	ITEM NO. 273030
APPROVED BY John Lee	SCALE 2:1	REV. 00 UNIT: mm