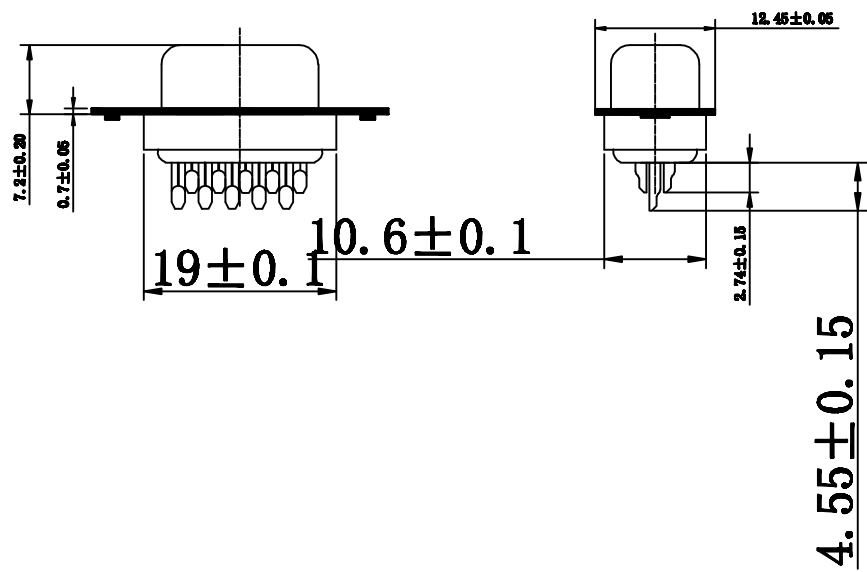
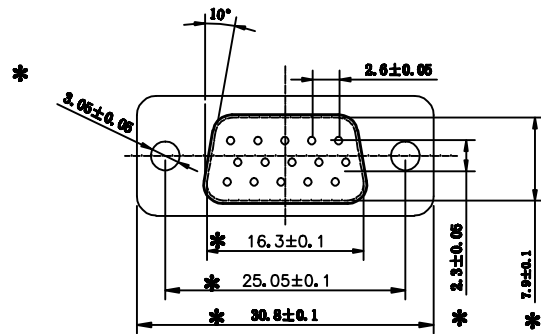


NOTE: ALL MATERIAL COMPLIANT ROHS STANDARD

REVISION INFORMATION

Rev.	Rev. Date	Modified By	Brief Description




ELECTRICAL CHARACTERISTICS:
 CONTACT CURRENT RATING : 1 AMP.
 DIELECTRIC WITHSTANDING VOLTAGE : AC 500V R.M.S.
 INSULATION RESISTANCE :
 500 MEGOHMS MINIMUM AT DC 500V.
 CONTACT RESISTANCE : 30 MILLIOHM MAXIMUM.
 OPERATING TEMPERATURE : -55°C TO+105°C.

MECHANICAL CHARACTERISTICS:
 CONTACT INSERTION FORCE :6.0MAX .
 CONTACT SEPARATION FORCE :4.0MIN.

MATERIALS:
 CONTACT: BRONZE.
 INSULATOR: P.B.T.UL 94V-0 BLACK.
 SHELL: COLD ROLLED STEEL.

FINISHES:
 CONTACTS :GOLD PLATED 30 μ”.

* QC for control of key sizes



DRAWN BY	DATE: 2012/7/8	DESCRIPTION: HDB15-F
CHECKED BY	SHEET 1 of 1	ITEM NO. 273004
APPROVED BY	SCALE 1:1	REV. 00 UNIT: mm