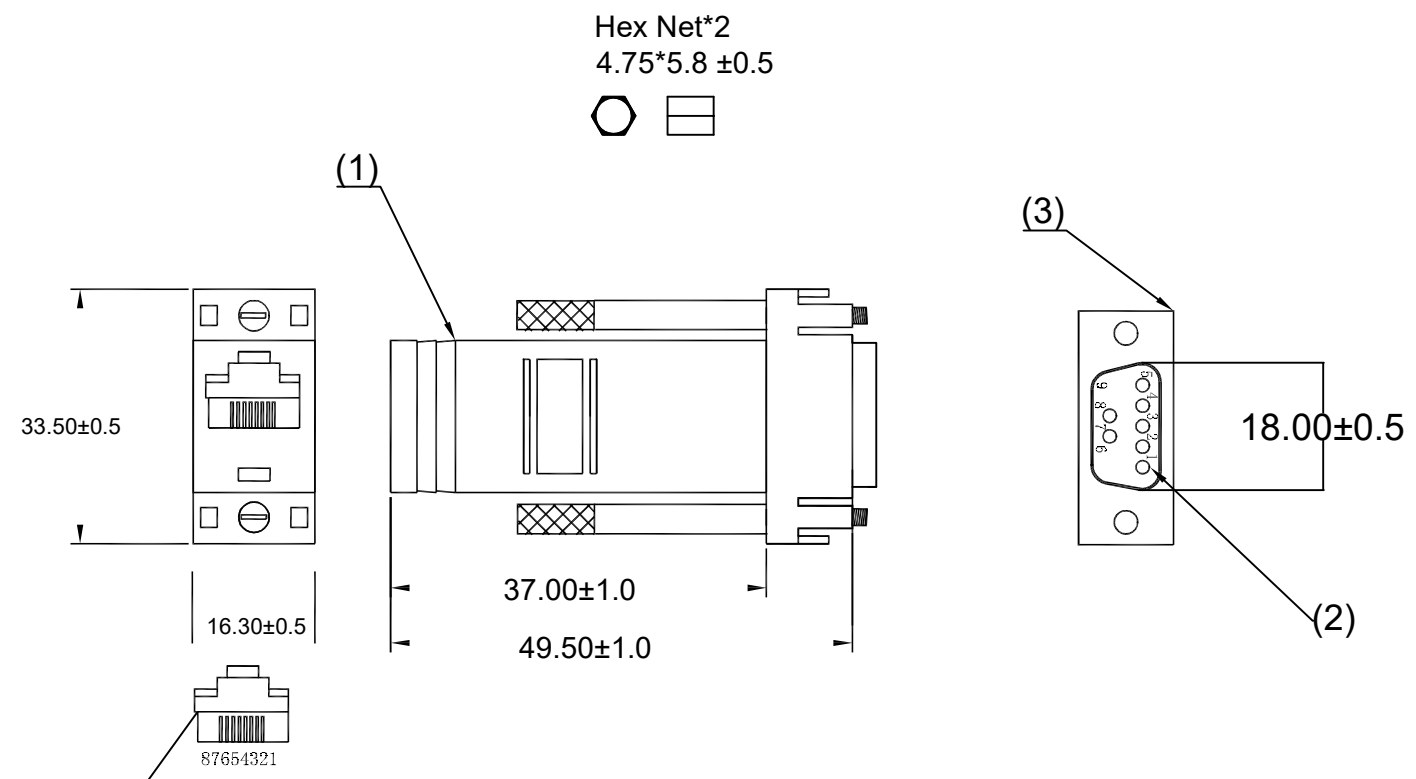


NOTE: ALL MATERIAL COMPLIANT ROHS STANDARD

REVISION INFORMATION			
Rev.	Rev. Date	Modified By	Brief Description
1.0	2022.04.07	Cheng Pu	DB9 M/RJ45 Modular Adapter w/Hex Nut



Signal Instruction

- 1 _____ Blue
- 2 _____ Orange
- 3 _____
- 4 _____ Red
- 5 _____ Green
- 6 _____ Yellow
- 7 _____ Brown
- 8 _____ White

Remark:
 RJ45 shell: 8P8C/ABS/Ivory
 Screws: M4*37.00 mm iron with nickel plated
 Hex Nut: 4.75*5.8 ±0.5
 DB connector: DB9 female with steel / nickel and tin plated shell, and black ABS insulator



NO.	PART NAME	SPECIFICATION DESCRIPTION	QTY	UNIT
③	Jack	DB9P/Iron with nickel plated	1	1
②	Conductor	Copper(Gold plated)	7	1
①	Shall	ABS(Gray)	1	1

DRAWN BY Mr. Kuo	DATE: 2022.02.23	DESCRIPTION: DB9 Male to RJ45 Preassembled Modular Adapter w/Hex Nut	
CHECK BY Mr. Liu	SHEET 1 of 1	ITEM NO.	272010
APPROVED BY John Lee	SCALE 2:1	REV. 00	UNIT: mm