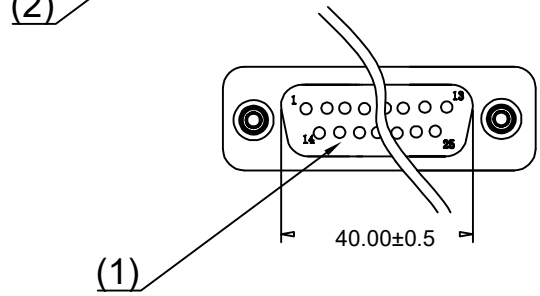
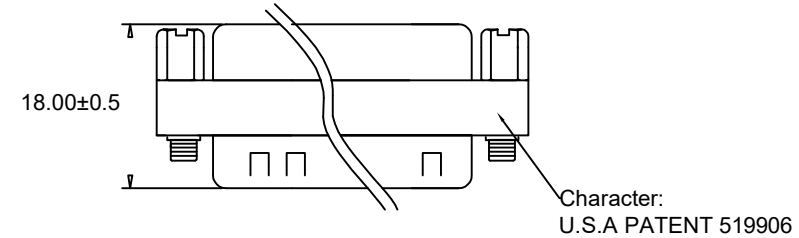
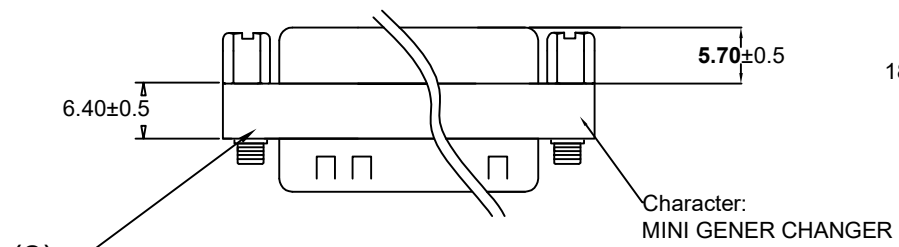
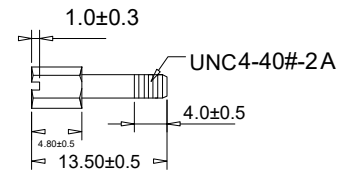
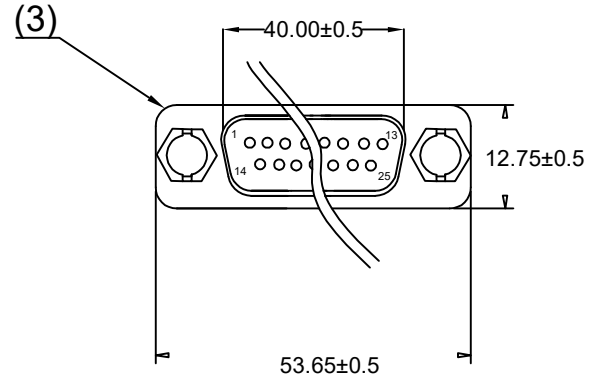


NOTE: ALL MATERIAL COMPLIANT ROHS STANDARD

REVISION INFORMATION			
Rev.	Rev. Date	Modified By	Brief Description
1.0	2022.04.07	Cheng Pu	DB25 M/M Gender Changer



PIN ASSIGNMENT

HDB25F	HDB25F
1	1
2	2
3	3
4	4
5	5
6	6
7	7
...	...
24	24
25	25

Electronic data:
 Rating Current : 3 Amp
 Insulation Resistance: 1000MΩ min at 500 VDC
 Dielectric Strength: 1000V for 1 minute
 Operation Temperature: -55-+105°C

NO.	PART NAME	SPECIFICATION DESCRIPTION	QTY	UNIT
③	Jack	DB15P Female/SPCC with nickel plate	1	1
②	Label	Yellow color black character	1	1
①	Contactors	Brass Gold flash over Nickel Plated	25	1

DRAWN BY Mr. Kuo	DATE: 2022.02.23	DESCRIPTION: DB25 Male/Male Mini Gender Changer
CHECK BY Mr. Liu	SHEET 1 of 1	ITEM NO. 271005
APPROVED BY John Lee	SCALE 2:1	REV. 00 UNIT: mm