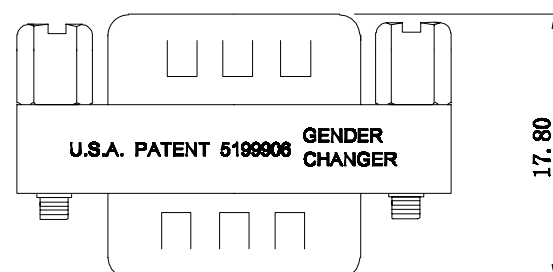
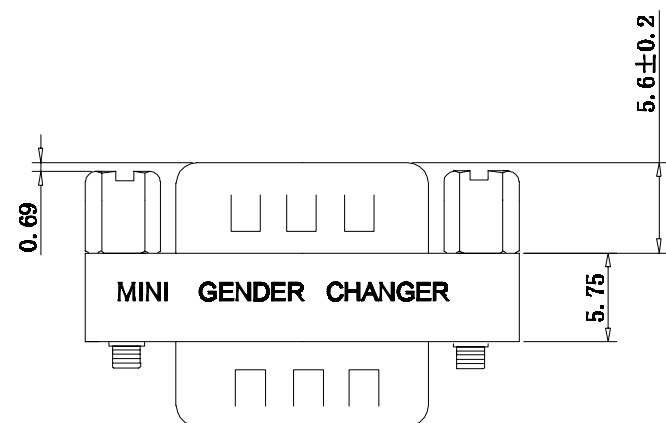
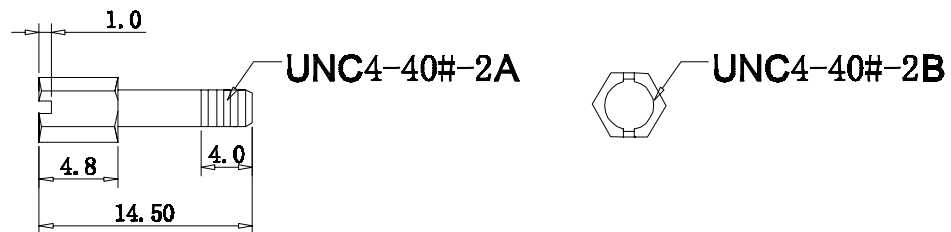
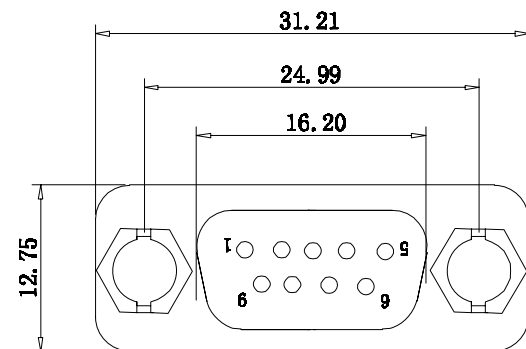


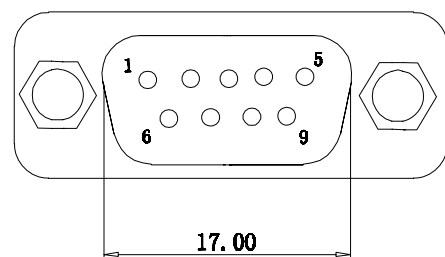
NOTE: ALL MATERIAL COMPLIANT ROHS STANDARD

REVISION INFORMATION

Rev.	Rev. Date	Modified By	Brief Description



**Specification:**  
 Rating Current: 3 AMP  
 Insulation Resistance: 1000M Ohm min. at 500V DC  
 Dielectric Strength: 1000V AC for one minute.  
 Temperature: -55°C~+105°C  
 Contact: Brass Gold flash over Nickel Plated  
 Shell: SPCC Nickel Plated  
 Insulator: PBT+30%GF Blue  
 Screw: Steel 12L14 Nickel Plated  
 Label: Yellow color black character  
 One Side: MINI GENDER CHANGER  
 Other Side: U.S.A PATENT 519906



PIN ASSIGNMENT

DB9M	DB9M
1	1
2	2
3	3
4	4
5	5
6	6
7	7
8	8
9	9

NO.	PART NAME	SPECIFICATION DESCRIPTION	QTY	UNIT

Unless specified on the drawing, tolerances are per the follows:

.	+1
.X	+0.2
.XX	+0.05



DRAWN BY	DATE: 2021/04/09	DESCRIPTION: DB9 M/M Mini Gender Changer
CHECKED BY	SHEET 1 of 2	ITEM NO. 271001
APPROVED BY	SCALE None	REV. 0.0 UNIT:mm

