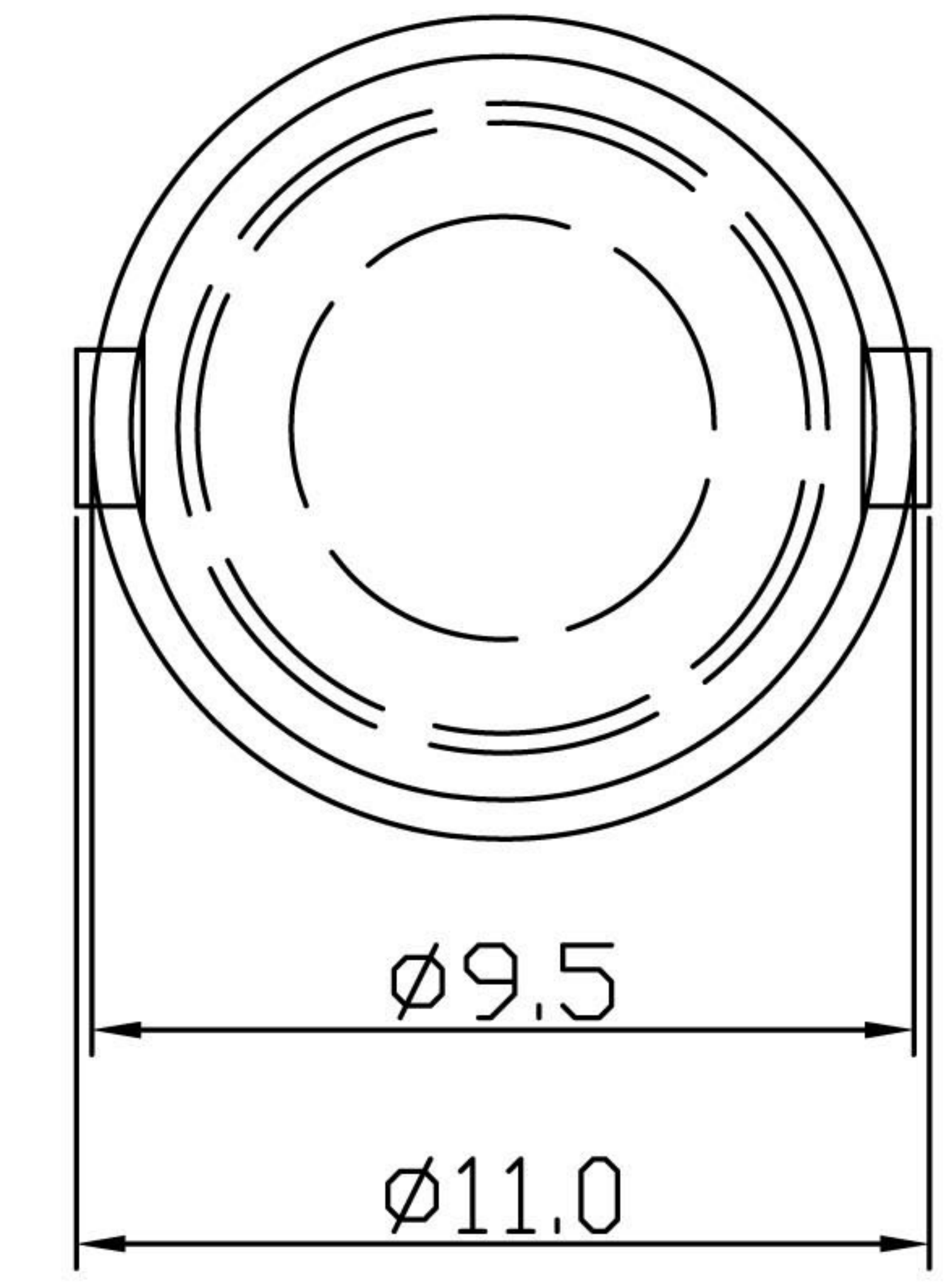
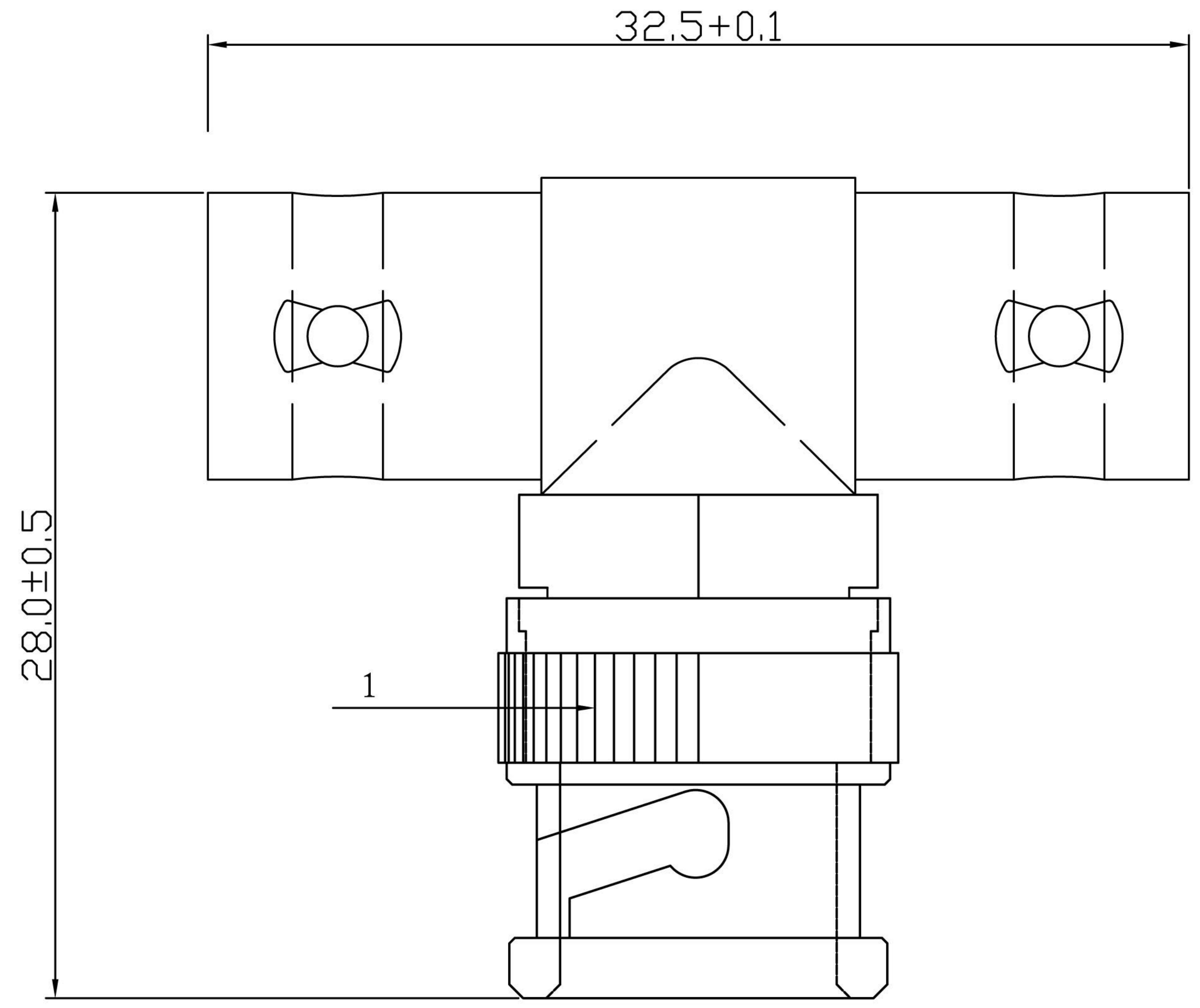


NOTE: ALL MATERIAL COMPLIANT ROHS STANDARD

REVISION INFORMATION			
Rev.	Rev. Date	Modified By	Brief Description



NO.	PART NAME	SPECIFICATION DESCRIPTION	QT'Y	UNIT
1	SHELL	BRASS / NICKEL	1	1

DRAWN BY	DATE: 2011/12/31	DESCRIPTION: BNC T TYPE		
CHECKED BY	SHEET 1 of 1	ITEM NO. 270209		
APPROVED BY	SCALE 1:1	REV. 00	UNIT: mm	