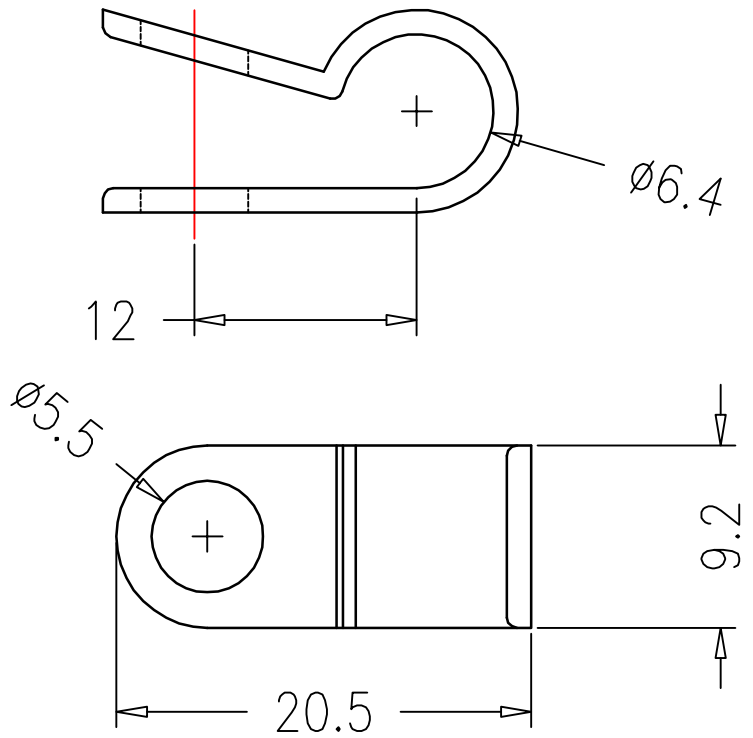



NOTE:ALL MATERIAL COMPLIANT ROHS STANDARD

REVISION INFORMATION			
Rev.	Rev.Date	Modified By	Brief Description



③				
②				
①	220303CL	R Type Cable Clamp 1 / 4 " Clear		
NO.	PARTNAME	SPECIFICATION DESCRIPTION	QTY	UNIT


BestLinkNetworkware

DRAWN BY	DATE: 2012/7/1	DESCRIPTION: R Type Cable Clamp 1 / 4 "
CHECKED BY	SHEET 1 of 1	ITEM NO. 1/4R
APPROVED BY	SCALE 1:1	REV. 00 UNIT:mm

