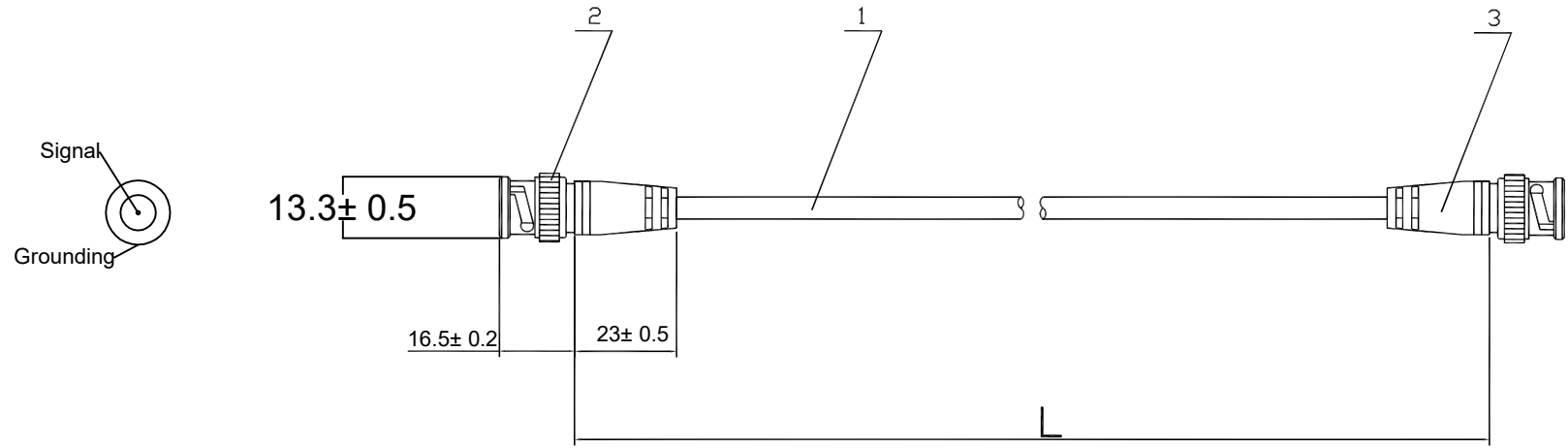
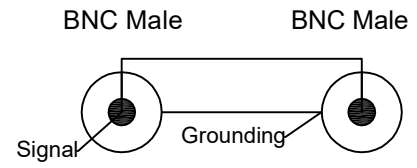


NOTE: ALL MATERIAL COMPLIANT ROHS STANDARD

REVISION INFORMATION			
Rev.	Rev. Date	Modified By	Brief Description
1.0	2022.04.07	Cheng Pu	RG59 Cable with BNC Male Connector



Connection



ELECTRICAL TESTING
 1. CONDUCTOR RESISTANCE: ≤5Ω 300V DC

Item #	Length(L)
202356	3FT / 915 ± 30 mm
202350	6FT / 1830 ± 30 mm
202351	12FT / 3660 ± 80 mm
202352	25FT / 7620 ± 80 mm
202353	50FT / 15240 ± 100 mm
202355	75FT / 22860 ± 150 mm
202354	100FT / 30480 ± 150 mm



NO.	PART NAME	SPECIFICATION DESCRIPTION	QTY	UNIT
③	Molding	PVC(Black)	2	1
②	Plug	BNC Male	2	1
①	Cable	RG59,1/0.6+FMPE3.5+32/0.12CCS, OD:5.8	1	1

DRAWN BY Mr. Kuo	DATE: 2022.02.23	DESCRIPTION: RG59 Cable with BNC Male Connector
CHECK BY Mr. Liu	SHEET 1 of 1	ITEM NO. 202350/1/2/3/4/5/6
APPROVED BY John Lee	SCALE 2:1	REV. 00 UNIT: mm