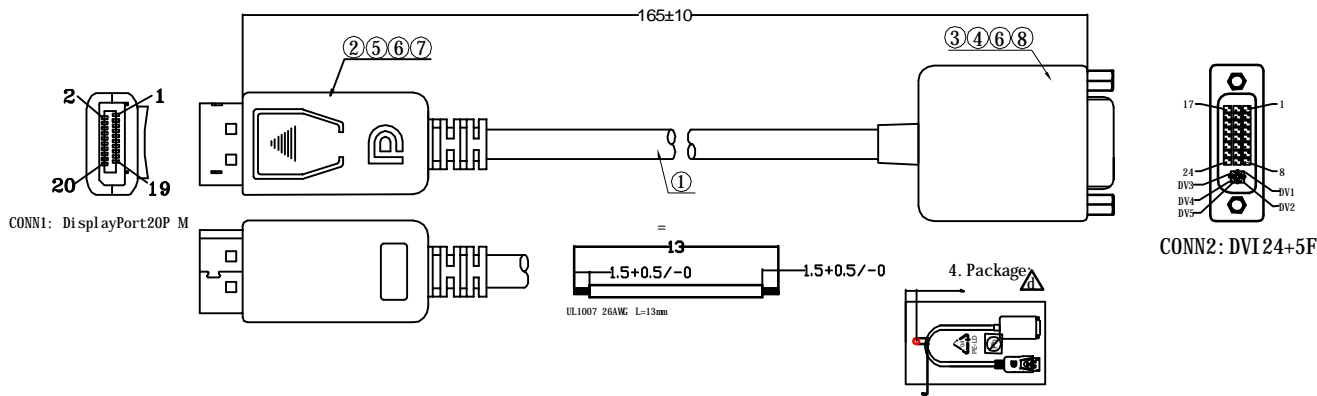


NOTE: ALL MATERIAL COMPLIANT ROHS STANDARD

REVISION INFORMATION

Rev.	Rev. Date	Modified By	Brief Description



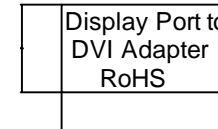
1.Pin Assignment:

CONN1	CONN2	CONN1	CONN2
2-----2 Ground	8-----8 Ground		
1-----1 Red	10-----10 Blue		
3-----3 White	12-----12 White		
5-----5 Ground	16-----16 Ground		
4-----4 Brown	15-----15 Black		
6-----6 White	17-----17 White		
11-----11 Ground	18-----18 Yellow		
7-----7 Green	13-----13 White		
9-----9 White	14-----14 Purple		
	19-----19 Green		
	20-----20 Red		
	G-----GND		

2.Electricity Test:

- A.Voltage: DC 300V/10ms
- B.Insulation Resistance:≥10MΩ
- C.Conduct Resistance:≤3Ω

Label:



NO.	PART NAME	SPECIFICATION DESCRIPTION	QTY	UNIT
③	Connector	DVI Female Golden Plated	1	PC
②	Connector	Displayport(M) Golden Plated	1	Set
①	Wire	UL20276[32AWG(7/0.08TA)*1P+E(7/0.08TA)AM]*5+32AWG(7/0.08TA)*5C+AE(7/0.08BA)B(16*7/0.12 AL) 85% OD:4.8 L=137mm(RoHS)	1	PC

DRAWN BY	DATE: 2012/08/14	DESCRIPTION: DP M TO DVI F Adapter		
CHECKED BY	SHEET 1 of 1	ITEM NO. 184034		
APPROVED BY	SCALE 1:1	REV. 00	UNIT: mm	